

**overview**

- 2 mm
- PNP break function (NC)
- connector M8
- -25 ... 75 °C
- IP 67



**Technical data**

**general data**

mounting type	flush
nominal sensing distance S <sub>n</sub>	2 mm
hysteresis	3 ... 20 % of S <sub>r</sub>
output indicator	3 port LED red

**electrical data**

switching frequency	< 5 kHz
voltage supply range +V <sub>s</sub>	10 ... 30 VDC
current consumption max. (no load)	12 mA
output circuit	PNP break function (NC)
voltage drop V <sub>d</sub>	< 2 VDC
output current	< 200 mA

**electrical data**

short circuit protection	yes
reverse polarity protection	yes

**mechanical data**

type	cylindrical threaded
material (sensing face)	PBT
housing material	stainless steel
dimension	8 mm
housing length	46 mm
connection types	connector M8
tightening torque max.	10 Nm (Front: 7 Nm)

**ambient conditions**

operating temperature	-25 ... +75 °C
protection class	IP 67

**remarks**

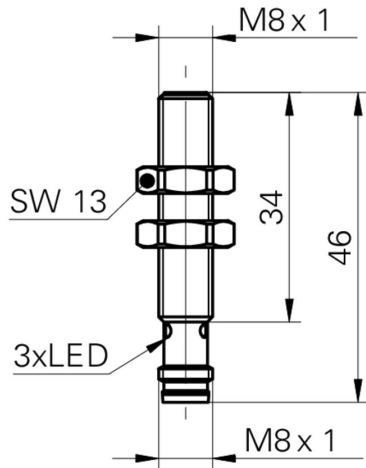
- long robust steel housings
- high switching frequency

# IFRM 08P37A1/S35L

Inductive proximity switch - miniature

Article number: 10141536

## dimension drawing



## connection diagram

