

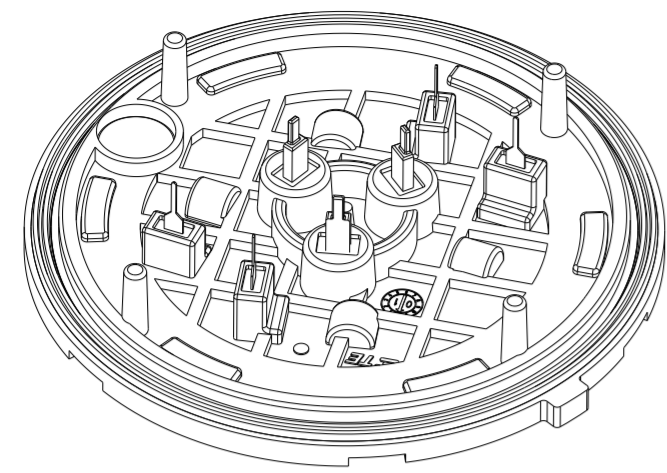
REVISIONS					
P	LTR	DESCRIPTION	DATE	DWN	APVD
A		ECN-21-128048	24NOV2021	CD	MM
A1		REVISED PER ECR-21-125168	23DEC2021	SD	CD

1 MATERIALS:  
 HOUSING: PBT  
 GASKET: TPE  
 DIMMING CONTACTS (QTY. 2/4): COPPER ALLOY  
 LINE VOLTAGE CONTACTS (QTY. 3): COPPER ALLOY  
 MEMBRANE VENT: PTFE

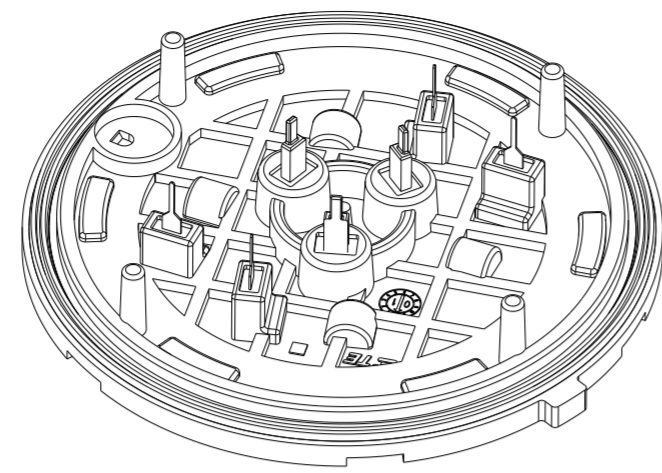
2 FINISH:  
 DIMMING CONTACTS: NICKEL UNDERPLATE ENTIRE  
 CONTACT 0.127 µm MIN THICK. SELECTIVE GOLD PLATE CONTACT  
 MATING AREA (MATING FACE SIDE ONLY) 0.76 µm MIN THICK.  
 MATTE TIN PLATE TAB ON BOTH SIDES 0.30 µm MIN THICK.  
 LINE VOLTAGE CONTACTS: MATTE TIN PLATE

3 MATING INTERFACE PER ANSI C136.41-2013.

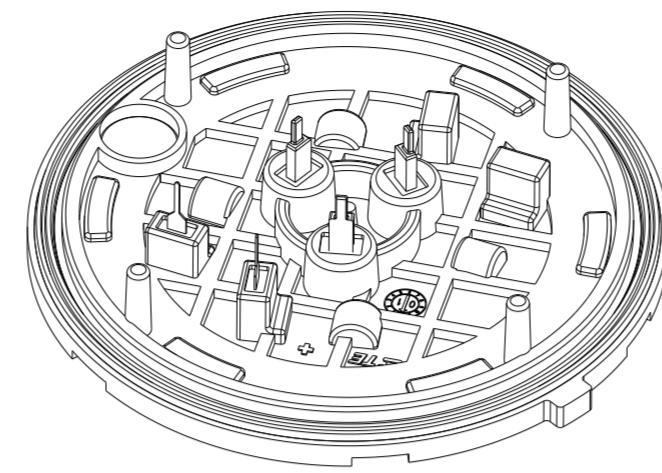
- 4. THIS PRODUCT HAS NOT COMPLETED VALIDATION TESTING.
- 5. MATING COVER; TE P/N: 2359615-X



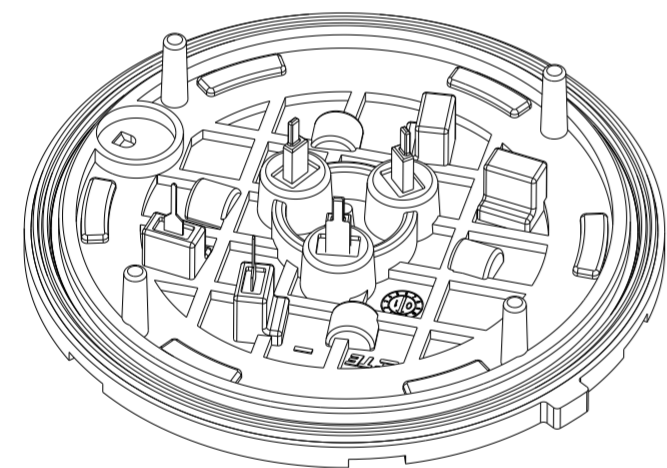
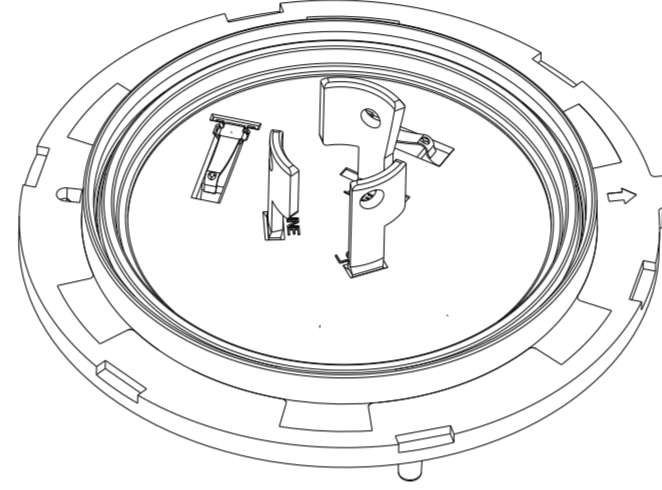
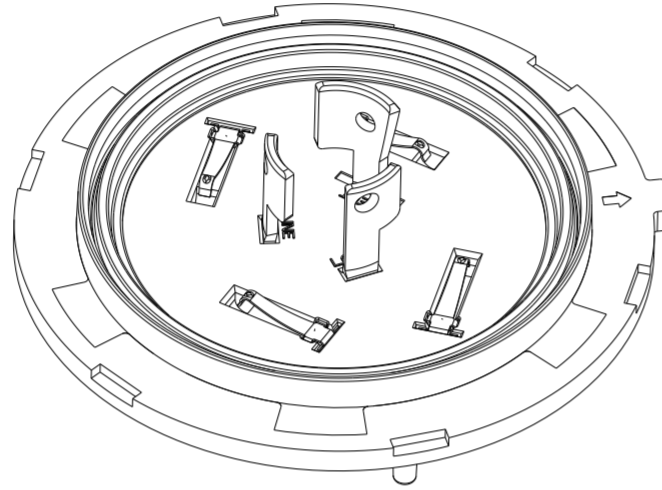
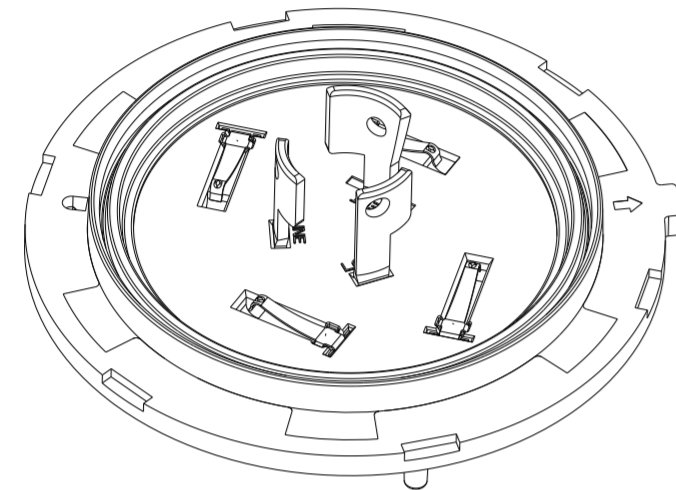
2359482-1 SHOWN



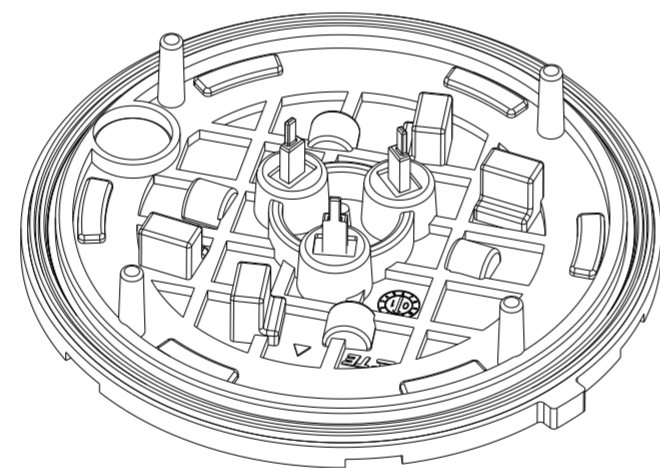
2359482-2 SHOWN



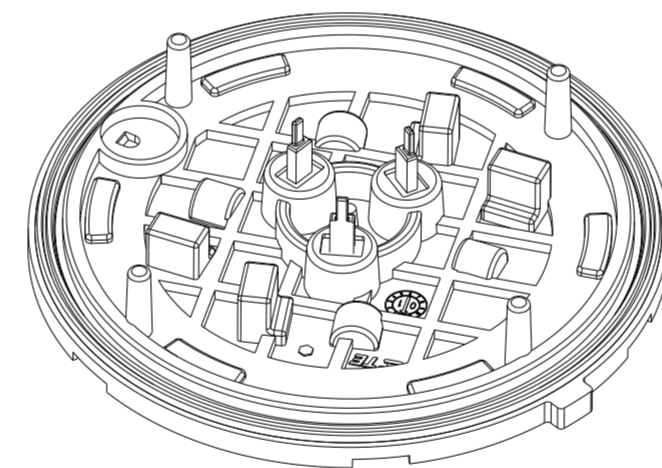
2359482-3 SHOWN



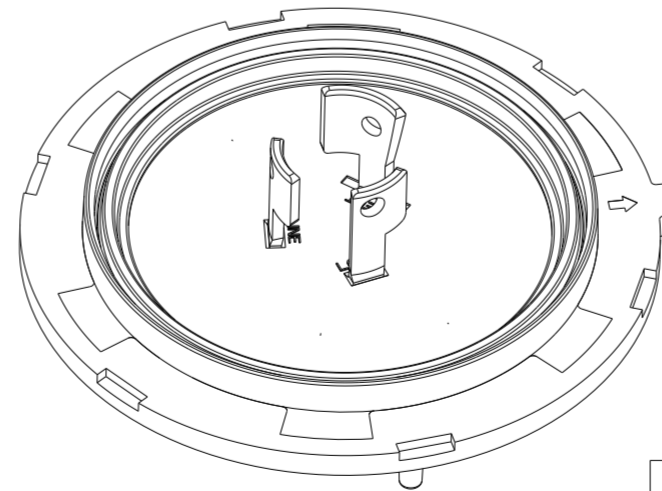
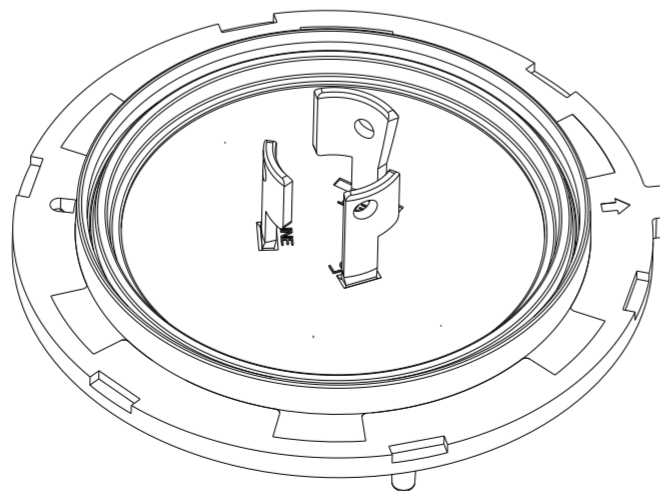
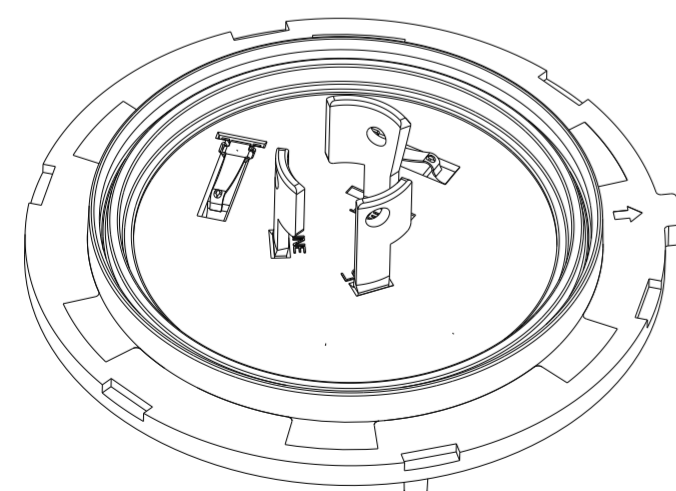
2359482-4 SHOWN




2359482-5 SHOWN



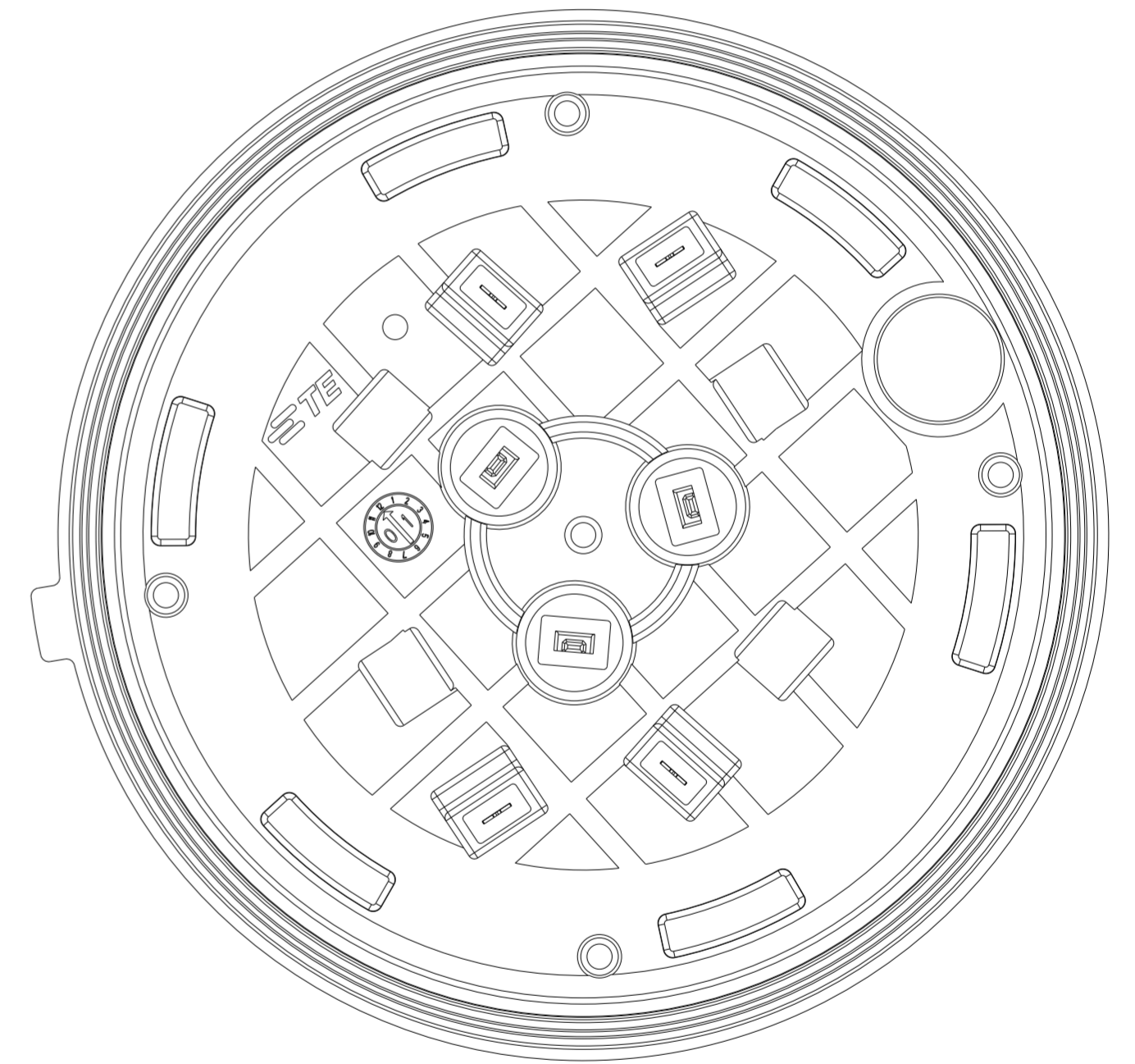
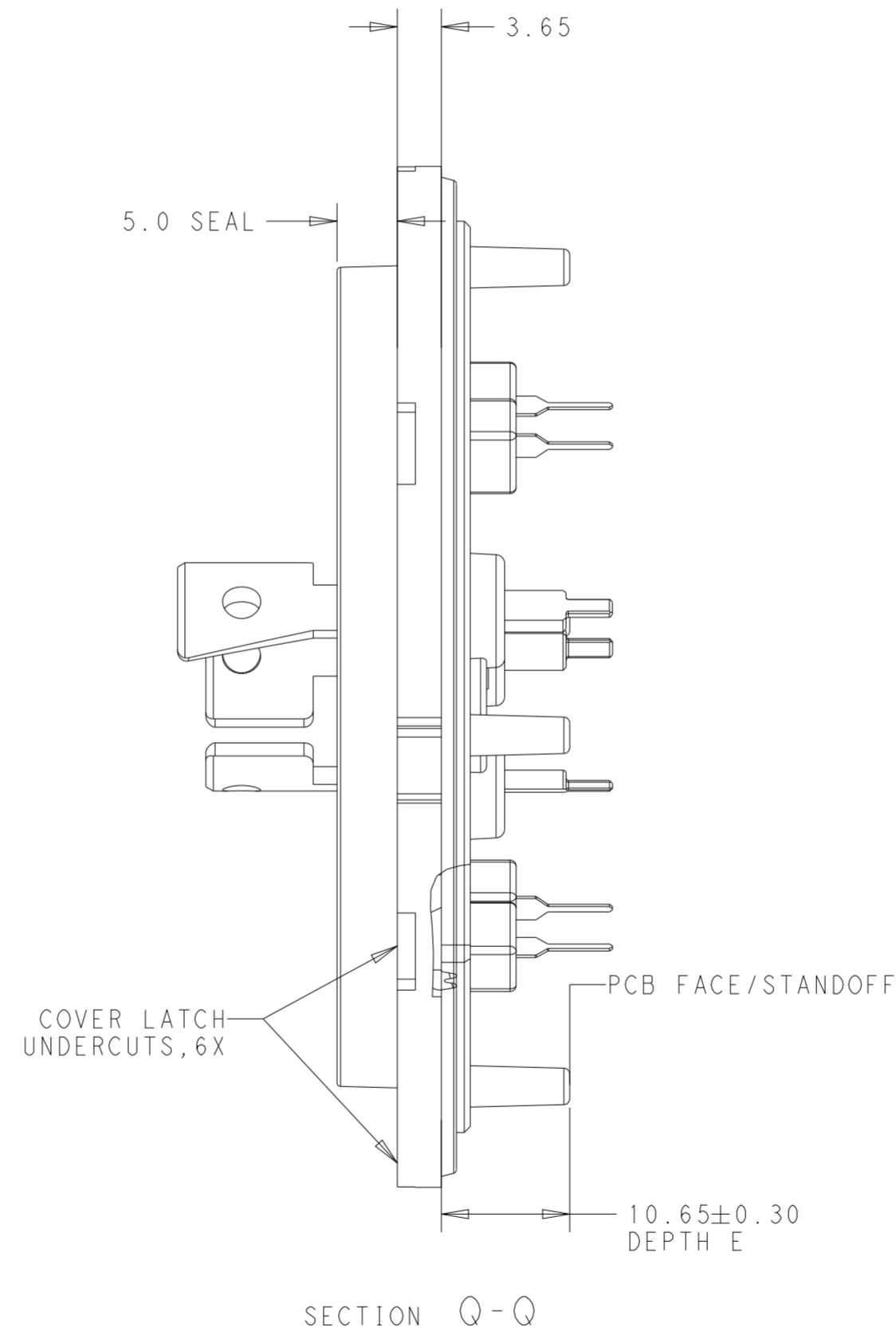
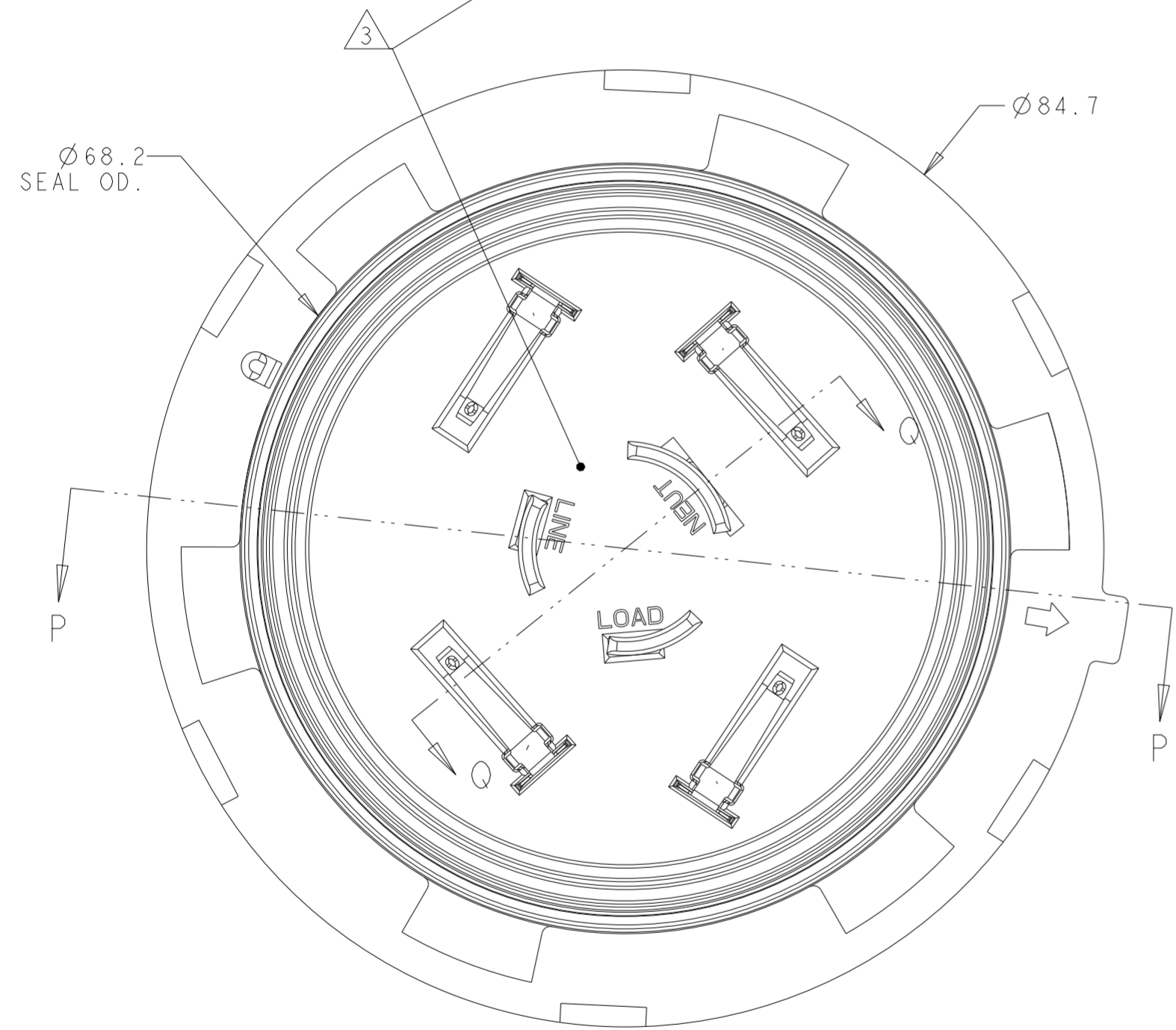
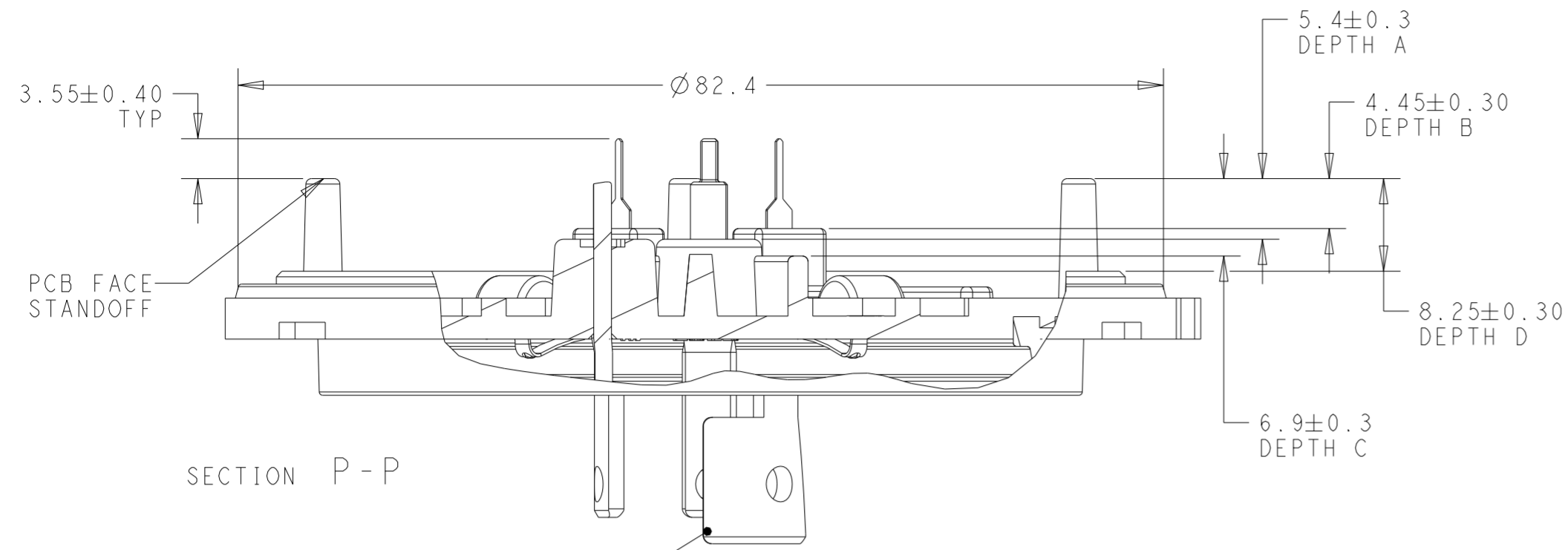
2359482-6 SHOWN



WITHOUT VENT	3	2359482-6
WITH VENT	3	2359482-5
WITHOUT VENT	5	2359482-4
WITH VENT	5	2359482-3
WITHOUT VENT	7	2359482-2
WITH VENT	7	2359482-1
REMARKS	CONTACT POSITIONS	PART NO.

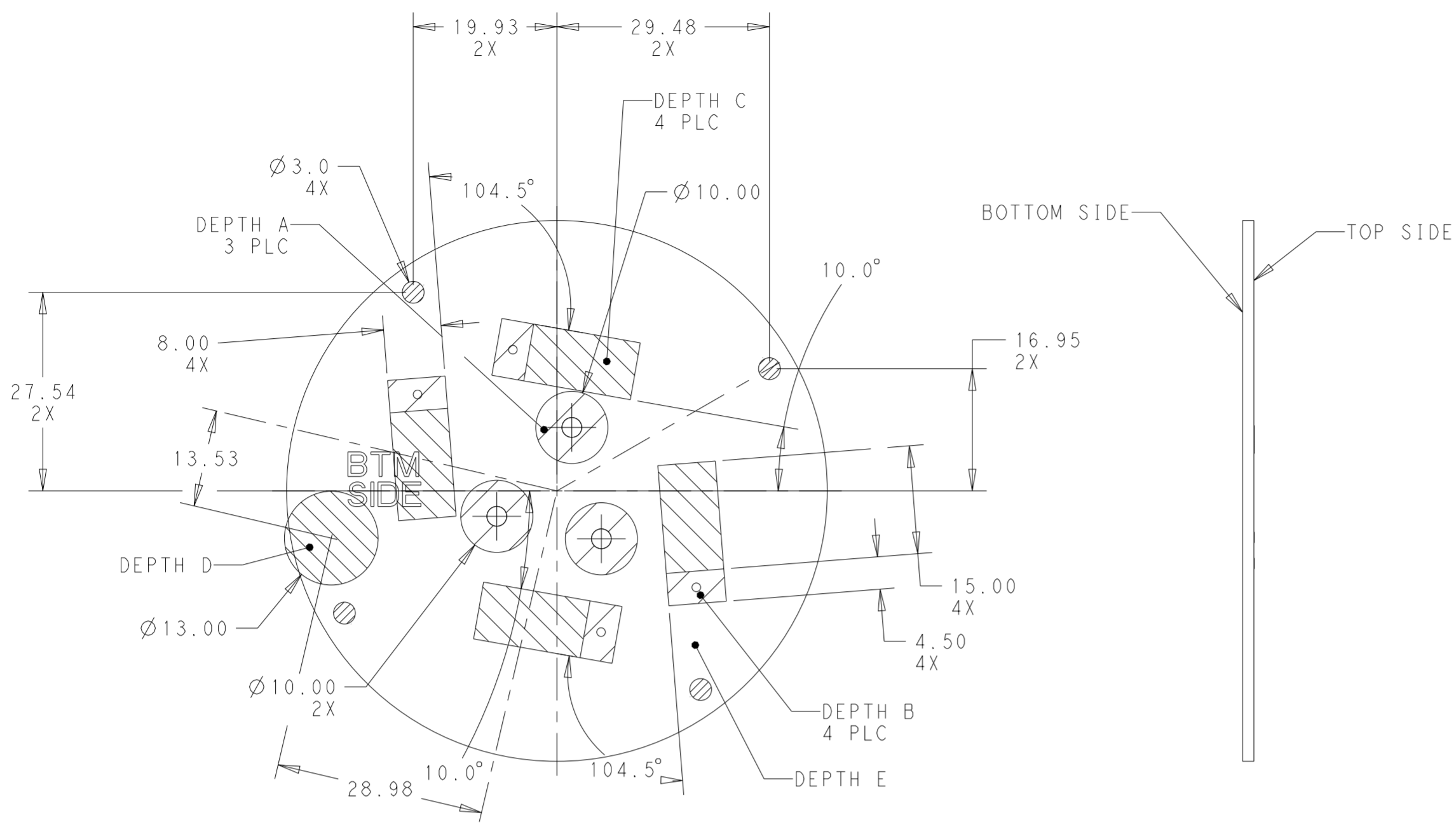
THIS DRAWING IS A CONTROLLED DOCUMENT.		DWN C. DAILY 18NOV2019	 TE Connectivity	
		CHK J. LATORRE 18NOV2019		
DIMENSIONS:	TOLERANCES UNLESS OTHERWISE SPECIFIED:	APVD	NAME	
mm	0 PLC ± 1 PLC ±0.2 2 PLC ±0.13 3 PLC ± 4 PLC ±	-	BASE ASSEMBLY, LIGHT CONTROLLER, LUMAWISE ENDURANCE N GEN 2	
	ANGLES ±1°	PRODUCT SPEC	SIZE	CAGE CODE
	FINISH	108-32606	A2	-
MATERIAL		APPLICATION SPEC	DRAWING NO	RESTRICTED TO
1	2	114-32363	C-2359482	-
		WEIGHT	SCALE	SHEET
		-	1:1	1 OF 4
		CUSTOMER DRAWING	REV	A1

P	LTR	DESCRIPTION	DATE	DWN	APVD
-	-	SEE SHEET 1	-	-	-



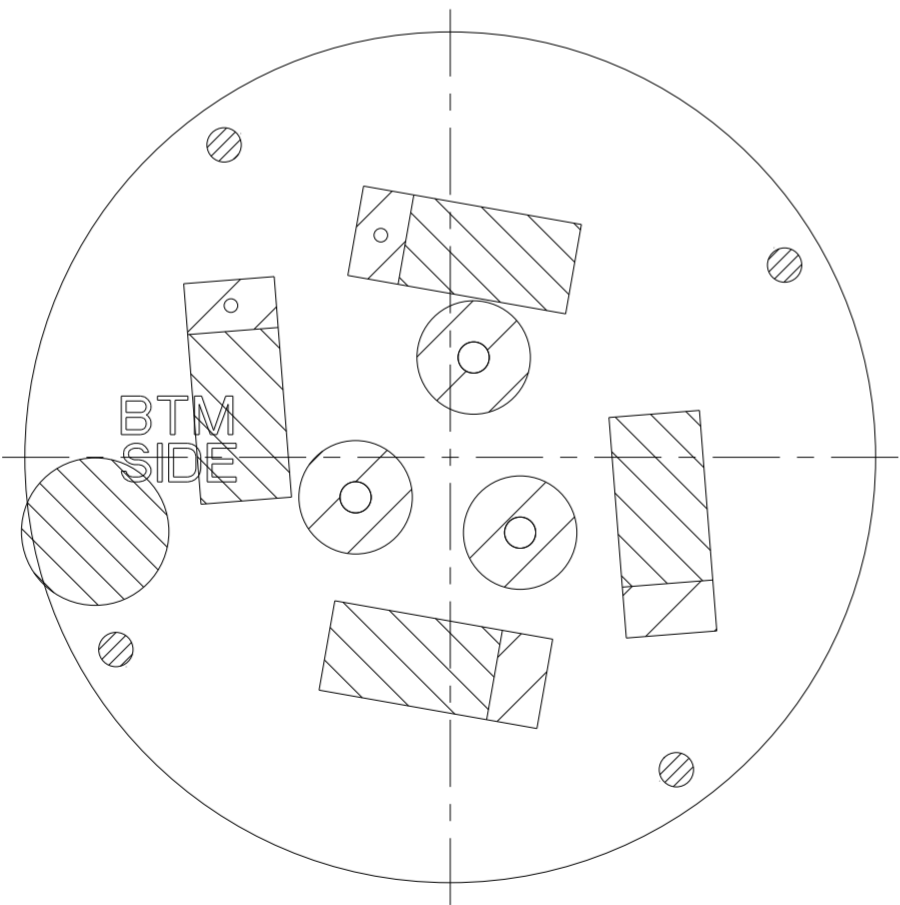
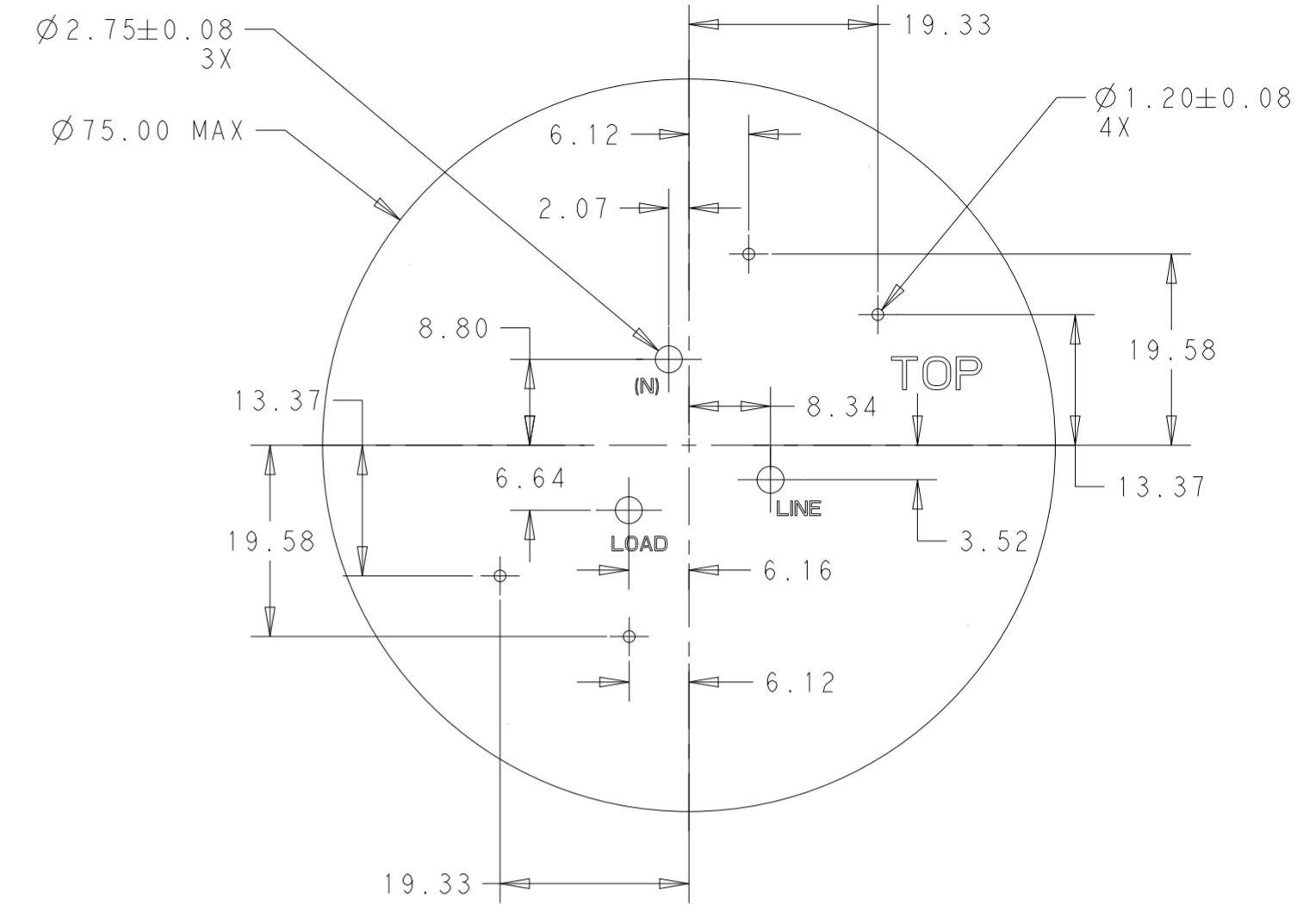
THIS DRAWING IS A CONTROLLED DOCUMENT.		DWN C DAILY 18NOV2019	TE Connectivity	
		CHK J LATORRE 18NOV2019		
DIMENSIONS: mm		APVD -	NAME BASE ASSEMBLY, LIGHT CONTROLLER, LUMAWISE ENDURANCE N GEN 2	
TOLERANCES UNLESS OTHERWISE SPECIFIED: 0 PLC ± 1 PLC ±0.2 2 PLC ±0.13 3 PLC ± 4 PLC ± ANGLES ±1° FINISH		PRODUCT SPEC 108-32606	SIZE A2	
MATERIAL 1		APPLICATION SPEC 114-32363	CAGE CODE -	DRAWING NO C-2359482
		WEIGHT -	RESTRICTED TO -	
		CUSTOMER DRAWING	SCALE 1:1	SHEET 2 OF 4
			REV A1	

REVISIONS					
P	LTR	DESCRIPTION	DATE	DWN	APVD
-	-	SEE SHEET 1	-	-	-



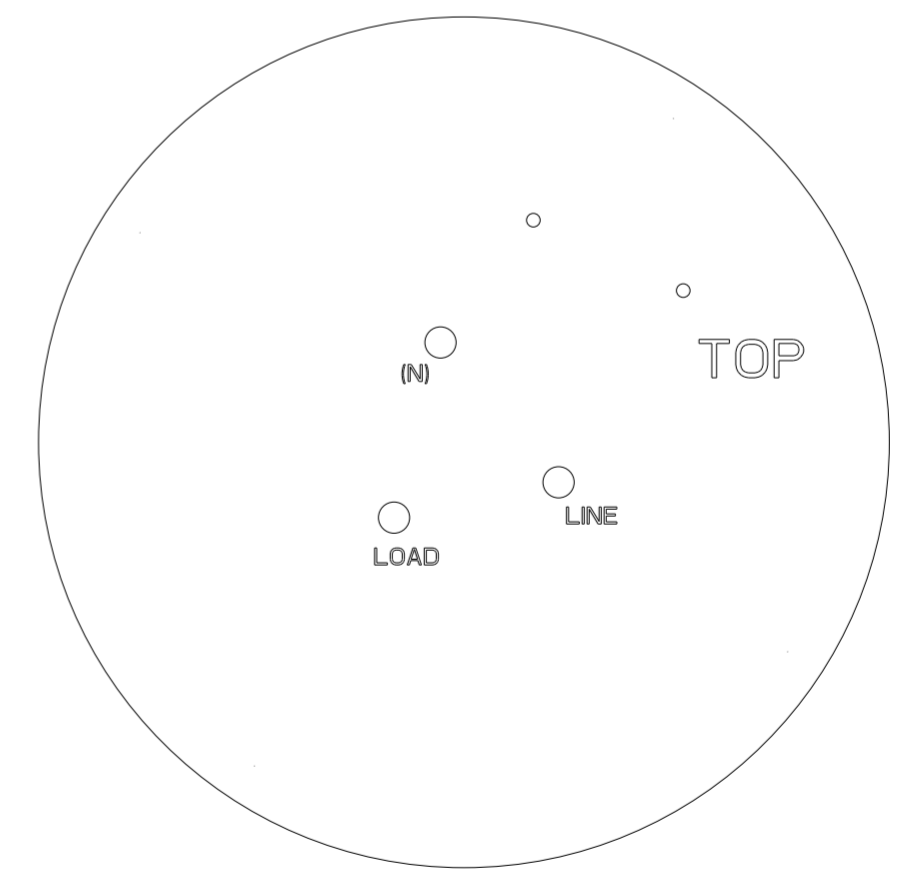
COMPONENT KEEP OUT AREAS  
2359482-1 AND 2359482-2


RECOMMENDED PCB  
SCALE 3:2



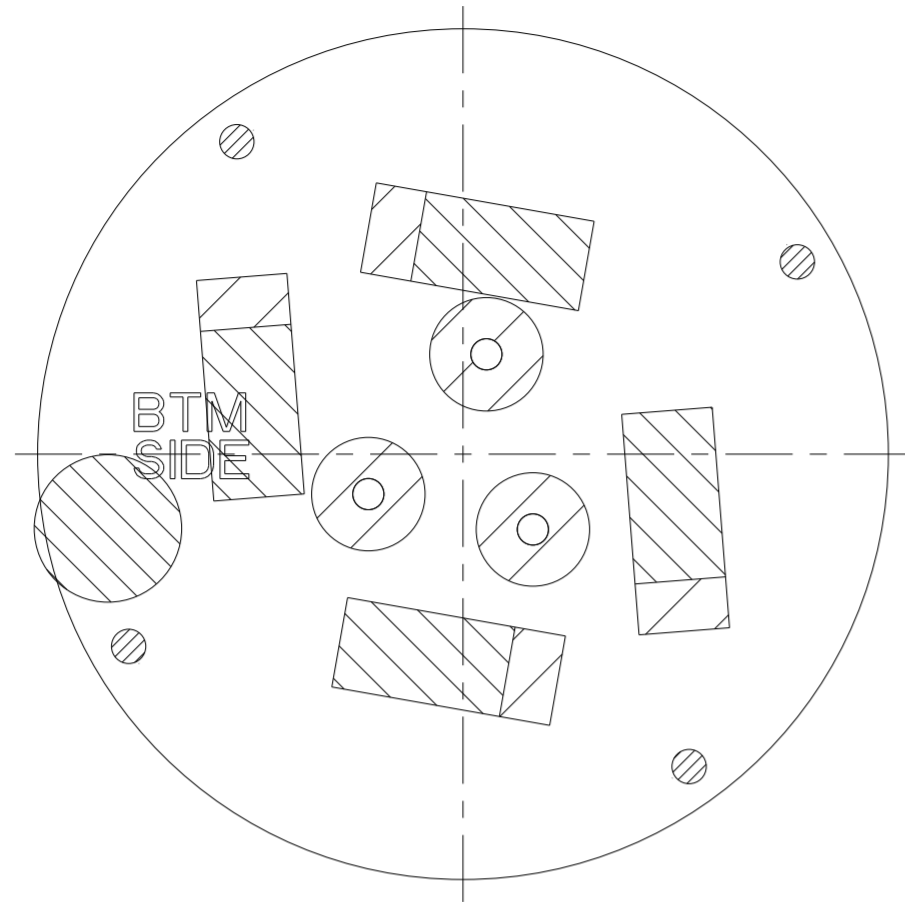
COMPONENT KEEP OUT AREAS  
2359482-3 AND 2359482-4

RECOMMENDED PCB  
SCALE 3:2

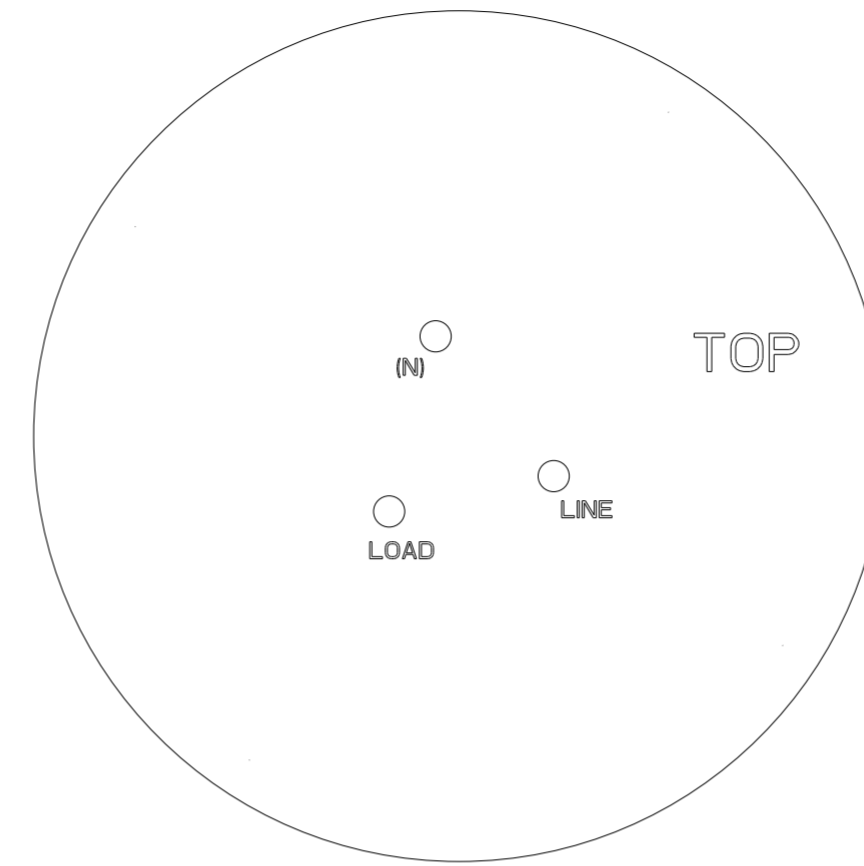


THIS DRAWING IS A CONTROLLED DOCUMENT.		DWN C DAILY 18NOV2019	 TE Connectivity		
		CHK J LATORRE 18NOV2019			
DIMENSIONS:	TOLERANCES UNLESS OTHERWISE SPECIFIED:	APVD -	NAME	BASE ASSEMBLY, LIGHT CONTROLLER, LUMAWISE ENDURANCE N GEN 2	
mm	0 PLC ± 1 PLC ±0.2 2 PLC ±0.13 3 PLC ± 4 PLC ±	PRODUCT SPEC 108-32606	SIZE	CAGE CODE	DRAWING NO
	ANGLES ±1°	APPLICATION SPEC 114-32363	A2	-	C-2359482
MATERIAL	FINISH	WEIGHT -	RESTRICTED TO	-	
1	2	CUSTOMER DRAWING	SCALE	SHEET	REV
			1:1	3 OF 4	A1

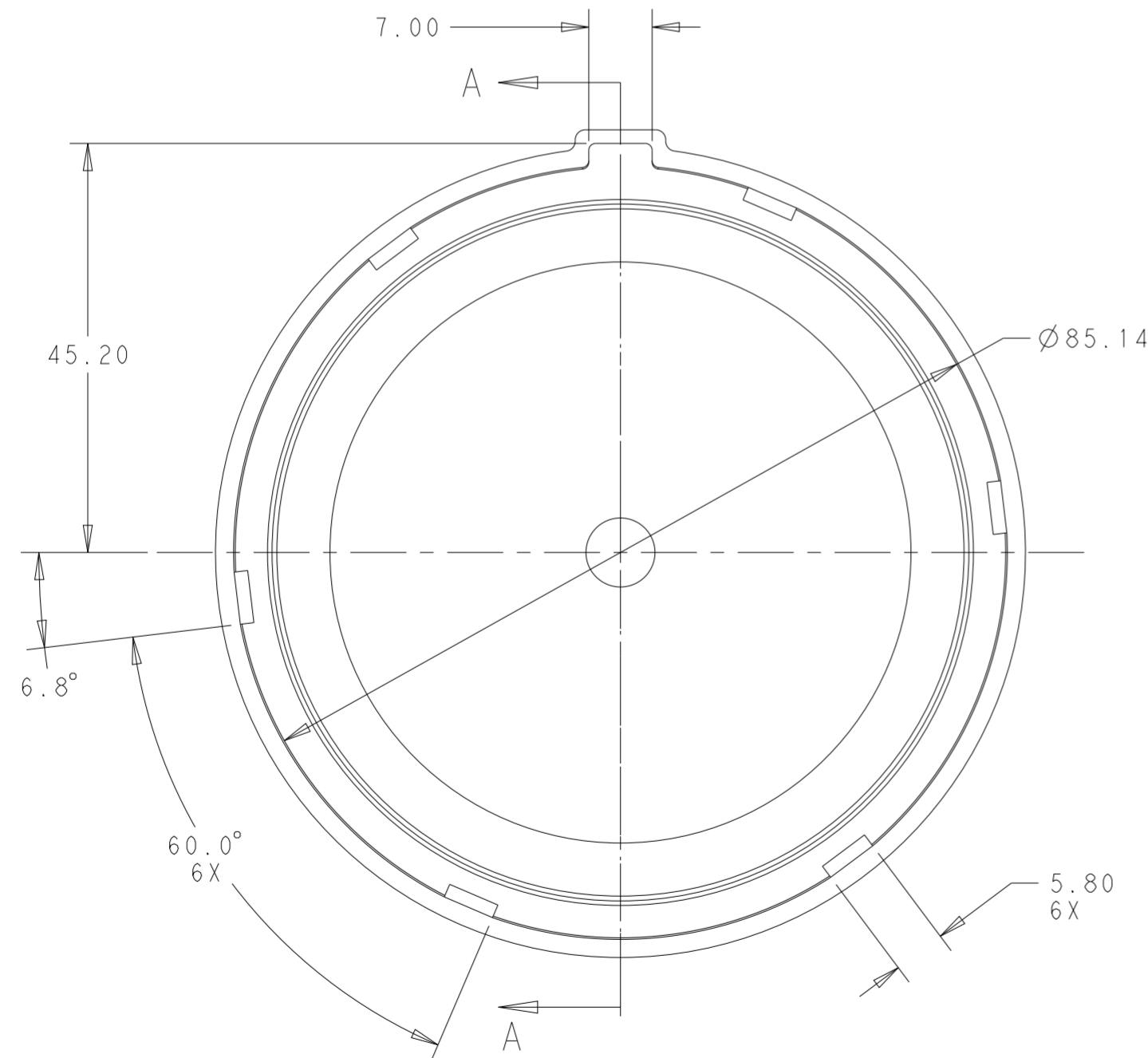
P	LTR	DESCRIPTION	DATE	DWN	APVD
-	-	SEE SHEET 1	-	-	-



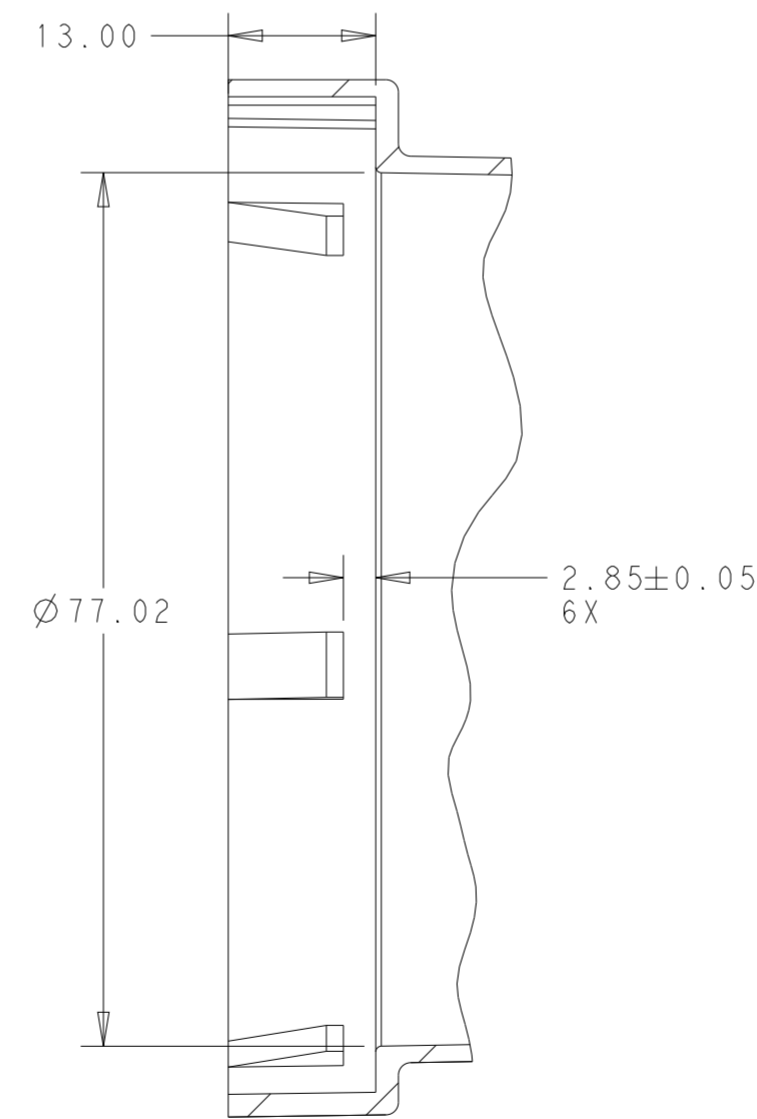
COMPONENT KEEP OUT AREAS  
2359482-5 AND 2359482-6



RECOMMENDED PCB  
SCALE 3:2



COVER DETAILS  
SCALE 3:2



SECTION A-A

THIS DRAWING IS A CONTROLLED DOCUMENT.		DWN C. DAILY 18NOV2019	TE Connectivity		
		CHK J. LATORRE 18NOV2019			
DIMENSIONS: mm 		TOLERANCES UNLESS OTHERWISE SPECIFIED: 0 PLC ± 1 PLC ±0.2 2 PLC ±0.13 3 PLC ± 4 PLC ± ANGLES ±1° FINISH		APVD - PRODUCT SPEC 108-32606 APPLICATION SPEC 114-32363 WEIGHT -	NAME BASE ASSEMBLY, LIGHT CONTROLLER, LUMAWISE ENDURANCE N GEN 2 SIZE A2 CAGE CODE - DRAWING NO C-2359482 RESTRICTED TO -
MATERIAL 1		2		CUSTOMER DRAWING	SCALE 1:1 SHEET 4 OF 4 REV A1