

Data sheet

E-DAT Industry terminal rail TS35 + RJ45 coupler insert Cat.6 Class E_A

Page 1/6

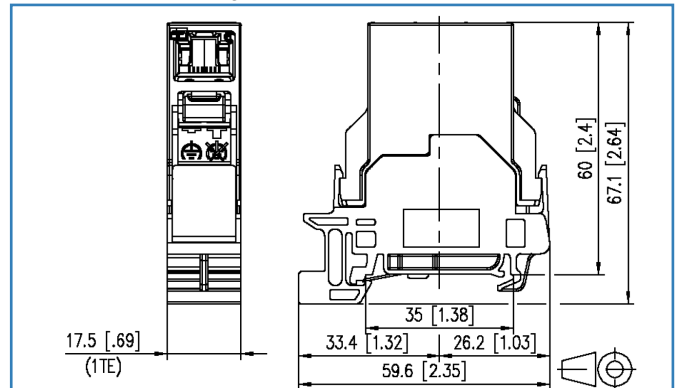
P/N
1401206113KE
EAN 4250184119159

2018-26-02

Illustrations



Dimensional drawing



See enlarged drawings at the end of document

Product specification

- termination unit for mounting on TH35 rails to DIN EN 60715 in electrical distribution panels for home and industrial installations
- equipped with E-DAT Industry RJ45 coupler insert
- vertical plugging direction, 90° to rail
- compliance with class E to ISO/IEC 11801 Ed.2.2:2011-06, DIN EN 50173-1:2011-09
- suitable for 10 GBit Ethernet (IEEE 802.3an), Remote Powering (PoE, PoE plus and UPoE) and HDBaseT
- increased resistance to vibrations and shocks due to 4 springs on the shield plates
- width of 1HP allows mounting up to 12 units in a standard electrical distribution panel
- when mounted as a device of protection class I, the equipotential bonding is realized directly over the top hat rail by means of a switchable integrated equipotential spring. This has to be connected to the equipotential bonding of the building by means of a bonding terminal



E-DAT Industry terminal rail TS35 + RJ45 coupler insert Cat.6 Class E_A

P/N
1401206113KE
EAN 4250184119159

2018-26-02

Technical Data

General Data

Fields of application	Office
Design	Wall outlet
Mounting style	Standard rail TH35
Shielding	shielded
Transmission technology	Copper
Color	light gray
Dimensions	
Dimension (L x W x H)	59.60 x 17.50 x 67.10 mm
Dimension (L x W x H)	2.346 x 0.689 x 2.642 in.
Horizontal pitch	1HP
Labeling option	label window with identification label
Marking option	by dust protection

Transmission characteristics

Category (ISO)	6
Class (ISO/IEC)	E
Category (TIA)	6
Remote Powering	yes
PoE	IEEE 802.3af
PoE plus	IEEE 802.3at
UPoE	yes
HDBaseT	yes
Transmission rate up to 10 GBit (Gigabit-Ethernet)	IEEE 802.3an

Connections/interfaces

Connector technology interface 1	RJ45-jack
Connector technology interface 2	RJ45-jack
Number of ports interface 1	1
Number of ports interface 2	1
Number of equipped ports interface 1	1
Number of ports interface 2 equipped	1
Number of positions/contacts interface 1	8P/8C
Number of positions/contacts interface 2	8P/8C



E-DAT Industry terminal rail TS35 + RJ45 coupler insert Cat.6 Class E_A

P/N
1401206113KE
EAN 4250184119159

2018-26-02

Technical Data

Connections/interfaces

Termination data, solid wire (min. - max.)

Conductor cross section, solid wire	AWG 22/1
Module plug-in direction	vertical

Electrical characteristics

Current carrying capacity	max. 1 A
Contact resistance	max. 20 mOhm
Insulation resistance	min. 500 MOhm
Dielectric strength conductor-conductor (secondary)	min. 1000 V DC

Mechanical characteristics

Insertion and withdrawal force	max. 30 N
Position/mounting of latch - standard installation position	top

Materials and material properties

Material - Housing	GD-Zn (zinc die-cast)
Material - Housing finish	CuSnZn
Material - Cover part(s)	Frianyl
Material - Lower housing	Frianyl
Material - Label window	ABS, transparent
Material - Dust protection	ABS
Material - Contact	Spring steel
Material - Contact finish	Ni + Au (nickel-gold)
Material - Insulation displacement contacts	CuNi2Si
Material - Finish of insulation displacement contacts	Sn (tin)
Material - Shield	Cu-Ni-Zn (nickel silver)
Material - Stuffer cap	PC UL94 V0
Material - Insulating body	PC UL94 V0
Material - Finish	Ni (nickel)
Material - Ground connection	CuSn4



Data sheet

Page 4/6

E-DAT Industry terminal rail TS35 + RJ45 coupler insert Cat.6 Class E_A

P/N
1401206113KE
EAN 4250184119159

2018-26-02

Technical Data

Environmental conditions

Temperature (min. - max.)	
Temperature - Storage °C	-40 - 70 °C
Temperature - Storage °F	-40 - 158 °F
Temperature - Operating °C	-40 - 70 °C
Temperature - Operating °F	-40 - 158 °F
Rapid change of temperature	-40°C / -40°F - +70°C / 158°F / 25 cycles t=30 min
Damp heat	+25°C / +77°F / +65°C / +149°F / 93% RH // -10°C / -14°F / 21 cycles
Flowing mixed gas	+25 °C / +77°F / 73% RH / 4 days, H2S / SO2
Electromagnetic measurement	E ₂
Vibration	50 m/s ²
Shock	250 m/s ²

Certifications

RoHS	compliant
------	-----------

The product meets the following standards

Generic cabling systems	
General requirements	ISO/IEC 11801 Ed.2.2:2011-06 DIN EN 50173-1:2011-09 TIA/EIA 568-C.2
Application-specific communications cabling systems	
Profinet	yes
Expansion of Communication Circuit Accessories (DUXR) Category	UL 1863
Connectors for electronic equipment	
Free and fixed connectors	DIN EN 60603-7-51:2011-01
Interference proof	
Immunity for industrial environments	DIN EN 61000-6-2:2006-03
Climate tests	IEC 60512-11
Mechanical fastening of electrical devices in switchgears	DIN EN 60715



Data sheet

Page 5/6

**E-DAT Industry terminal rail TS35
+ RJ45 coupler insert Cat.6 Class E_A**P/N
1401206113KE
EAN 4250184119159

2018-26-02

Technical Data**Classifications**

ETIM 5.0	EC001024
ETIM 6.0	EC001024

Packing details

Type of packaging	10 pc(s) / box
Packaging unit - Weight (gram)	430.00 g
Packaging unit - Weight (pound)	0.95 lb
Packaging dimension (W x H x D)	250.00 x 105.00 x 89.00 mm
Packaging dimension (W x H x D)	9.843 x 4.134 x 3.504 in.



Data sheet

Page 6/6

**E-DAT Industry terminal rail TS35
+ RJ45 coupler insert Cat.6 Class E_A**

P/N

1401206113KE

EAN 4250184119159

2018-26-02

Illustrations

Dimensional drawing

