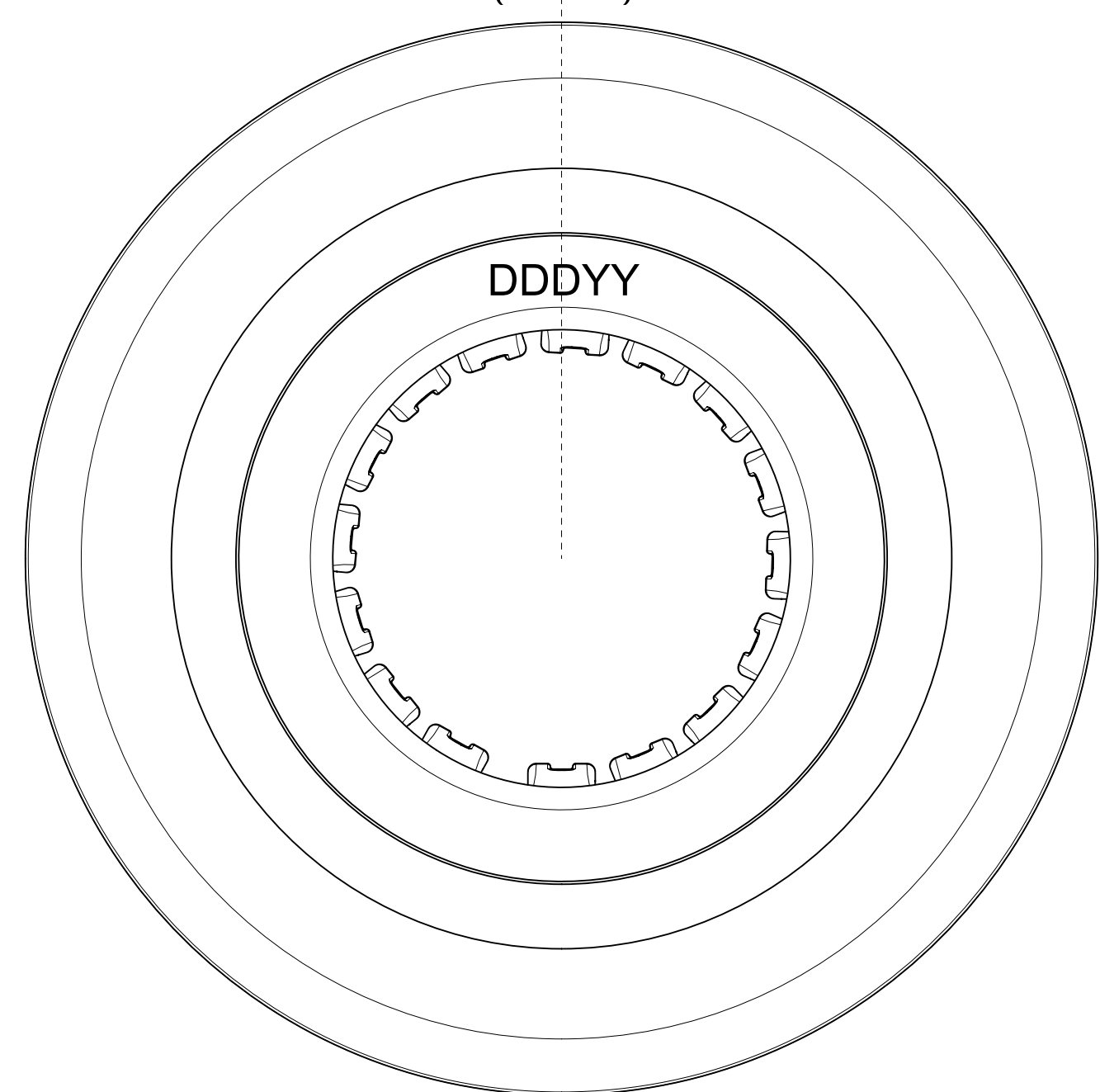
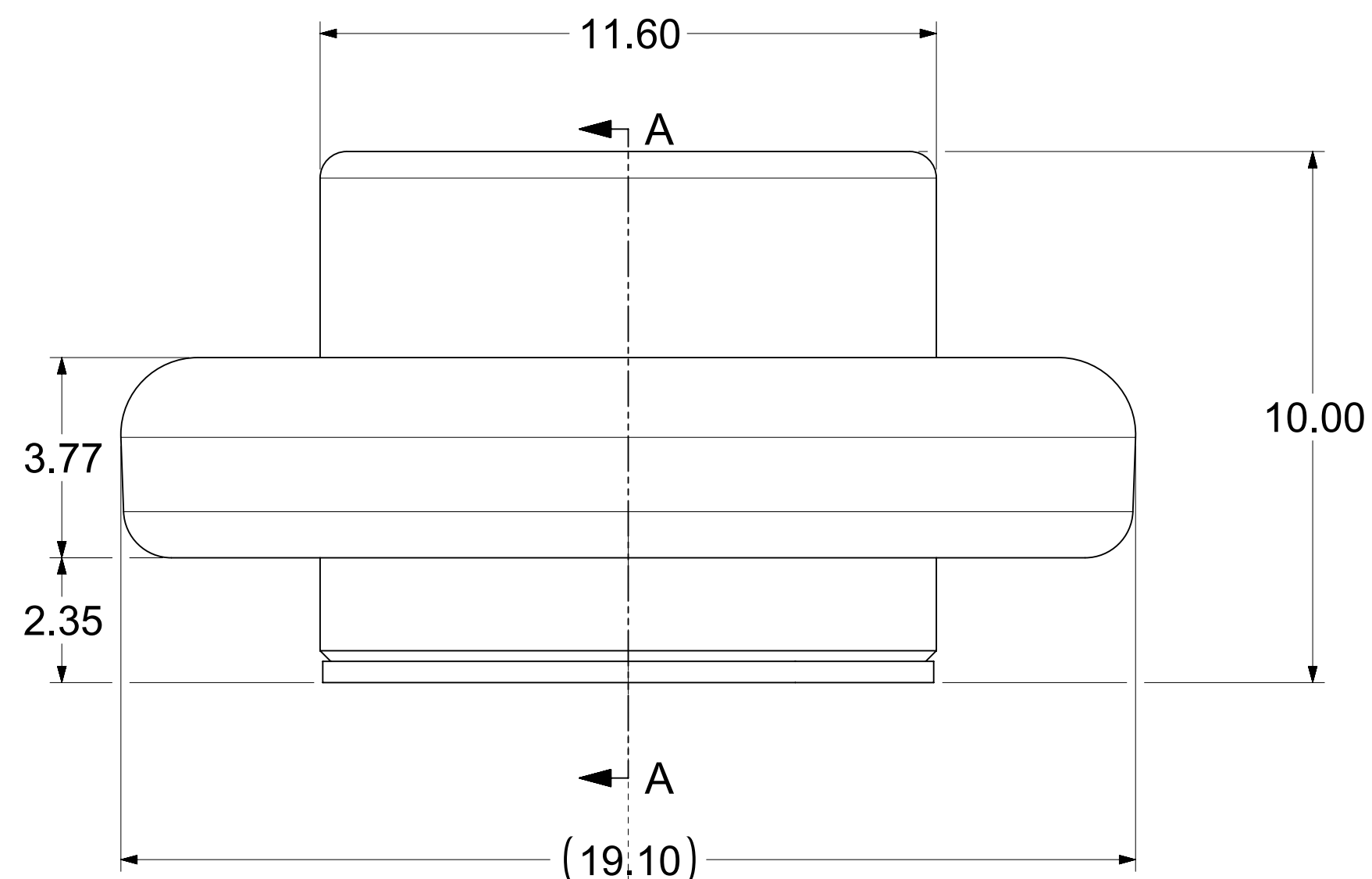
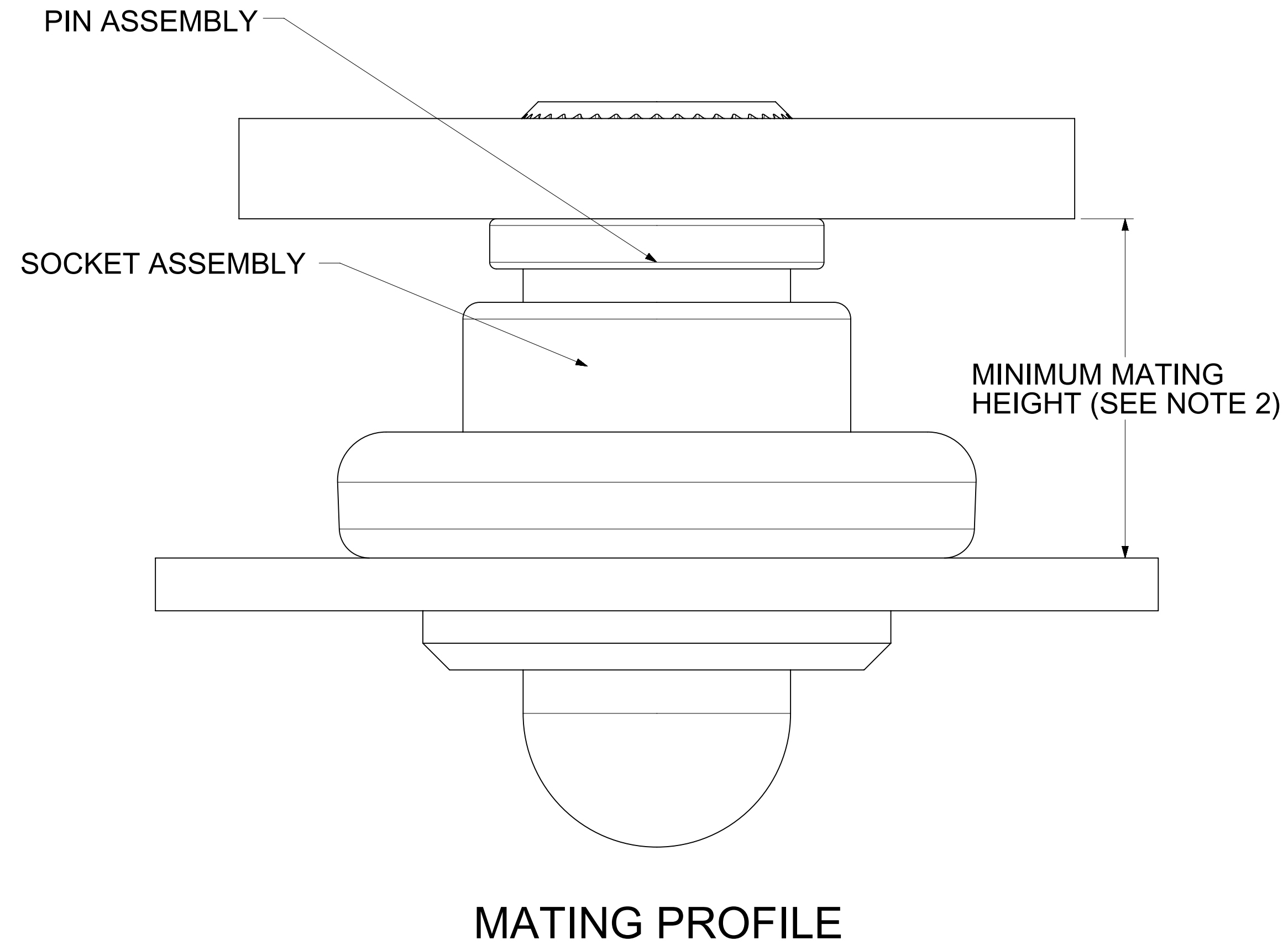
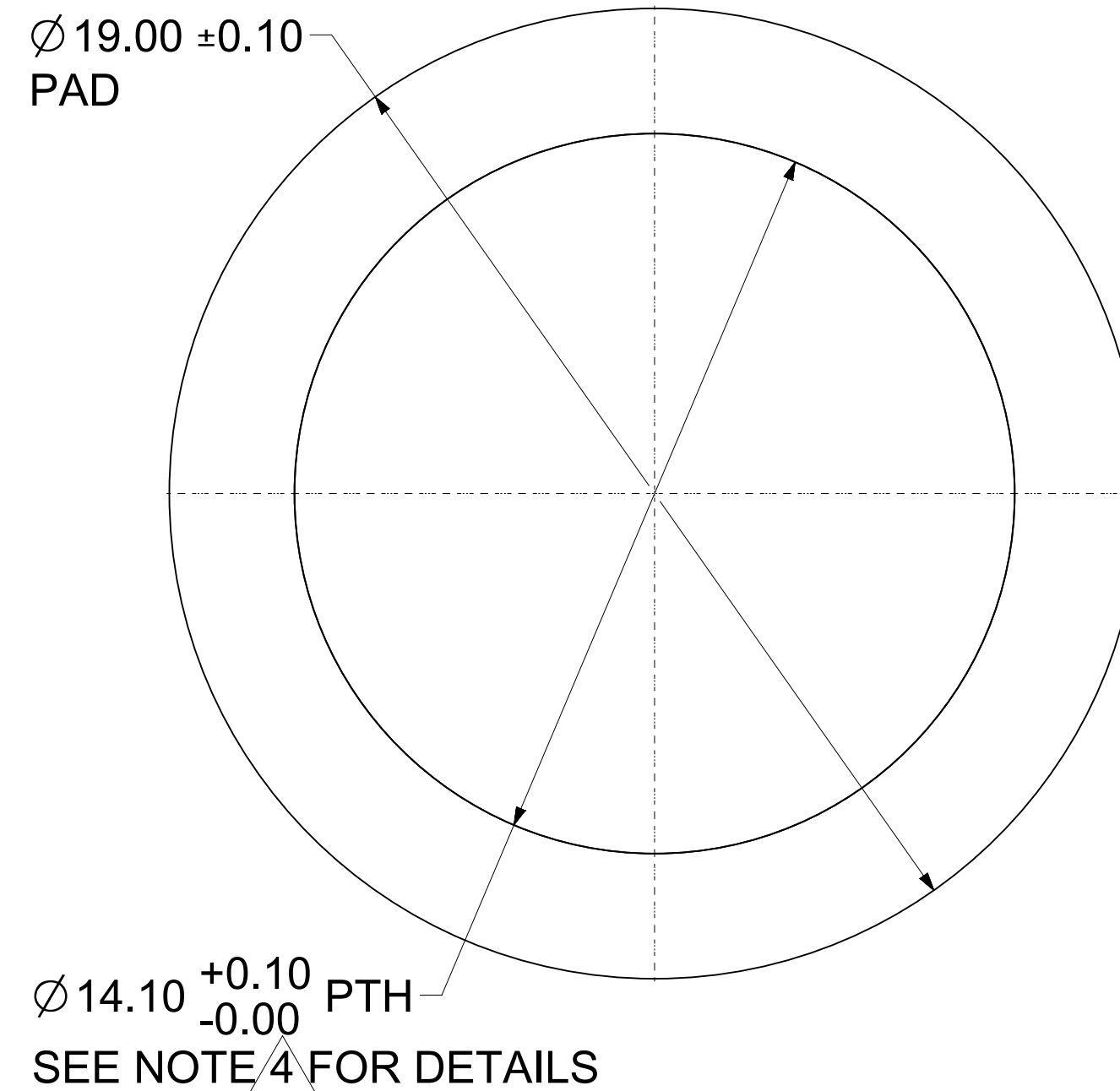


REMOVABLE
PICK AND PLACE
CAP SHOWN



1.58 SHOWN
(1.58MM MINIMUM
RECOMMENDED
PCB THICKNESS)

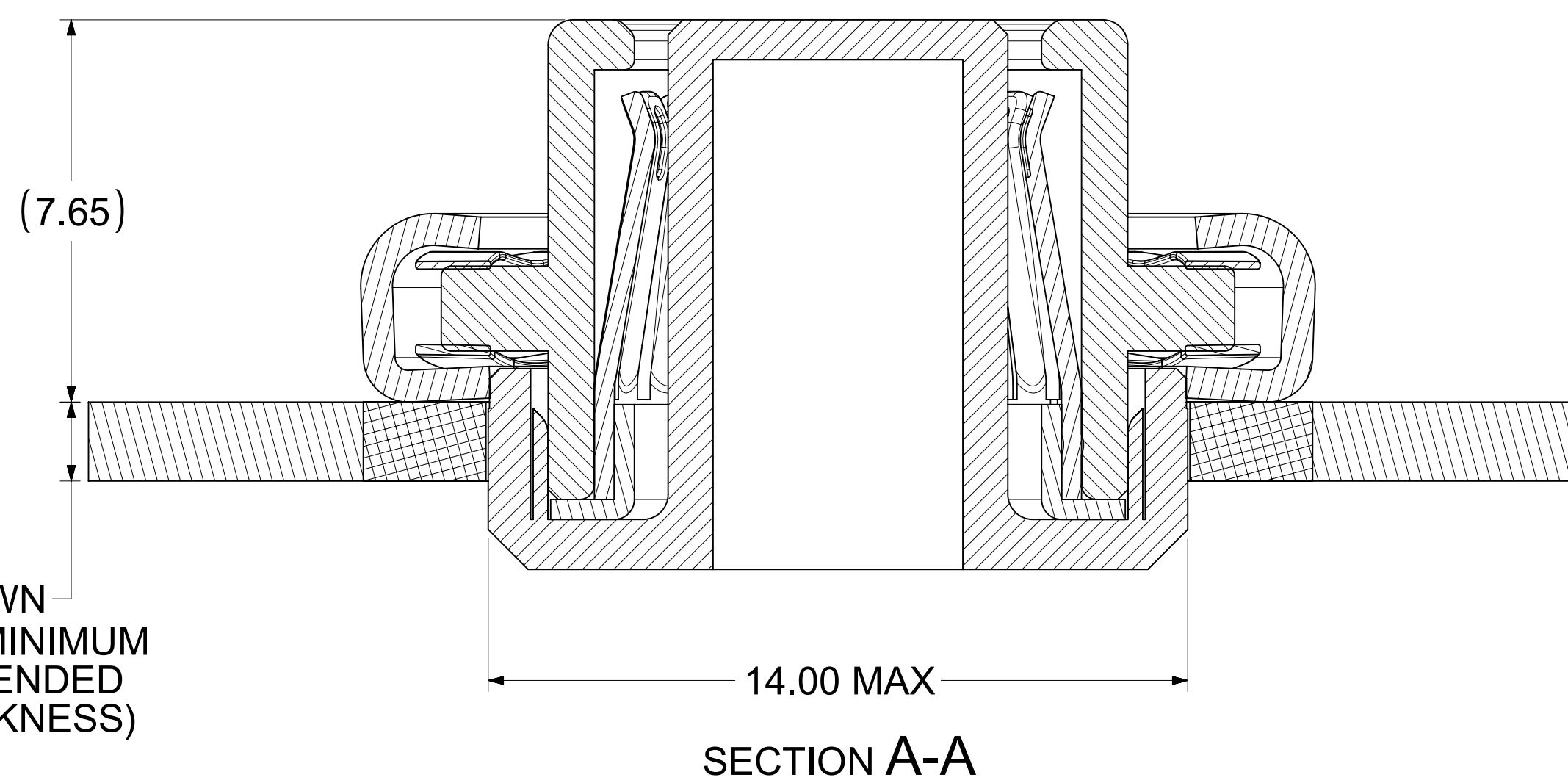
RECOMMENDED PCB LAYOUT



MATING PROFILE

NOTES:

- MATERIALS:
RETENTION CAP: STAINLESS STEEL
PICK AND PLACE CAP: LCP UL94, V-0 COLOR BLACK
BASE METAL: HIGH CONDUCTIVE COPPER ALLOY
PLATING ON CONTACTS: 0.75 MICRON MIN GOLD OVER 1.27 MICRON MIN NICKEL
PLATING ON BODY: 3.18 MICRON MIN SILVER OVER 1.27 MICRON MIN NICKEL
- MATES WITH THE STANDARD PIN DRAWINGS:
i. 8.0MM SMT DRAWING 2032633080-SD, MIN. MATING DISTANCE 9.8MM
ii. 8.0MM PRESS FIT DRAWING 2032630001-SD, MIN. MATING DISTANCE 10.15MM
iii. 8.0MM SCREW MOUNT DRAWING 2032634185-SD, MIN. MATING DISTANCE 13.15MM
- PRODUCT SPECIFICATION: 2043130001-PS
- APPLICATION SPECIFICATION: 2043130001-AS
- PACKAGING SPECIFICATION: 2121950012-PK
- SILVER COMPONENTS WILL BE SUPPLIED TARNISH FREE BUT MAY TARNISH OVER TIME.
- PICK AND PLACE CAP TO BE REMOVED AFTER SOLDERING. CAP TO BE PUSHED OUT OF BOTTOM FROM THE TOP.
- DATE CODE TO BE LASER MARKED APPROXIMATELY WHERE SHOWN USING DDDYY FORMAT



SECTION A-A

THIS DRAWING CONTAINS INFORMATION THAT IS PROPRIETARY TO MOLEX ELECTRONIC TECHNOLOGIES, LLC AND SHOULD NOT BE USED WITHOUT WRITTEN PERMISSION															
DIMENSION UNITS		SCALE		CURRENT REV DESC: UPDATED THE TITLE BLOCK											
mm		5:1													
GENERAL TOLERANCES (UNLESS SPECIFIED)															
ANGULAR TOL ± 0.5°															
4 PLACES ±		EC NO: 747243													
3 PLACES ±		DRWN: SACHIK7		2023/02/28											
2 PLACES ± 0.15		CHK'D: SCS02		2023/04/25											
1 PLACE ± 0.25		APPR: HTHYAGARAJ		2023/04/26											
0 PLACES ±		INITIAL REVISION:													
		DRWN: RLOW		2019/07/15											
		APPR: BPISZCZOR		2019/11/13											
DRAFT WHERE APPLICABLE MUST REMAIN WITHIN DIMENSIONS				THIRD ANGLE PROJECTION		DRAWING		SERIES		MATERIAL NUMBER		CUSTOMER		SHEET NUMBER	
				D-SIZE		212195		2121950012		GENERAL MARKET		1 OF 1			

molex

8.0MM SENTRALITY TOP ENTRY SMT
SOCKET WITH FLOAT IN T&R

PRODUCT CUSTOMER DRAWING

DOCUMENT NUMBER DOC TYPE DOC PART REVISION

2121950012-SD PSD 000 A4