

NOTES

- ① 材料及び仕上げ(めっき仕様) : TABLE1参照
MATERIAL AND FINISES:SEE TABLE 1
2. 製品仕様 : 2147190000-PS 000
PRODUCT SPECIFICATION : 2147190000-PS 000
3. 梱包仕様 : 2147219200-SPK 200
PACKING SPECIFICATION : 2147219200-SPK 200
4. 嵌合相手 : 214719 SERIES
MATE WITH : 214719 SERIES
5. アプリケーション仕様書
(コネクタ取扱い説明書) : 2166940000-AS 000
APPLICATION SPECIFICATION
(CONNECTOR MANUAL) : 2166940000-AS 000

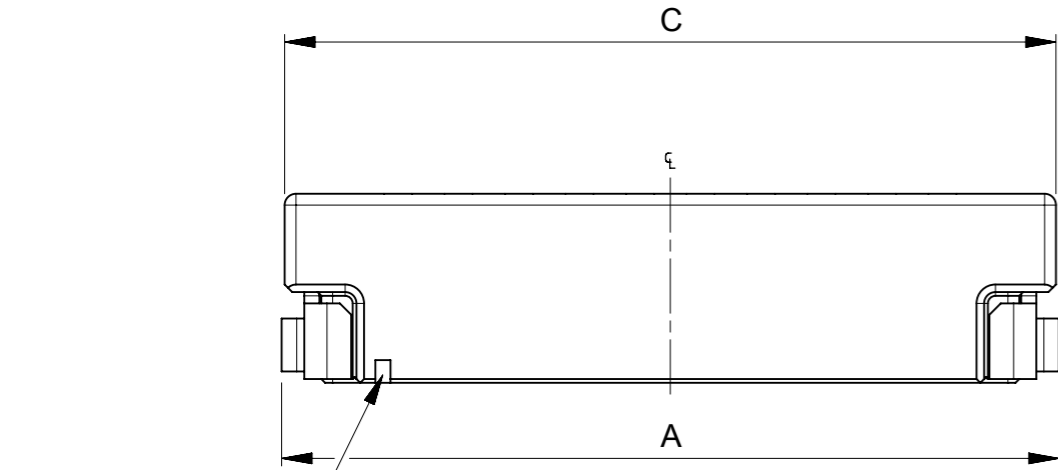
6. 端子テール部及びネイルの平坦度 : 0.1MAX.
TAIL AND NAIL COPLANARITY TO BE 0.1 MAX.
極数/2 = 偶数に適応
- ⑦ APPLY FOR CIRCUIT SIZE / 2 = EVEN
発注番号(製品番号) : SHEET 4の製品一覧を参照ください
- ⑧ ORDER No (MATERIAL No) :
REFER TO SHEET 4 FOR PRODUCT LIST

214721 00**

シリーズ番号
SERIES No.

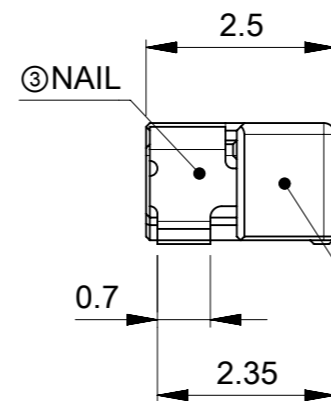
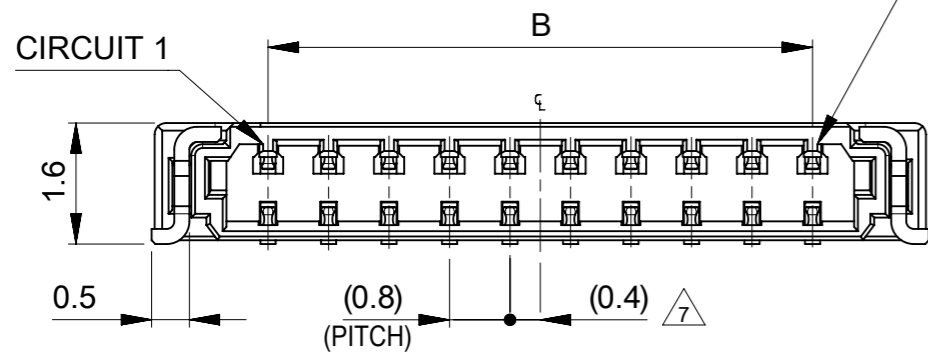
極数
CIRCUIT SIZE

9. 本製品のプラスチック部に黒点、白点等が確認される場合や色合いが異なる場合がありますが、製品機能に影響はありません。
THERE IS NO INFLUENCE IN THE PRODUCT PERFORMANCE THOUGH THE BLACK AND WHITE SPOT ETC.
MIGHT BE CONFIRMED TO THE PLASTIC PART OF THIS PRODUCT AND THE SHADE MIGHT BE DIFFERENT.



CIRCUIT 1 INDICATOR MARK

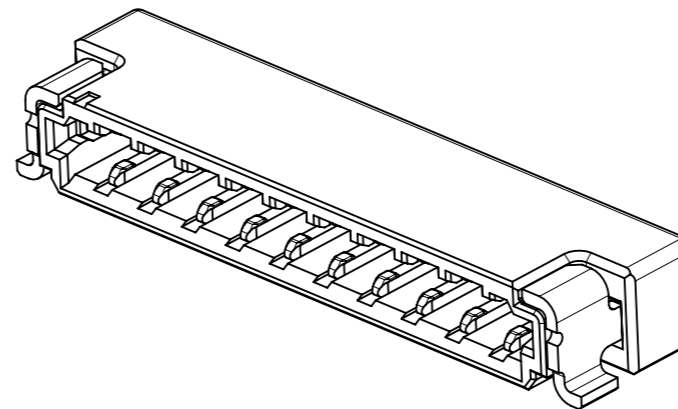
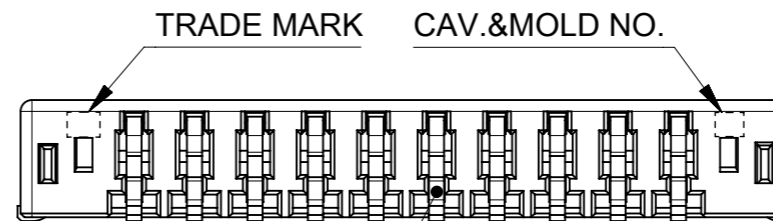
CIRCUIT N



③ NAIL

① HOUSING

② TERMINAL

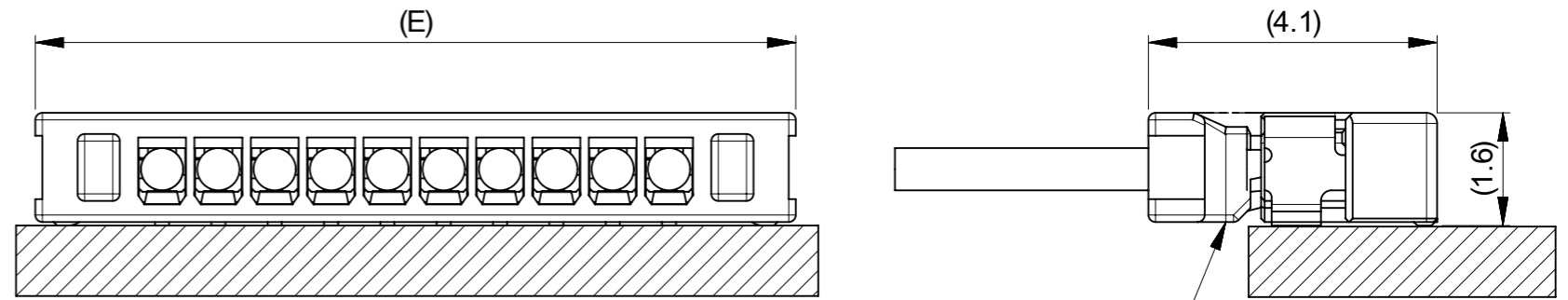
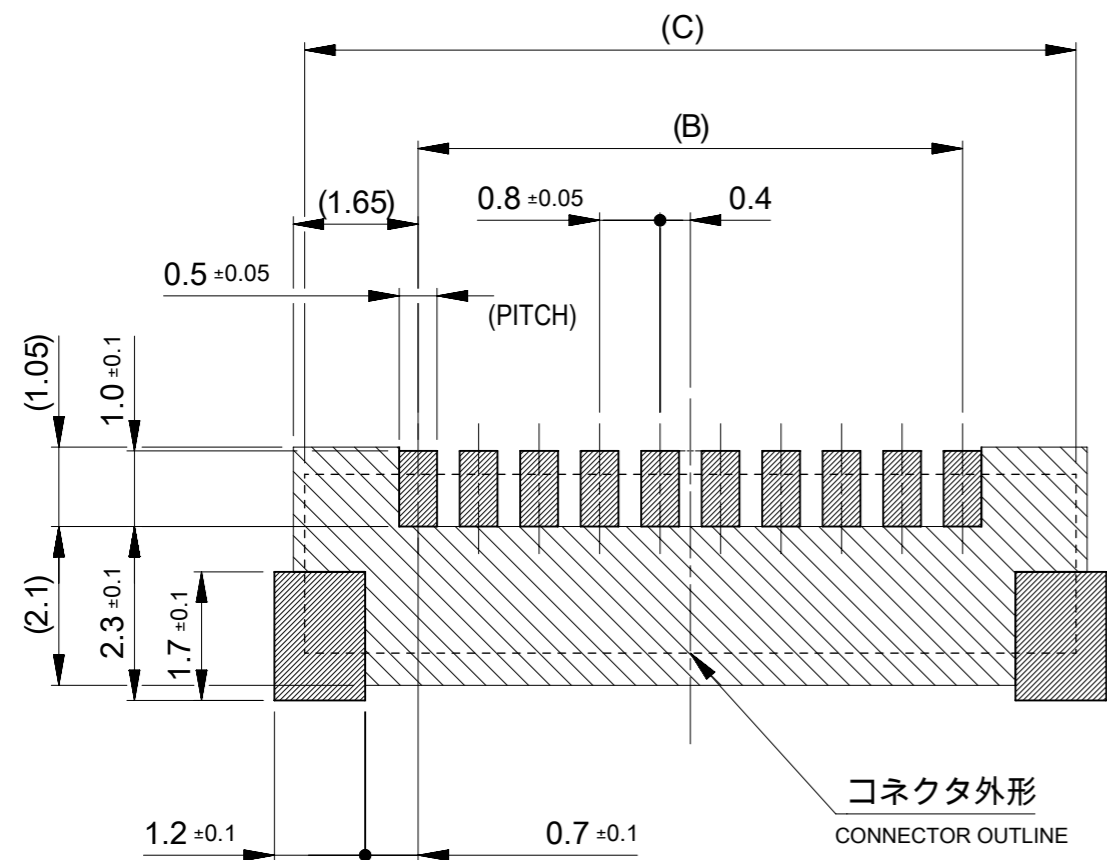


① TABLE 1

| | | | | | |
|------|-----|------|------|-------|--------------------|
| 18.8 | | 18.2 | 15.2 | 18.28 | 20 |
| 18.0 | | 17.4 | 14.4 | 17.48 | 19 |
| 17.2 | | 16.6 | 13.6 | 16.68 | 18 |
| 16.4 | | 15.8 | 12.8 | 15.88 | 17 |
| 15.6 | | 15 | 12 | 15.08 | 16 |
| 14.8 | | 14.2 | 11.2 | 14.28 | 15 |
| 14.0 | 5.6 | 13.4 | 10.4 | 13.48 | 14 |
| 13.2 | | 12.6 | 9.6 | 12.68 | 13 |
| 12.4 | | 11.8 | 8.8 | 11.88 | 12 |
| 11.6 | | 11 | 8 | 11.08 | 11 |
| 10.8 | | 10.2 | 7.2 | 10.28 | 10 |
| 10.0 | | 9.4 | 6.4 | 9.48 | 9 |
| 9.2 | | 8.6 | 5.6 | 8.68 | 8 |
| 8.4 | | 7.8 | 4.8 | 7.88 | 7 |
| 7.6 | 3.2 | 7 | 4 | 7.08 | 6 |
| 6.8 | | 6.2 | 3.2 | 6.28 | 5 |
| 6.0 | 2.9 | 5.4 | 2.4 | 5.48 | 4 |
| 5.2 | 2.1 | 4.6 | 1.6 | 4.68 | 3 |
| 4.4 | 1.3 | 3.8 | 0.8 | 3.88 | 2 |
| E | D | C | B | A | 極数 CIRCUIT SIZE |

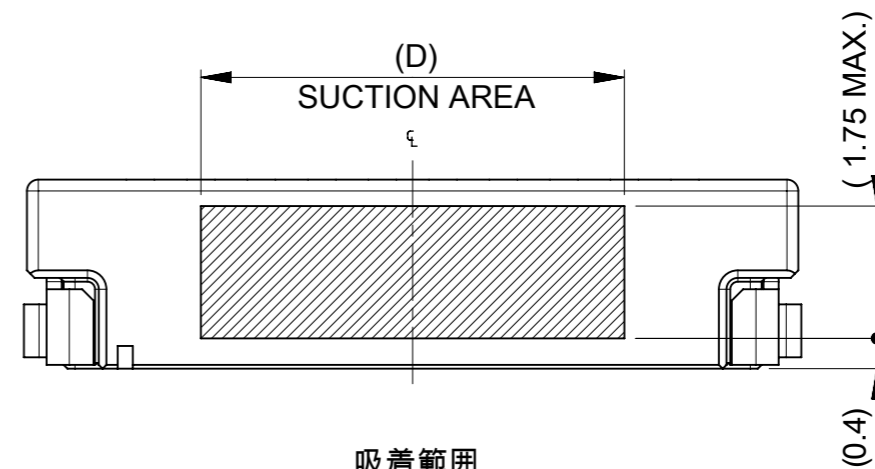
| 番号 NO. | 部品 PART | 材質 MATERIAL |
|-----------|-------------------|---|
| ① | ハウジング HOUSING | 液晶ポリマー(LCP), UL94 V-0, LOW HALOGEN, 黒 LIQUID CRYSTAL POLYMER(LCP), UL94 V-0, LOW HALOGEN, BLACK |
| ② | ターミナル TERMINAL | 銅合金 COPPER ALLOY |
| | | ニッケルめっき(下地) : 1.0 MICROMETER MINIMUM NICKEL (UNDER PLATING) 錫めっき(リフロー処理) : 1.0 MICROMETER MINIMUM MATTE TIN REFLOW TREATMENT |
| ③ | ネイル NAIL | リン青銅 PHOSPHOR BRONZE |
| | | ニッケルめっき(下地) : 1.0 MICROMETER MINIMUM NICKEL (UNDER PLATING) |
| | | 錫めっき(リフロー処理) : 1.0 MICROMETER MINIMUM MATTE TIN REFLOW TREATMENT |

| | | | | | |
|---|-------|-------------------|--|---------------------------------------|--|
| THIS DRAWING CONTAINS INFORMATION THAT IS PROPRIETARY TO MOLEX ELECTRONIC TECHNOLOGIES, LLC AND SHOULD NOT BE USED WITHOUT WRITTEN PERMISSION | | CURRENT REV DESC: | | molex | |
| DIMENSION UNITS | SCALE | | | | |
| mm | NTS | | | ZERO-HACHI 0.8 HDR SINGLE ROW RA ASSY | |
| GENERAL TOLERANCES (UNLESS SPECIFIED) | | | | PRODUCT CUSTOMER DRAWING | |
| ANGULAR TOL ± 3.0° | | | | DOCUMENT NUMBER | |
| 4 PLACES ± 0.2 | | EC NO: 693607 | | 2147210000-SD | |
| 3 PLACES ± 0.2 | | DRWN: HKOBAYASHI | | PSD 000 A | |
| 2 PLACES ± 0.2 | | CHK'D: AIDA | | DOC TYPE | |
| 1 PLACE ± 0.2 | | APPR: SAKIYAMA | | DOC PART | |
| 0 PLACES ± 0.2 | | INITIAL REVISION: | | REVISION | |
| DRAFT WHERE APPLICABLE MUST REMAIN WITHIN DIMENSIONS | | DRWN: HKOBAYASHI | | 2021/07/12 | |
| THIRD ANGLE PROJECTION | | APPR: SAKIYAMA | | 2022/01/28 | |
| DRAWING | | SERIES | | MATERIAL NUMBER | |
| A3-SIZE | | 214721 | | CUSTOMER | |
| | | | | GENERAL | |
| | | | | SHEET NUMBER | |
| | | | | 1 OF 4 | |




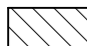
嵌合相手 : 214719シリーズ
MATE WITH:214719 SERIES


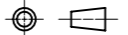
嵌合状態図
MATED CONNECTORS

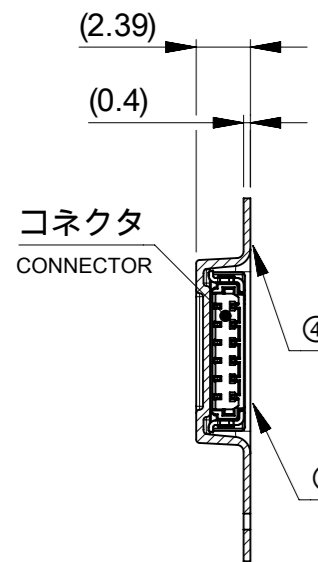
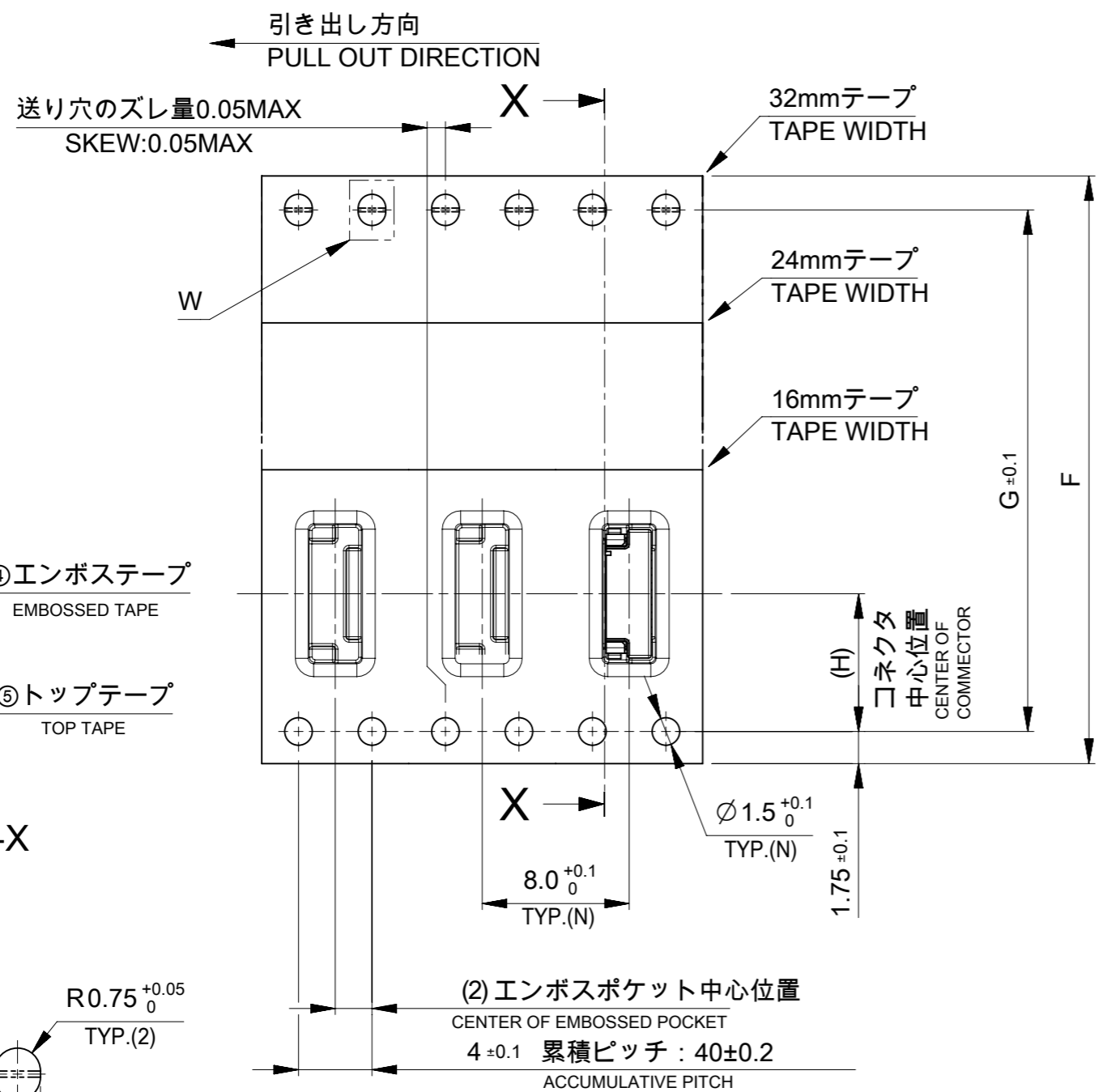


吸着範囲
SUCTION AREA

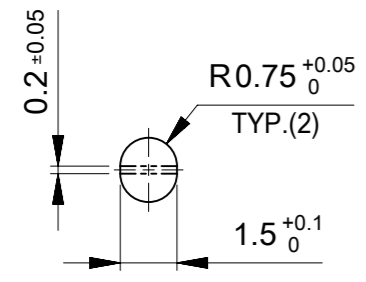
 推奨基板パターンレイアウト(参考)
 RECOMENDED PCB PATTERN LAYOUT(REF.)
 (参考 : メタルマスク厚さ 0.1mm, マスク開口率100%)
 (REF:METAL MASK THICKNESS 0.1mm, APERTURE RATIO 100%)

 パターン非推奨エリア
 パターンを引き回す際は、製品機能に影響がないことをご確認ください。
 PATTERN IS NOT RECOMMENDED ON THE HATCHING AREA
 PLEASE CHECK NOT TO HAVE PROBLEM FOR PRODUCT FUNCTION
 WHEN SETTING PATTERN ON THE HATCHING AREA.

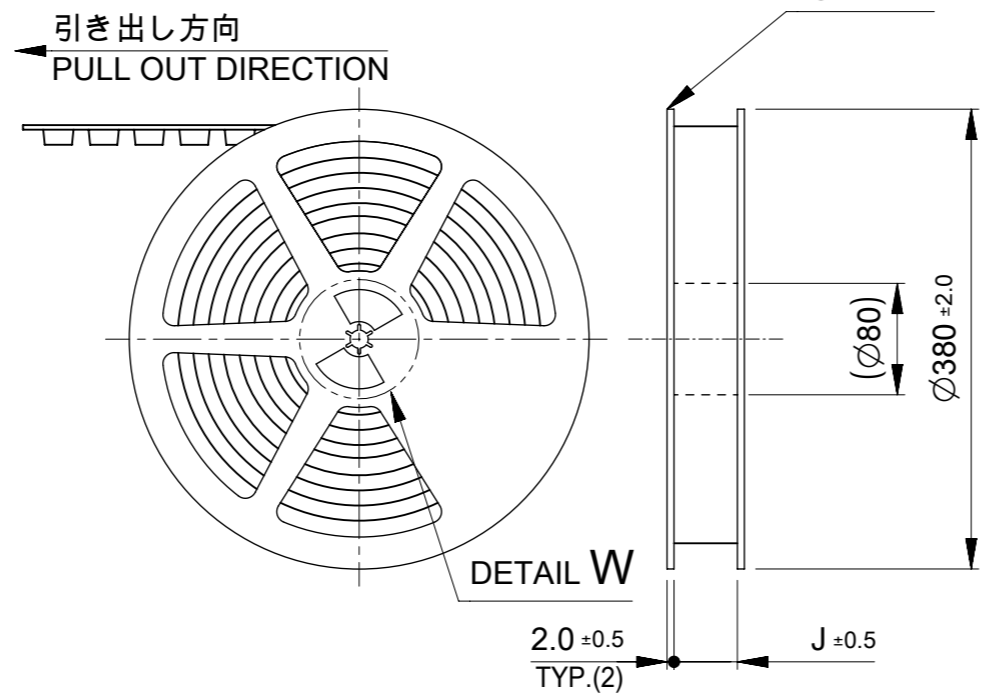
| | | | | | | | | | |
|---|--|---|--|-------------------|--|------------|--|---|--|
| THIS DRAWING CONTAINS INFORMATION THAT IS PROPRIETARY TO MOLEX ELECTRONIC TECHNOLOGIES, LLC AND SHOULD NOT BE USED WITHOUT WRITTEN PERMISSION | | | | | | | | | |
| DIMENSION UNITS | | SCALE | | CURRENT REV DESC: | | | |  ZERO-HACHI 0.8 HDR SINGLE ROW RAASSY | |
| mm | | NTS | | | | | | | |
| GENERAL TOLERANCES (UNLESS SPECIFIED) | | | | | | | | | |
| ANGULAR TOL ± 3.0 ° | | | | | | | | | |
| 4 PLACES | | ± 0.2 | | EC NO: 693607 | | 2021/07/12 | | | |
| 3 PLACES | | ± 0.2 | | DRWN: HKOBAYASHI | | 2022/01/28 | | | |
| 2 PLACES | | ± 0.2 | | CHK'D: AIDA | | 2022/01/28 | | | |
| 1 PLACE | | ± 0.2 | | APPR: SAKIYAMA | | 2022/01/28 | | | |
| 0 PLACES | | ± 0.2 | | INITIAL REVISION: | | | | | |
| | | | | DRWN: HKOBAYASHI | | 2021/07/12 | | DOCUMENT NUMBER | |
| | | | | APPR: SAKIYAMA | | 2022/01/28 | | 2147210000-SD | |
| DRAFT WHERE APPLICABLE MUST REMAIN WITHIN DIMENSIONS | | THIRD ANGLE PROJECTION | | DRAWING | | SERIES | | MATERIAL NUMBER | |
| | |  | | A3-SIZE | | 214721 | | CUSTOMER | |
| | | | | | | | | GENERAL | |
| | | | | | | | | SHEET NUMBER | |
| | | | | | | | | 2 OF 4 | |



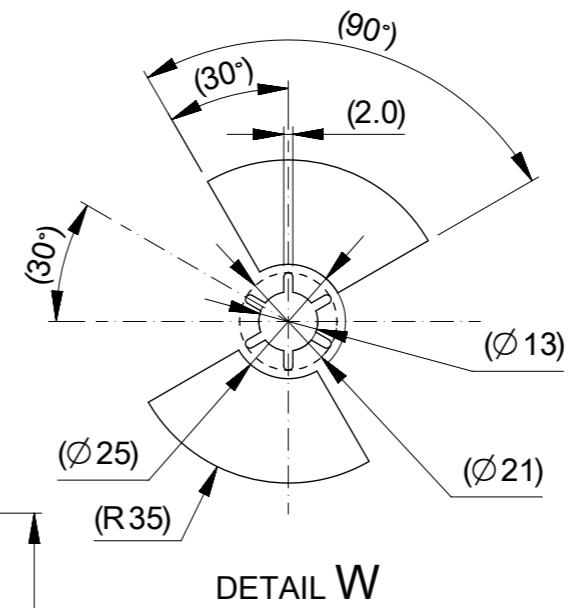
SECTION X-X



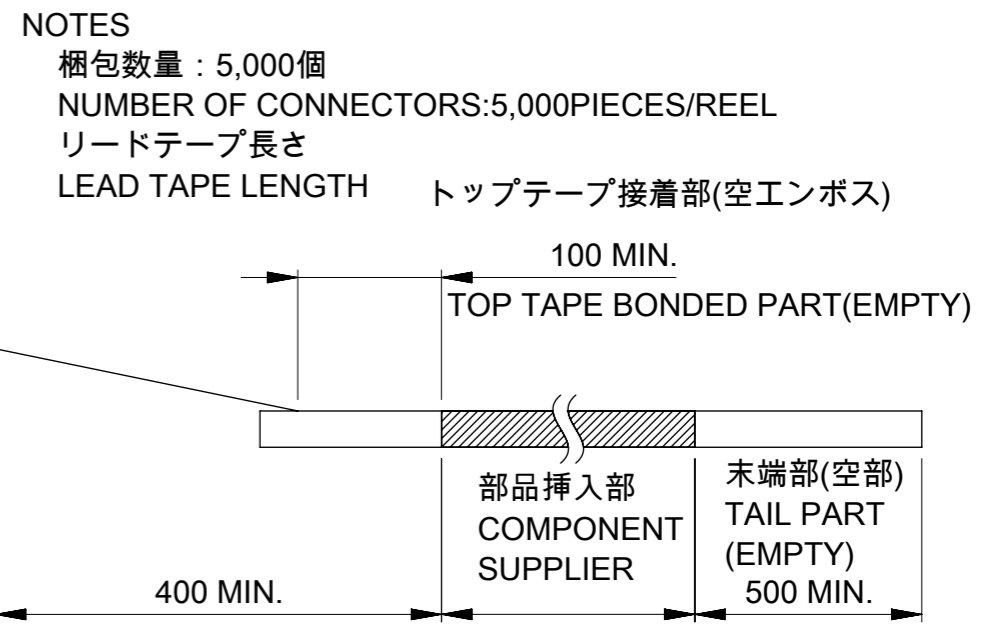
DETAIL W
SCALE 5:1



DETAIL W



DETAIL W



トップテープの剥離強度はIEC60286-3に準拠。
TOP TAPE PELING FORCE IS DEFINED BY IEC60286-3.

梱包仕様書 : 2147219200-SPK PS 200
PACAGING SPECIFICATION:2147219200-SPK PS 200

| | | | | |
|------|------|------|-----------------------------|--------------------|
| 33.5 | 14.2 | 28.4 | 32±0.3 | 20 |
| | | | | 19 |
| | | | | 18 |
| | | | | 17 |
| | | | | 16 |
| | | | | 15 |
| | | | | 14 |
| | | | | 13 |
| 25.5 | 11.5 | - | 24+0.3/-0.1 | 12 |
| | | | | 11 |
| | | | | 10 |
| | | | | 9 |
| | | | | 8 |
| | | | | 7 |
| | | | | 6 |
| | | | | 5 |
| 17.5 | 7.5 | - | 16+0.3/-0.1 | 4 |
| | | | | 3 |
| | | | | 2 |
| J | H | G | エンボステープ幅F WIDTH OF TAP F | 極数 CIRCUIT SIZE |

| 番号 No. | 部品 PART | 材質 MATERIAL |
|-----------|--------------------------|---|
| ④ | エンボステープ EMBOSSED TAPE | ポリスチレン(PS) POLYSTYLENE(PS), etc |
| ⑤ | トップテープ TOP TAPE | ポリエチレン(PE),その他 POLYETHYLENE(PE), etc |
| ⑥ | リール REEL | ポリスチレン(PS) POLYSTYLENE |

THIS DRAWING CONTAINS INFORMATION THAT IS PROPRIETARY TO MOLEX ELECTRONIC TECHNOLOGIES, LLC AND SHOULD NOT BE USED WITHOUT WRITTEN PERMISSION

DIMENSION UNITS: mm SCALE: NTS

GENERAL TOLERANCES (UNLESS SPECIFIED): ANGULAR TOL ± 3.0°

4 PLACES ± 0.2
3 PLACES ± 0.2
2 PLACES ± 0.2
1 PLACE ± 0.2
0 PLACES ± 0.2

CURRENT REV DESC:

EC NO: 693607
DRWN: HKOBAYASHI 2021/07/12
CHK'D: AIDA 2022/01/28
APPR: SAKIYAMA 2022/01/28

INITIAL REVISION:
DRWN: HKOBAYASHI 2021/07/12
APPR: SAKIYAMA 2022/01/28

DRAFT WHERE APPLICABLE MUST REMAIN WITHIN DIMENSIONS

THIRD ANGLE PROJECTION

DRAWING: A3-SIZE SERIES: 214721

MATERIAL NUMBER: 2147210000-SD CUSTOMER: GENERAL SHEET NUMBER: 3 OF 4

DOCUMENT NUMBER: 2147210000-SD DOC TYPE: PSD DOC PART: 000 REVISION: A

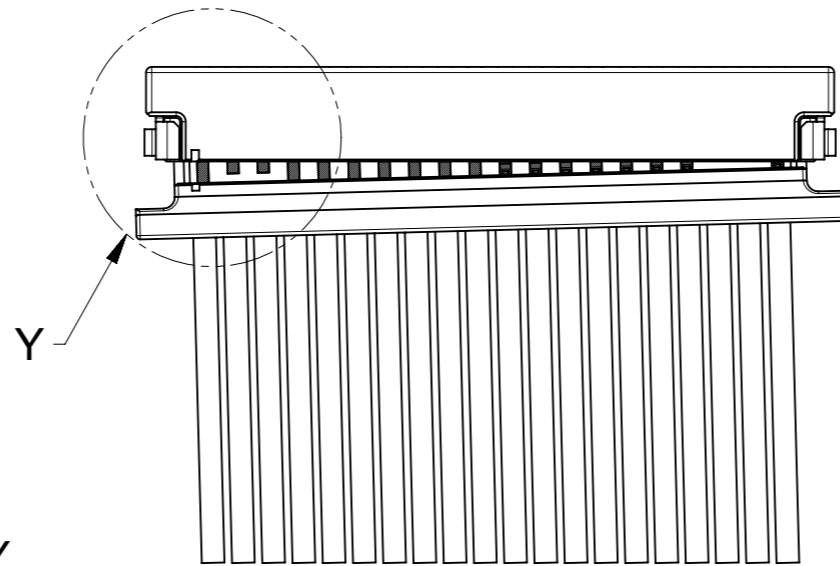
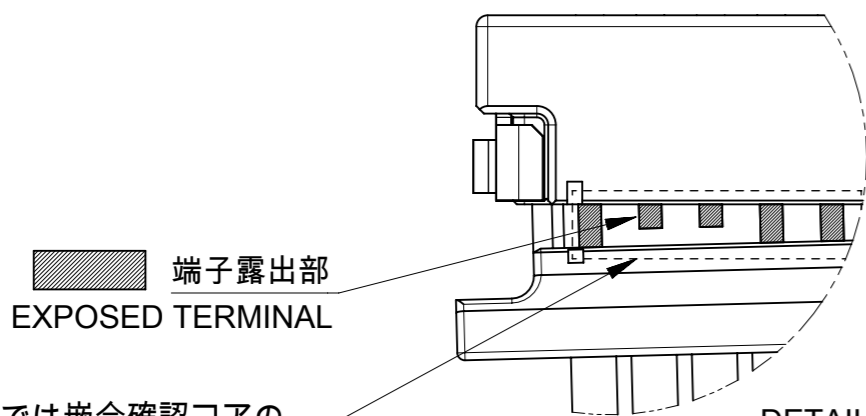
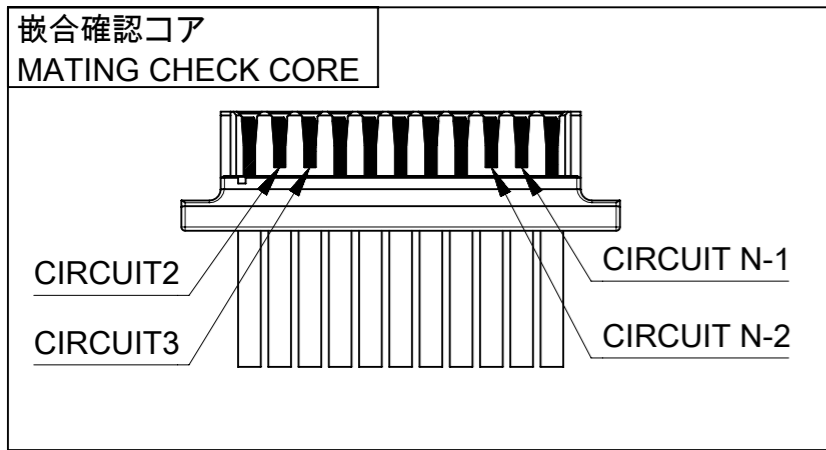
PRODUCT CUSTOMER DRAWING

molex

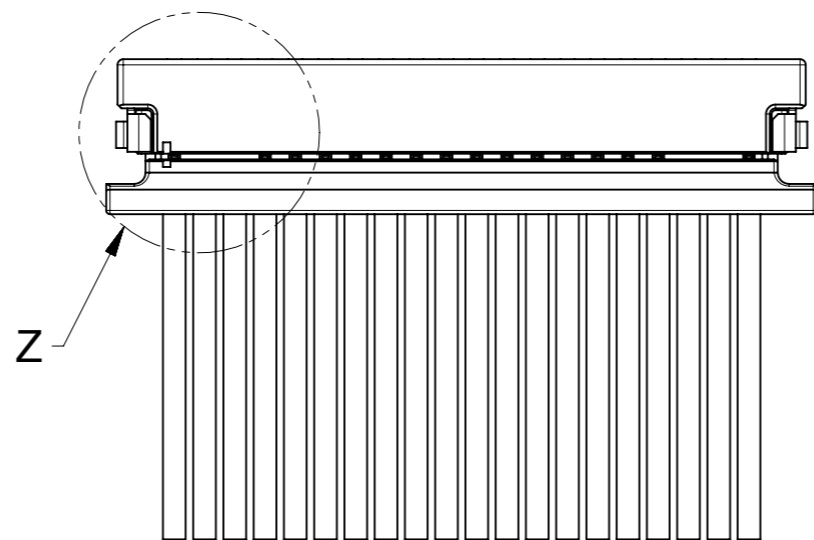
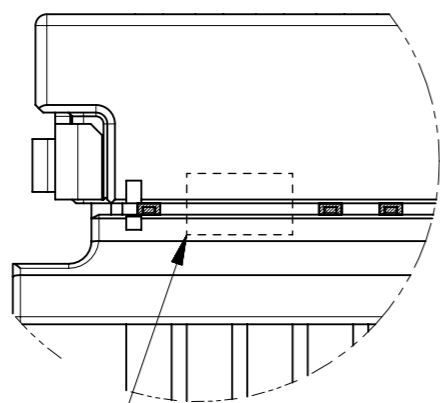
ZERO-HACHI 0.8 HDR SINGLE ROW RAASSY

半嵌合防止形状(11極 ~ 20極)

INCOMPLETE MATING PREVENTION SHAPE (11~20 CIRCUIT)



半嵌合状態では嵌合確認コアの
圧着端子が露出しています
THE EXPOSED TERMINAL CONTACTS IN MATING CHECK CORE
INDICATES THE CRIMP HOUSING IS NOT COMPLETELY MATED TO THE HEADER.



正しい位置まで嵌合すると嵌合確認コアの
圧着端子が隠れて目視出来なくなります。
WHEN THE TERMINAL CONTACTS IN MATING CHECK CORE ARE NOT EXPOSED,
IT INDICATES THE CRIMP HOUSING IS COMPLETELY MATED TO THE HEADER.

△ 8 発注番号一覧 ORDER NUMBER LIST

| 黒 BLACK | ハウジング色 HOUSING COLOR |
|---|----------------------------|
| 214721 0200 | 20 |
| 214721 0190 | 19 |
| 214721 0180 | 18 |
| 214721 0170 | 17 |
| 214721 0160 | 16 |
| 214721 0150 | 15 |
| 214721 0140 | 14 |
| 214721 0130 | 13 |
| 214721 0120 | 12 |
| 214721 0110 | 11 |
| 214721 0100 | 10 |
| 214721 0090 | 9 |
| 214721 0080 | 8 |
| 214721 0070 | 7 |
| 214721 0060 | 6 |
| 214721 0050 | 5 |
| 214721 0040 | 4 |
| 214721 0030 | 3 |
| 214721 0020 | 2 |
| 発注番号 ORDER NO. | 極数 CIRCUIT SIZE |
| 梱包形態 : エンボスリール PACKAGE:EMBOSSED REEL | |

THIS DRAWING CONTAINS INFORMATION THAT IS PROPRIETARY TO MOLEX ELECTRONIC TECHNOLOGIES, LLC AND SHOULD NOT BE USED WITHOUT WRITTEN PERMISSION

| | | | | | |
|--|------------------------|-------------------|--------------|-----------------|----------------------------|
| DIMENSION UNITS mm | SCALE NTS | CURRENT REV DESC: | molex | | |
| GENERAL TOLERANCES (UNLESS SPECIFIED) | ANGULAR TOL ± 3.0° | EC NO: 693607 | | | |
| 4 PLACES ± 0.2 | 3 PLACES ± 0.2 | DRWN: HKOBAYASHI | 2021/07/12 | | |
| 2 PLACES ± 0.2 | 1 PLACE ± 0.2 | CHK'D: AIDA | 2022/01/28 | | |
| 0 PLACES ± 0.2 | | APPR: SAKIYAMA | 2022/01/28 | | |
| DRAFT WHERE APPLICABLE MUST REMAIN WITHIN DIMENSIONS | THIRD ANGLE PROJECTION | DRAWING | SERIES | MATERIAL NUMBER | CUSTOMER |
| | | A3-SIZE | 214721 | 2147210000-SD | GENERAL |
| | | | | DOCUMENT NUMBER | DOC TYPE DOC PART REVISION |
| | | | | 2147210000-SD | PSD 000 A |
| | | | | | SHEET NUMBER |
| | | | | | 4 OF 4 |