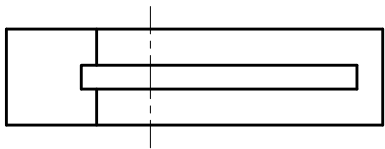
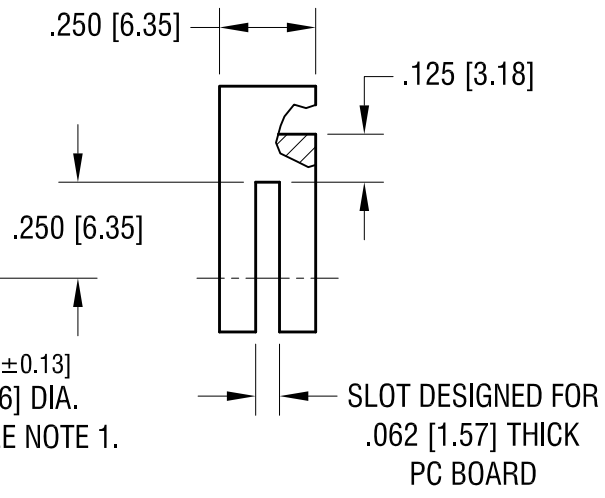
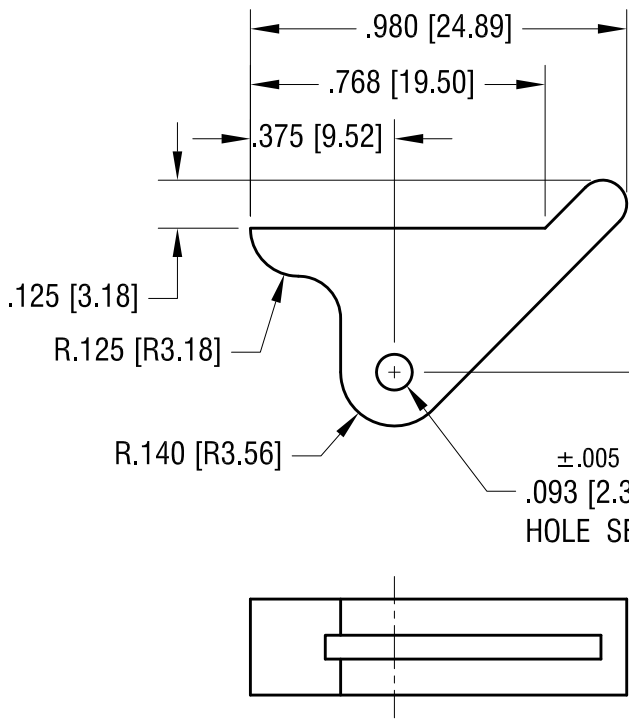
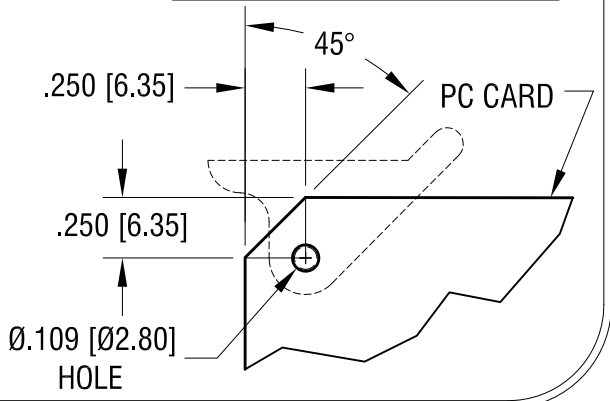


THIS DOCUMENT IS THE PROPERTY OF KEYSTONE ELECTRONICS CORP. AND SHALL NOT BE REPRODUCED, DISTRIBUTED OR USED AS A BASIS FOR MANUFACTURE WITHOUT PRIOR WRITTEN PERMISSION FROM KEYSTONE ELECTRONICS CORP.

CARD MOUNTING DIMENSIONS



NOTE:

- 1. SUPPLIED WITH A PASSIVATED STAINLESS STEEL SPRING PIN.

KEYSTONE ELECTRONICS CORP.			
www.keyelco.com • ASTORIA, N.Y. 11105-2017 • Tel (718) 956-8900			
PART NAME		PC BOARD CARD EJECTOR	
MATERIAL		WHITE NYLON 6/6 UL 94V-2	
FINISH	DRN BY	BOONE	DATE
-	APP'D	LN	11.30.04
TOLERANCES	INCH	[MM]	CODE
DECIMAL	± .010	[± 0.25]	C
ANGULAR	± 1°		
UNLESS OTHERWISE SPECIFIED			DWG NO.
			8644

DATE	DESCRIPTION	REV.	
------	-------------	------	--