



SPC  
TECHNOLOGY

ALL RIGHTS RESERVED. NO PORTION OF THIS PUBLICATION, WHETHER IN WHOLE OR IN PART CAN BE REPRODUCED WITHOUT THE EXPRESS WRITTEN CONSENT OF SPC TECHNOLOGY.

SPC-F005.DWG

REVISIONS		DOC. NO.	Effective: 7/8/02 * DCP No: 1398			
DCP #	REV	DESCRIPTION	DRAWN	DATE	CHECKD	DATE
			SD	01-08-10	JAG	05-08-10
					XXX	17-08-10



**Specifications:**

**Electrical:**

Contact rating : 15A @ 125 VAC, 10A @ 250VAC  
Contact resistance : 30 Milliohms Max.  
Insulation resistance : 1,000 Megohms Min. at 500 VDC  
Dielectric strength : 1,000 VRMS

**Mechanical:**

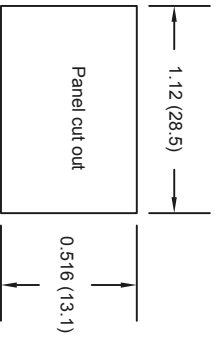
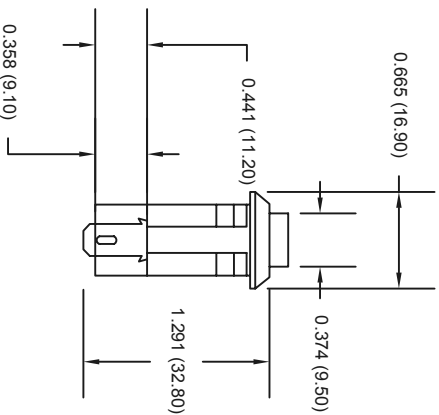
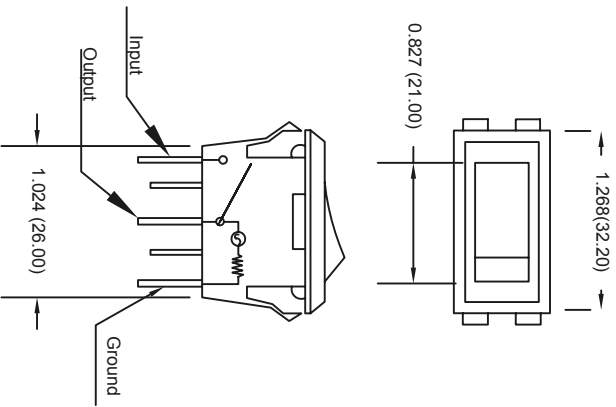
Life : 10,000 Cycles

**Environmental:**

Operating temperature : -30°C to +85°C

**Material:**

Housing : Nylon 6/6, UL94V-0, BLACK  
Actuator : Polycarbonate, Red  
Bushing : Brass, nickel plated  
Support : Brass, tin plated  
Contact/Terminals : Copper alloy, silver plated



Dimensions : Inches (mm)

Part Number Table

Description	Part Number
Lighted Rocker Switch - Red - SPST - ON-OFF	SPC21177

DISCLAIMER:  
ALL STATEMENTS AND TECHNICAL INFORMATION CONTAINED HEREIN ARE BASED UPON INFORMATION AND/OR TESTS WE BELIEVE TO BE ACCURATE AND RELIABLE. SINCE CONDITIONS OF USE ARE BEYOND OUR CONTROL, THE USER SHALL DETERMINE THE SUITABILITY OF THE PRODUCT FOR THE INTENDED USE AND ASSUME ALL RISK AND LIABILITY WHATSOEVER IN CONNECTION THEREWITH.

TOLERANCES:  
UNLESS OTHERWISE SPECIFIED, DIMENSIONS ARE FOR REFERENCE PURPOSES ONLY.

DRAWN BY:	DATE:
SD	01-08-10
CHECKED BY:	DATE:
JAG	05-08-10
APPROVED BY:	DATE:
XXX	17-08-10

DRAWING TITLE:		SCALE:		SHEET:	
Lighted Rocker Switch - Red - SPST - ON-OFF		NTS		1 OF 1	
SIZE	DWG. NO.	ELECTRONIC FILE	REV		
XXX	XXX	34C4461	A		
U.O.M.: INCHES [mm]					