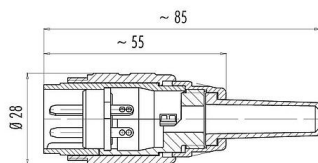


Product description **M25 Male cable connector, Contacts: 7, 5.0-8.0 mm, shieldable, solder, IP40**  
 Area **series 691**  
 Part no. **09 0041 00 07**

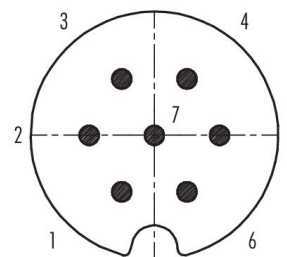
### Illustration



### Scale drawing



### Contact arrangement (Plug-in side)



You can find the assembly instructions on the next page.

## Technical data

### General features

Part no.	<b>09 0041 00 07</b>
Connector design	Male cable connector
Version	Connector pin straight
Connector locking system	screw
Termination	solder
Degree of protection	IP40
Cross-sectional area	0.75 mm <sup>2</sup> / AWG 18
Cable outlet	5.0-8.0 mm
Temperature range from/to	-40 °C / 85 °C
Mechanical operation	> 500 Mating cycles
Weight (g)	40.34
Customs tariff number	85369010
Country of Origin	DE

### Electrical parameters

Rated voltage	250 V
Rated impulse voltage	2500 V
Rated current	5.0 A
Insulation resistance	≥ 10 <sup>10</sup> Ω
Pollution degree	1
Overvoltage category	II
Insulating material group	III
EMC compliance	shieldable
Shield connection	Cable clamp and soldering lug

# Product data sheet

## Power connectors



Product description	<b>M25 Male cable connector, Contacts: 7, 5.0-8.0 mm, shieldable, solder, IP40</b>
Area	<b>series 691</b>
Part no.	<b>09 0041 00 07</b>

### Material

Housing material	GD-AL eloxiert
Contact body material	PET (UL94 V-0)
Contact material	CuZn (brass)
Contact plating	CuSnZn (Optalloy)
REACH SVHC	CAS 7439-92-1 (Lead)
SCIP number	469e6d4e-0818-4a5b-9137-47fe1e55fcc3

### Classifications

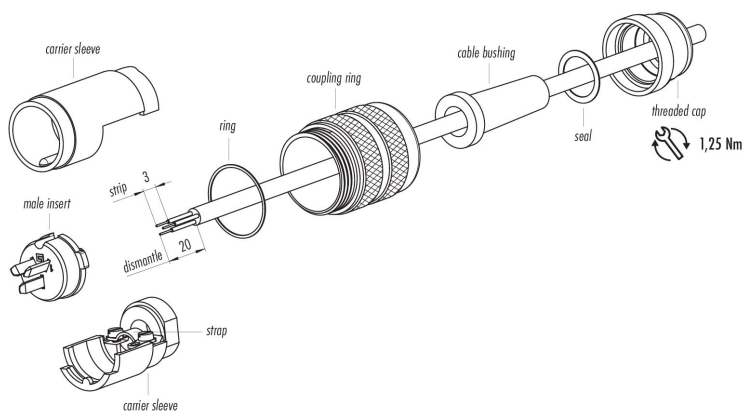
eCl@ss 11.1	27-44-01-09
ETIM 9.0	EC003569

### Declarations of conformity

Low Voltage Directive	2014/35/EU (EN 60204-1:2018;EN 60529:1991)
-----------------------	--

### Assembly instructions

1. Bead threaded cap, seal, cable bushing and bayonet ring to cable.
2. Loosen strap on carrier sleeve.
3. Bead carrier sleeve.
4. Dismantle cable, strip and connect single wires.
5. Mount male insert on carrier sleeve and screw the cable to the strap.
6. Fit the upper carrier sleeve.
5. Bead ring and coupling ring and screw on with threaded cap.



Product description	<b>M25 Male cable connector, Contacts: 7, 5.0-8.0 mm, shieldable, solder, IP40</b>
Area	<b>series 691</b>
Part no.	<b>09 0041 00 07</b>

## Security notices

The connector must not be plugged or unplugged under load. Non-observance and improper use can result in personal injury.

The connectors have been developed for applications in plant engineering, control and electrical equipment construction. The user is responsible for checking whether the connectors can also be used in other areas of application.

To protect against unintentional opening of the connector, the thread between the housing and the connector head must be secured with a suitable cyanoacrylate adhesive when used in circuits with voltages dangerous to the touch. This does not apply to connectors used in SELV and PELV circuits according to IEC 61140 (EN 61140, VDE 0140-1).

Connectors which are used in circuits with voltages dangerous to the touch may only be installed and used by, or under the supervision of, persons with electrical engineering training, taking into account the applicable regulations and standards.