

EV-T2CCS-PARK - Charging connector holder



1624153

<https://www.phoenixcontact.com/us/products/1624153>

Please be informed that the data shown in this PDF document is generated from our online catalog. Please find the complete data in the user documentation. Our general terms of use for downloads are valid.



CHARX connect standard, Charging connector holder, Accessories, for vehicle charging connectors on charging stations (EVSE), CCS type 2, IEC 62196-3, Front mounting, housing: black, Item is not compatible with the HPC CCS type 2 charging cable from Phoenix Contact.

Product description

Retainer for Vehicle Connector as parking position at charging stations for E-Mobility (EVSE)

Commercial data

| | |
|--------------------------------------|--------------------|
| Item number | 1624153 |
| Packing unit | 1 pc |
| Minimum order quantity | 1 pc |
| Sales key | EM01 |
| Product key | XWBAJD |
| Catalog page | Page 43 (C-7-2019) |
| GTIN | 4055626242873 |
| Weight per piece (including packing) | 182.9 g |
| Weight per piece (excluding packing) | 140 g |
| Customs tariff number | 39269097 |
| Country of origin | DE |

EV-T2CCS-PARK - Charging connector holder



1624153

<https://www.phoenixcontact.com/us/products/1624153>

Technical data

Notes

| | |
|---------------------|---|
| Note on application | Item is not compatible with the HPC CCS type 2 charging cable from Phoenix Contact. |
|---------------------|---|

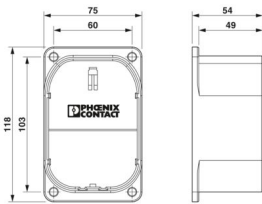
Product properties

| | |
|-------------------|---|
| Product type | Charging connector holder |
| Product family | CHARX connect standard |
| Application | for vehicle charging connectors on charging stations (EVSE) |
| Type | Accessories |
| Technology | Combined Charging System |
| Charging standard | CCS type 2 |
| Charging mode | Mode 4 |

Data management status

| | |
|------------------|----|
| Article revision | 01 |
|------------------|----|

Dimensions

| | |
|---------------------|--|
| Dimensional drawing |  |
| Bore dimensions | 60 mm x 103 mm |

Material specifications

| | |
|--|--------------|
| Color (Housing) | black (9005) |
| Color (Handle area) | gray (7042) |
| Color (Mating face) | black (9005) |
| Color (Protective cap) | black (9005) |
| Color (Cable) | black (9005) |
| Flammability rating according to UL 94 | V0 () |

Mechanical properties

| | |
|----------|--|
| Securing | With locking clips for locking contour |
| Removal | Lifting and removal |

Environmental and real-life conditions

Ambient conditions

| | |
|---------------------------------|-------------------|
| Degree of protection | IP54 (plugged in) |
| Ambient temperature (operation) | -30 °C ... 50 °C |

EV-T2CCS-PARK - Charging connector holder



1624153

<https://www.phoenixcontact.com/us/products/1624153>

| | |
|---|------------------|
| Ambient temperature (storage/transport) | -40 °C ... 80 °C |
|---|------------------|

Standards and regulations

Standards

| | |
|-----------------------|-------------|
| Standards/regulations | IEC 62196-3 |
|-----------------------|-------------|

Mounting

| | |
|---|--|
| Mounting type Charging connector holder | Front mounting (0° ... 45° frontal inclination possible) |
| Thread type | () |
| Mounting hole diameter | 6.00 mm (ø) |

EV-T2CCS-PARK - Charging connector holder

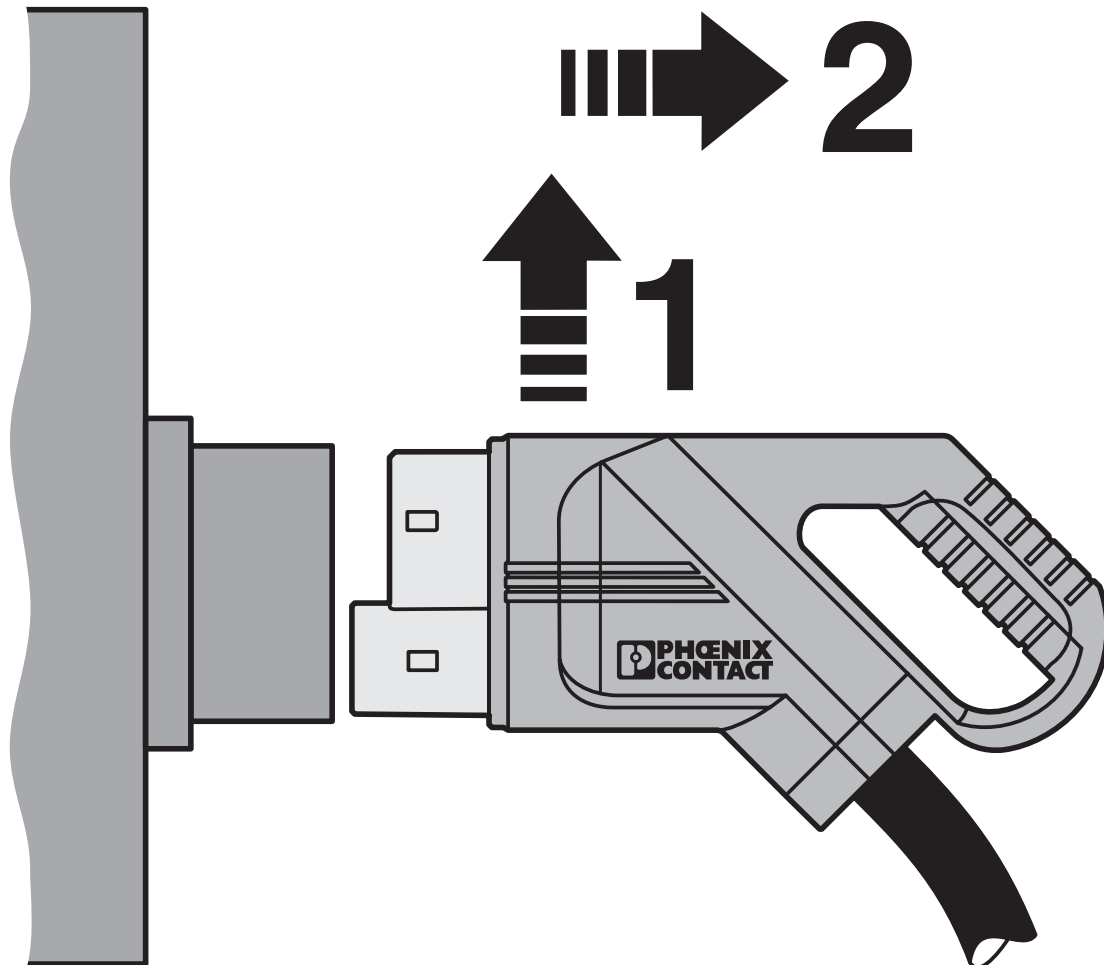


1624153

<https://www.phoenixcontact.com/us/products/1624153>

Drawings

Schematic diagram



The attached DC Vehicle Connector is raised in the holder, releasing it from the integrated locking clip, and it can then be removed.

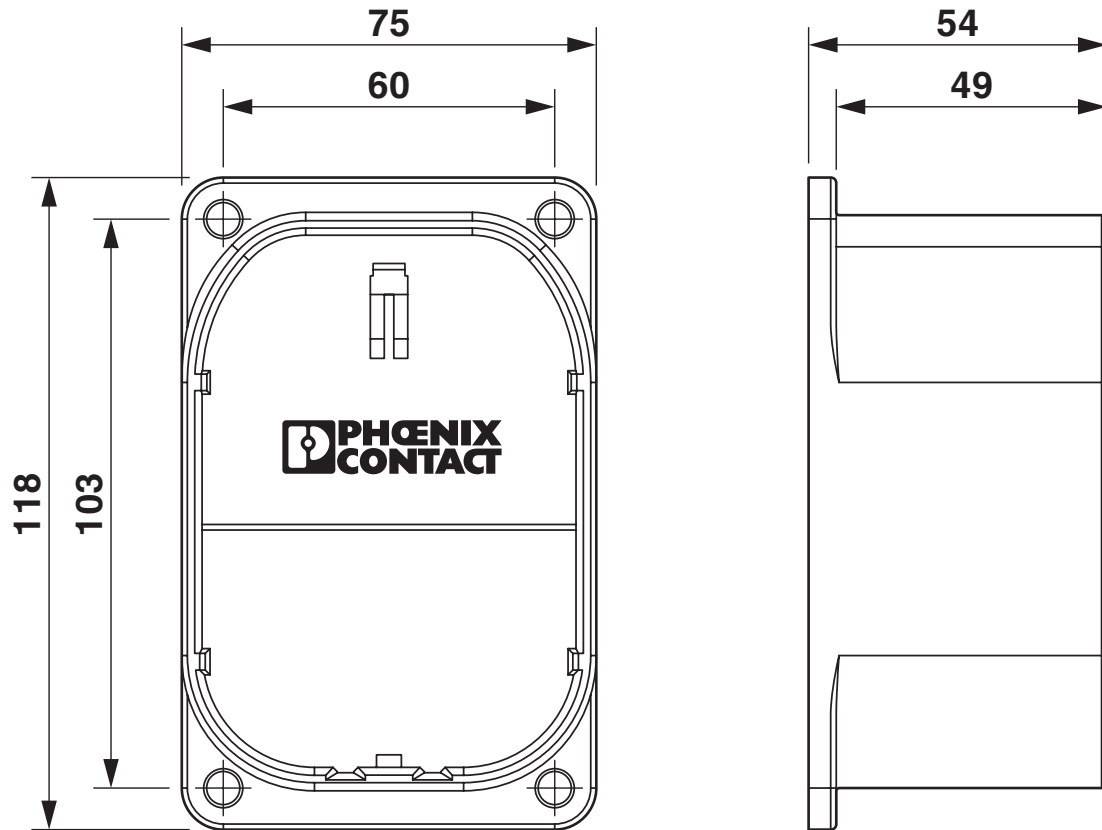
EV-T2CCS-PARK - Charging connector holder

1624153

<https://www.phoenixcontact.com/us/products/1624153>



Dimensional drawing



Dimensional drawing

EV-T2CCS-PARK - Charging connector holder



1624153

<https://www.phoenixcontact.com/us/products/1624153>

Classifications

ECLASS

| | |
|-------------|----------|
| ECLASS-11.0 | 27144792 |
| ECLASS-12.0 | 27144792 |
| ECLASS-13.0 | 27144792 |

ETIM

| | |
|----------|----------|
| ETIM 9.0 | EC002884 |
|----------|----------|

UNSPSC

| | |
|-------------|----------|
| UNSPSC 21.0 | 39121500 |
|-------------|----------|

EV-T2CCS-PARK - Charging connector holder



1624153

<https://www.phoenixcontact.com/us/products/1624153>

Environmental product compliance

EU RoHS

| | |
|---|---|
| Fulfills EU RoHS substance requirements | Not applicable, No electrical and electronic equipment (EEE), cannot be used in EEE |
|---|---|

China RoHS

| | |
|--|---|
| Environment friendly use period (EFUP) | EFUP-10 |
| | An article-related China RoHS declaration table can be found in the download area for the respective article under "Manufacturer declaration". For all articles with EFUP-E, no China RoHS declaration table issued and required. |

EU REACH SVHC

| | |
|-------------------------------------|----------------------------|
| REACH candidate substance (CAS No.) | No substance above 0.1 wt% |
|-------------------------------------|----------------------------|

Phoenix Contact 2024 © - all rights reserved
<https://www.phoenixcontact.com>

Phoenix Contact USA
586 Fulling Mill Road
Middletown, PA 17057, United States
(+717) 944-1300
info@phoenixcon.com