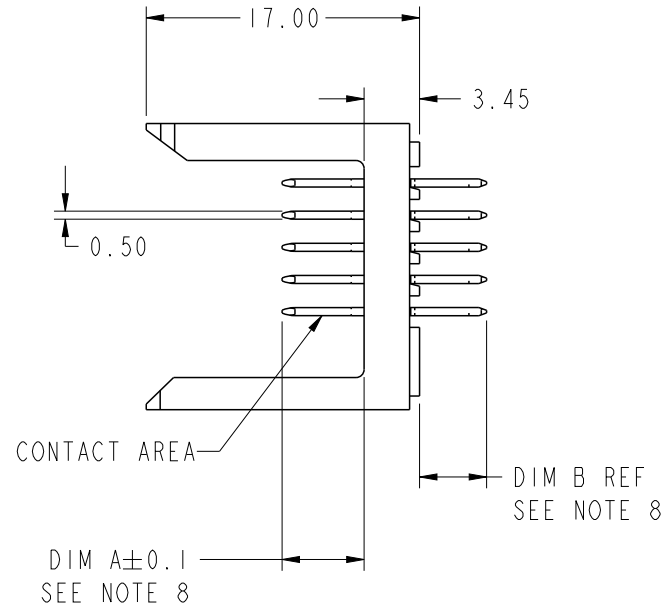
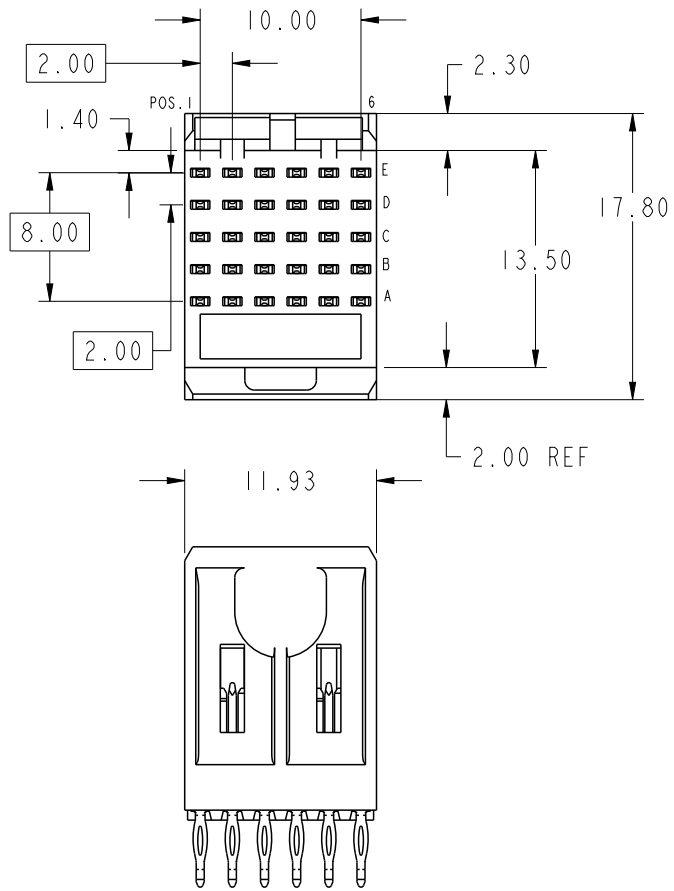
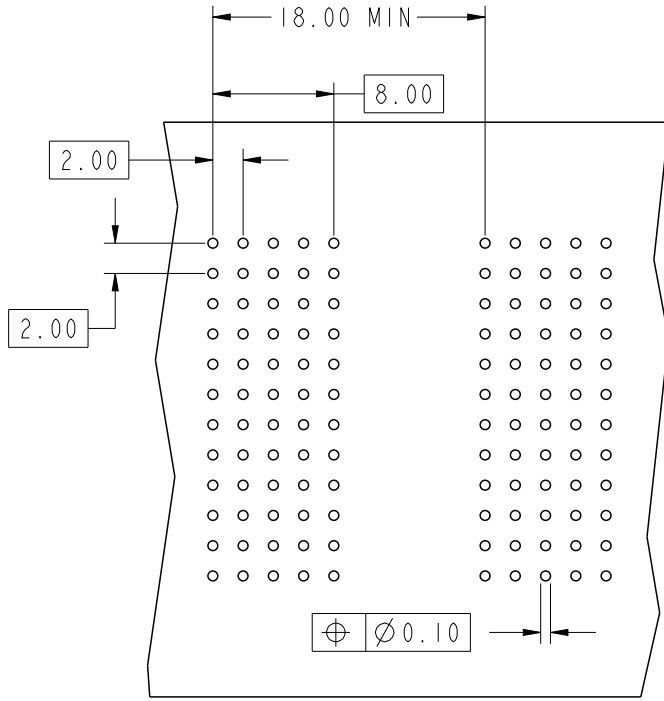


PRODUCT NUMBER
89006-XYLFF



spec ref *		dr Terran Huang 2010/07/09		projection 	mm 	size A4	scale 2:1
tolerance std ISO 406 ISO 1101		eng Narayanan, Aru 2018/07/12				ecn no ELX-I-30699-1	
TOLERANCES UNLESS OTHERWISE SPECIFIED		chr -				rel level Released	
surface 3.200 linear		0.X ±0.3	Amphenol FCi	product family METRAL		dwg no 89006	rev BM
ISO 1302		0.XX ±0.13		title METRAL SIGNAL HEADER			
		0.XXX ±0.050		1 MOD, 5 ROW PRESS-FIT			
angular 0° ±2°		www.fci.com		cat. no. -		Product - Customer Drw	
						sheet 1 of 9	



REQUIRED PC BOARD LAYOUT
COMPONENT SIDE
SEE PRINT 58351 FOR
ADDITIONAL PCB INFORMATION

KEY		
CODE	DIMENSIONS	
	DIM "A" MATE	DIM "B" TAIL
1	5.00	4.30
2	5.75	4.30
3	6.50	4.30
4	7.25	4.30
5	5.00	13.60
6	5.75	13.60
7	6.50	13.60
8	7.25	13.60
9	5.00	17.00
10	5.75	17.00
11	6.50	17.00
12	7.25	17.00
13	8.25	4.30
14	8.25	13.60
15	8.25	17.00
16	7.00	4.30
17	7.00	13.60
18	7.00	17.00
19	8.00	4.30
20	8.00	13.60
21	8.00	17.00
59	5.00	11.80

spec ref	*	dr	Terran Huang	2010/07/09	projection	mm	size	A4	scale	2:1	
tolerance std	TOLERANCES UNLESS OTHERWISE SPECIFIED	eng	Narayanan, Aru	2018/07/12				ecn no	ELX-I-30699-1		
ISO 406		chr	-	-		product family		METRAL	rel level	Released	
ISO 1101		appr	K-Paul Biju	2018/07/13			rev				
surface	3.200 linear	Amphenol FCI www.fci.com			title METRAL SIGNAL HEADER 1 MOD, 5 ROW PRESS-FIT		dwg no 89006		rev BM		
	0.X										± 0.3
	0.XX										± 0.13
	0.XXX	± 0.050	cat. no.		-		Product - Customer Drw		sheet 2 of 9		
ISO 1302	angular	0°	$\pm 2^\circ$								

A

B

C

D

METRAL P/N	ROW	CONTACT CODE MOD. I					
		1	2	3	4	5	6
89006-X10LF	E	1	1	1	1	1	1
	D	1	1	1	1	1	1
	C	1	1	1	1	1	1
	B	1	1	1	1	1	1
	A	1	1	1	1	1	1
89006-X14LF	E	4	4	4	4	4	4
	D	3	3	3	3	3	3
	C	4	4	4	4	4	4
	B	4	4	4	4	4	4
	A	4	4	4	4	4	4
89006-X19LF	E	4	4	4	4	4	4
	D	4	4	4	4	4	4
	C	4	4	4	4	4	4
	B	4	4	4	4	4	4
	A	4	4	4	4	4	4
89006-X23LF	E	8	8	8	8	8	8
	D	20	20	20	20	20	20
	C	8	8	8	8	8	8
	B	8	8	8	8	8	8
	A	8	8	8	8	8	8
89006-X27LF	E	6	6	6	6	6	6
	D	6	6	6	6	6	6
	C	6	6	6	6	6	6
	B	6	6	6	6	6	6
	A	20	20	20	20	20	20
89006-X32LF	E	12	12	12	12	12	12
	D	11	11	11	11	11	11
	C	11	11	11	11	11	11
	B	9	9	9	9	9	9
	A	9	9	9	9	9	9
89006-X11LF	E	3	3	3	3	3	3
	D	3	3	3	3	3	3
	C	3	3	3	3	3	3
	B	3	3	3	3	3	3
	A	3	3	3	3	3	3
89006-X15LF	E	1	1	1	1	1	1
	D	1	1	1	1	1	1
	C	1	1	1	1	1	1
	B	1	1	1	1	1	1
	A	3	3	3	3	3	3
89006-X20LF	E	5	5	5	5	5	5
	D	5	5	5	5	5	5
	C	5	5	5	5	5	5
	B	5	5	5	5	5	5
	A	5	5	5	5	5	5
89006-X24LF	E	8	8	8	8	8	8
	D	7	7	7	7	7	7
	C	8	8	8	8	8	8
	B	8	8	8	8	8	8
	A	8	8	8	8	8	8
89006-X29LF	E	8	8	8	8	8	8
	D	8	8	8	8	8	8
	C	8	8	8	8	8	8
	B	8	8	8	8	8	8
	A	8	8	8	8	8	8
89006-X33LF	E	12	12	12	12	12	12
	D	21	21	21	21	21	21
	C	12	12	12	12	12	12
	B	12	12	12	12	12	12
	A	12	12	12	12	12	12
89006-X12LF	E	4	4	4	4	4	4
	D	3	3	3	3	3	3
	C	3	3	3	3	3	3
	B	1	1	1	1	1	1
	A	1	1	1	1	1	1
89006-X16LF	E	2	2	2	2	2	2
	D	2	2	2	2	2	2
	C	2	2	2	2	2	2
	B	2	2	2	2	2	2
	A	2	2	2	2	2	2
89006-X21LF	E	7	7	7	7	7	7
	D	7	7	7	7	7	7
	C	7	7	7	7	7	7
	B	7	7	7	7	7	7
	A	7	7	7	7	7	7
89006-X25LF	E	5	5	5	5	5	5
	D	5	5	5	5	5	5
	C	5	5	5	5	5	5
	B	5	5	5	5	5	5
	A	7	7	7	7	7	7
89006-X30LF	E	9	9	9	9	9	9
	D	9	9	9	9	9	9
	C	9	9	9	9	9	9
	B	9	9	9	9	9	9
	A	9	9	9	9	9	9
89006-X34LF	E	12	12	12	12	12	12
	D	11	11	11	11	11	11
	C	12	12	12	12	12	12
	B	12	12	12	12	12	12
	A	12	12	12	12	12	12
89006-X13LF	E	4	4	4	4	4	4
	D	19	19	19	19	19	19
	C	4	4	4	4	4	4
	B	4	4	4	4	4	4
	A	4	4	4	4	4	4
89006-X17LF	E	2	2	2	2	2	2
	D	2	2	2	2	2	2
	C	2	2	2	2	2	2
	B	2	2	2	2	2	2
	A	19	19	19	19	19	19
89006-X22LF	E	8	8	8	8	8	8
	D	7	7	7	7	7	7
	C	7	7	7	7	7	7
	B	5	5	5	5	5	5
	A	5	5	5	5	5	5
89006-X26LF	E	6	6	6	6	6	6
	D	6	6	6	6	6	6
	C	6	6	6	6	6	6
	B	6	6	6	6	6	6
	A	6	6	6	6	6	6
89006-X31LF	E	11	11	11	11	11	11
	D	11	11	11	11	11	11
	C	11	11	11	11	11	11
	B	11	11	11	11	11	11
	A	11	11	11	11	11	11
89006-X35LF	E	9	9	9	9	9	9
	D	9	9	9	9	9	9
	C	9	9	9	9	9	9
	B	9	9	9	9	9	9
	A	11	11	11	11	11	11

spec ref	*	dr	Terran Huang	2010/07/09	projection	mm	size	A4	scale	1:1
tolerance std	TOLERANCES UNLESS OTHERWISE SPECIFIED	eng	Narayanan, Aru	2018/07/12			ecn no	ELX-I-30699-1	rel level	Released
ISO 406		chr	-	-						
ISO 1101		appr	K-Paul Biju	2018/07/13	product family	METRAL				
surface	3.200									
	linear	0.X	±0.3	Amphenol FCI	METRAL SIGNAL HEADER		dwg no	89006	rev	BM
		0.XX	±0.13		1 MOD, 5 ROW PRESS-FIT					
	angular	0°	±2°		cat. no. -					
ISO 1302		www.fci.com			Product - Customer Drw			sheet 3 of 9		

A

B

C

D

METRAL P/N	ROW	CONTACT CODE MOD. I					
		1	2	3	4	5	6
89006-X36LF	E	10	10	10	10	10	10
	D	10	10	10	10	10	10
	C	10	10	10	10	10	10
	B	10	10	10	10	10	10
	A	10	10	10	10	10	10

METRAL P/N	ROW	CONTACT CODE MOD. I					
		1	2	3	4	5	6
89006-X41LF	E	2	2	2	2	2	2
	D	1	1	1	1	1	1
	C	2	2	2	2	2	2
	B	2	2	2	2	2	2
	A	3	3	3	3	3	3

METRAL P/N	ROW	CONTACT CODE MOD. I					
		1	2	3	4	5	6
89006-X45LF	E	1	1	1	1	1	1
	D	19	19	19	19	19	19
	C	1	1	1	1	1	1
	B	19	19	19	19	19	19
	A	1	1	1	1	1	1

METRAL P/N	ROW	CONTACT CODE MOD. I					
		1	2	3	4	5	6
89006-X49LF	E	4	4	4	4	4	4
	D	3	3	3	3	3	3
	C	3	3	3	3	3	3
	B	3	3	3	3	3	3
	A	19	19	19	19	19	19

METRAL P/N	ROW	CONTACT CODE MOD. I					
		1	2	3	4	5	6
89006-X53LF	E	6	6	6	6	6	6
	D	6	6	6	6	6	6
	C	6	6	6	6	6	6
	B	6	6	6	6	6	6
	A	8	8	8	8	8	8

METRAL P/N	ROW	CONTACT CODE MOD. I					
		1	2	3	4	5	6
89006-X57LF	E	6	6	6	6	6	6
	D	7	7	7	7	7	7
	C	6	6	6	6	6	6
	B	6	6	6	6	6	6
	A	7	7	7	7	7	7

METRAL P/N	ROW	CONTACT CODE MOD. I					
		1	2	3	4	5	6
89006-X37LF	E	10	10	10	10	10	10
	D	10	10	10	10	10	10
	C	10	10	10	10	10	10
	B	10	10	10	10	10	10
	A	21	21	21	21	21	21

METRAL P/N	ROW	CONTACT CODE MOD. I					
		1	2	3	4	5	6
89006-X42LF	E	2	2	2	2	2	2
	D	4	4	4	4	4	4
	C	4	4	4	4	4	4
	B	3	3	3	3	3	3
	A	4	4	4	4	4	4

METRAL P/N	ROW	CONTACT CODE MOD. I					
		1	2	3	4	5	6
89006-X46LF	E	2	2	2	2	2	2
	D	2	2	2	2	2	2
	C	4	4	4	4	4	4
	B	2	2	2	2	2	2
	A	2	2	2	2	2	2

METRAL P/N	ROW	CONTACT CODE MOD. I					
		1	2	3	4	5	6
89006-X50LF	E	6	6	6	6	6	6
	D	6	6	6	6	6	6
	C	6	6	6	6	6	6
	B	8	8	8	8	8	8
	A	6	6	6	6	6	6

METRAL P/N	ROW	CONTACT CODE MOD. I					
		1	2	3	4	5	6
89006-X54LF	E	5	5	5	5	5	5
	D	7	7	7	7	7	7
	C	8	8	8	8	8	8
	B	7	7	7	7	7	7
	A	5	5	5	5	5	5

METRAL P/N	ROW	CONTACT CODE MOD. I					
		1	2	3	4	5	6
89006-X58LF	E	20	20	20	20	20	20
	D	20	20	20	20	20	20
	C	20	20	20	20	20	20
	B	20	20	20	20	20	20
	A	20	20	20	20	20	20

METRAL P/N	ROW	CONTACT CODE MOD. I					
		1	2	3	4	5	6
89006-X39LF	E	12	12	12	12	12	12
	D	12	12	12	12	12	12
	C	12	12	12	12	12	12
	B	12	12	12	12	12	12
	A	12	12	12	12	12	12

METRAL P/N	ROW	CONTACT CODE MOD. I					
		1	2	3	4	5	6
89006-X43LF	E	2	2	2	2	2	2
	D	2	2	2	2	2	2
	C	2	2	2	2	2	2
	B	2	2	2	2	2	2
	A	4	4	4	4	4	4

METRAL P/N	ROW	CONTACT CODE MOD. I					
		1	2	3	4	5	6
89006-X47LF	E	2	2	2	2	2	2
	D	3	3	3	3	3	3
	C	2	2	2	2	2	2
	B	2	2	2	2	2	2
	A	3	3	3	3	3	3

METRAL P/N	ROW	CONTACT CODE MOD. I					
		1	2	3	4	5	6
89006-X51LF	E	6	6	6	6	6	6
	D	5	5	5	5	5	5
	C	6	6	6	6	6	6
	B	6	6	6	6	6	6
	A	7	7	7	7	7	7

METRAL P/N	ROW	CONTACT CODE MOD. I					
		1	2	3	4	5	6
89006-X55LF	E	5	5	5	5	5	5
	D	20	20	20	20	20	20
	C	5	5	5	5	5	5
	B	20	20	20	20	20	20
	A	5	5	5	5	5	5

METRAL P/N	ROW	CONTACT CODE MOD. I					
		1	2	3	4	5	6
89006-X59LF	E	8	8	8	8	8	8
	D	7	7	7	7	7	7
	C	7	7	7	7	7	7
	B	7	7	7	7	7	7
	A	20	20	20	20	20	20

METRAL P/N	ROW	CONTACT CODE MOD. I					
		1	2	3	4	5	6
89006-X40LF	E	2	2	2	2	2	2
	D	2	2	2	2	2	2
	C	2	2	2	2	2	2
	B	4	4	4	4	4	4
	A	2	2	2	2	2	2

METRAL P/N	ROW	CONTACT CODE MOD. I					
		1	2	3	4	5	6
89006-X44LF	E	1	1	1	1	1	1
	D	3	3	3	3	3	3
	C	4	4	4	4	4	4
	B	3	3	3	3	3	3
	A	1	1	1	1	1	1

METRAL P/N	ROW	CONTACT CODE MOD. I					
		1	2	3	4	5	6
89006-X48LF	E	19	19	19	19	19	19
	D	19	19	19	19	19	19
	C	19	19	19	19	19	19
	B	19	19	19	19	19	19
	A	19	19	19	19	19	19

METRAL P/N	ROW	CONTACT CODE MOD. I					
		1	2	3	4	5	6
89006-X52LF	E	6	6	6	6	6	6
	D	8	8	8	8	8	8
	C	8	8	8	8	8	8
	B	7	7	7	7	7	7
	A	8	8	8	8	8	8

METRAL P/N	ROW	CONTACT CODE MOD. I					
		1	2	3	4	5	6
89006-X56LF	E	6	6	6	6	6	6
	D	6	6	6	6	6	6
	C	8	8	8	8	8	8
	B	6	6	6	6	6	6
	A	6	6	6	6	6	6

METRAL P/N	ROW	CONTACT CODE MOD. I					
		1	2	3	4	5	6
89006-X60LF	E	10	10	10	10	10	10
	D	10	10	10	10	10	10
	C	10	10	10	10	10	10
	B	12	12	12	12	12	12
	A	10	10	10	10	10	10

spec ref	*	dr	Terran Huang	2010/07/09	projection		size	A4	scale	1:1												
tolerance std	TOLERANCES UNLESS OTHERWISE SPECIFIED ISO 406 ISO 1101	eng	Narayanan, Aru	2018/07/12			mm 	ecn no		ELX-I-30699-1												
surface		3.200	chr	-				-	rel level		Released											
ISO 1302	<table border="1"> <tr> <td>linear</td> <td>0.X</td> <td>±0.3</td> </tr> <tr> <td></td> <td>0.XX</td> <td>±0.13</td> </tr> <tr> <td></td> <td>0.XXX</td> <td>±.050</td> </tr> <tr> <td>angular</td> <td>0°</td> <td>±2°</td> </tr> </table>	linear	0.X	±0.3		0.XX	±0.13		0.XXX	±.050	angular	0°	±2°	appr	K-Paul Biju	2018/07/13	product family		METRAL	rev		BM
linear	0.X	±0.3																				
	0.XX	±0.13																				
	0.XXX	±.050																				
angular	0°	±2°																				
www.fci.com		cat. no.		-		Product - Customer Drw		sheet 4 of 9														
		Amphenol FCI		METRAL SIGNAL HEADER 1 MOD, 5 ROW PRESS-FIT		dwg no		89006														

A

B

C

D

METRAL P/N	ROW	CONTACT CODE MOD. I						METRAL P/N	ROW	CONTACT CODE MOD. I						METRAL P/N	ROW	CONTACT CODE MOD. I						METRAL P/N	ROW	CONTACT CODE MOD. I						METRAL P/N	ROW	CONTACT CODE MOD. I													
		1	2	3	4	5	6			1	2	3	4	5	6			1	2	3	4	5	6			1	2	3	4	5	6			1	2	3	4	5	6	1	2	3	4	5	6		
89006-X61LF	E	10	10	10	10	10	10	89006-X65LF	E	9	9	9	9	9	9	89006-X69LF	E	12	12	12	12	12	12	89006-X73LF	E	4	4	4	4	4	4	89006-X77LF	E	3	3	3	3	3	3	89006-X81LF	E	7	7	7	7	7	7
	D	9	9	9	9	9	9		D	21	21	21	21	21	D		11	11	11	11	11	11	D		4	4	4	4	4	4	D		19	19	19	19	19	19	D		20	20	20	20	20	20	
	C	10	10	10	10	10	10		C	9	9	9	9	9	9		C	11	11	11	11	11	11		C	4	4	4	4	4	4		C	4	4	4	4	4	4		C	7	7	7	7	7	7
	B	10	10	10	10	10	10		B	21	21	21	21	21	21		B	11	11	11	11	11	11		B	4	4	4	4	4	4		B	3	3	3	3	3	3		B	20	20	20	20	20	20
	A	11	11	11	11	11	11		A	9	9	9	9	9	9		A	21	21	21	21	21	21		A	13	13	13	13	13	13		A	3	3	3	3	3	3		A	7	7	7	7	7	7

spec ref	*	dr	Terran Huang	2010/07/09	projection	mm	size	A4	scale	1:1
tolerance std	ISO 406 ISO 1101	eng	Narayanan, Aru	2018/07/12			ecn no	ELX-I-30699-1		
TOLERANCES UNLESS OTHERWISE SPECIFIED		chr	-	-				rel level	Released	
surface	3.200 linear	appr	K-Paul Biju	2018/07/13	product family		METRAL		rev	BM
	ISO 1302				METRAL SIGNAL HEADER		89006			
	angular				1 MOD, 5 ROW PRESS-FIT					
		0.X	±0.3	www.fci.com	cat. no.	-	Product - Customer Drw		sheet 5 of 9	
		0.XX	±0.13							
		0.XXX	±.050							
		0°	±2°							

A

B

C

D

METRAL P/N	ROW	CONTACT CODE MOD. I					
		1	2	3	4	5	6
89006-X85LF	E	7	7	7	7	7	7
	D	7	7	7	7	7	7
	C	6	6	6	6	6	6
	B	7	7	7	7	7	7
	A	7	7	7	7	7	7

spec ref	*	dr	Terran Huang	2010/07/09	projection	mm	size	A4	scale	1:1
tolerance std	ISO 406 ISO 1101	eng	Narayanan, Aru	2018/07/12			ecn no	ELX-I-30699-1		
surface	3.200 ✓ ISO 1302	chr	-	-			rel level	Released		
	near	appr	K-Paul Biju	2018/07/13	product family	METRAL			rev	BM
	angular	Amphenol FCI		METRAL SIGNAL HEADER			dwg no	89006		
	0.X ±0.3	www.fci.com		1 MOD, 5 ROW PRESS-FIT			Product - Customer Drw		sheet 6 of 9	
	0.XX ±0.13	cat. no.		-			STATUS:Released		Printed: Jul 13, 2018	
	0.XXX ±.050									
	0° ±2°									

A

B

C

D

METRAL P/N	ROW	CONTACT CODE MOD. I					
		1	2	3	4	5	6
89006-X109LF	E	59	59	59	59	59	59
	D	59	59	59	59	59	59
	C	59	59	59	59	59	59
	B	59	59	59	59	59	59
	A	77	77	77	77	77	77
89006-X113LF	E	66	66	66	66	66	65
	D	66	66	66	66	66	66
	C	66	66	66	66	66	66
	B	66	66	66	66	66	66
	A	66	66	66	66	66	66
89006-X117LF	E	66	66	66	66	66	66
	D	86	66	66	66	66	66
	C	66	66	66	66	66	66
	B	66	86	66	66	66	66
	A	66	86	66	66	66	66
89006-X121LF	E	86	66	66	66	66	66
	D	86	66	66	66	66	66
	C	56	66	66	66	66	66
	B	86	66	66	66	66	66
	A	86	66	66	66	66	66
89006-X125LF	E	66	66	66	66	66	66
	D	66	66	66	66	66	66
	C	20	20	20	20	20	20
	B	66	66	66	66	66	66
	A	66	66	66	66	66	66
89006-X129LF	E	22	22	22	22	44	44
	D	22	22	22	22	44	44
	C	22	22	22	22	44	42
	B	22	22	22	22	44	44
	A	22	22	22	22	22	21
89006-X110LF	E	32	22	22	22	22	22
	D	32	22	22	22	22	22
	C	32	22	22	22	22	22
	B	32	22	22	22	22	22
	A	32	22	22	22	22	22
89006-X114LF	E	42	23	32	42	42	42
	D	42	23	32	42	42	42
	C	42	23	32	42	42	42
	B	42	23	32	42	42	42
	A	42	23	32	42	42	42
89006-X118LF	E	86	66	66	66	66	66
	D	86	66	66	66	66	66
	C	86	66	66	66	66	66
	B	86	66	66	66	66	66
	A	86	66	66	66	66	66
89006-X122LF	E	33	32	22	22	22	22
	D	22	22	22	22	22	22
	C	22	22	22	22	22	22
	B	22	22	22	22	22	22
	A	22	22	22	22	22	22
89006-X126LF	E	22	22	42	22	22	22
	D	22	22	42	22	22	22
	C	22	22	42	22	22	22
	B	22	22	42	22	22	22
	A	22	22	22	22	22	22
89006-X130LF	E	22	22	22	22	22	22
	D	44	44	44	44	44	44
	C	44	44	44	44	44	44
	B	44	44	44	44	44	44
	A	22	22	22	22	22	22
89006-X111LF	E	22	22	22	22	23	23
	D	22	22	22	22	23	23
	C	22	22	22	22	23	23
	B	22	22	22	22	23	23
	A	22	22	22	22	23	23
89006-X115LF	E	22	22	12	22	22	22
	D	22	22	12	22	22	22
	C	22	22	12	22	22	22
	B	22	22	12	22	22	22
	A	12	22	12	22	22	22
89006-X119LF	E	22	22	22	22	22	22
	D	22	22	22	22	22	22
	C	12	22	22	22	22	22
	B	12	22	22	22	22	22
	A	12	22	22	22	22	22
89006-X123LF	E	22	22	22	22	22	22
	D	22	22	22	22	22	22
	C	19	19	19	19	19	19
	B	22	22	22	22	22	22
	A	22	22	22	22	22	22
89006-X127LF	E	22	42	22	22	22	22
	D	24	42	22	22	22	22
	C	24	42	22	22	22	22
	B	24	42	22	22	22	22
	A	22	42	22	22	22	22
89006-X131LF	E	86	66	86	66	66	66
	D	86	66	86	66	66	66
	C	88	88	88	56	66	66
	B	86	66	86	66	66	66
	A	86	66	86	66	66	66
89006-X112LF	E	76	66	66	66	66	66
	D	76	66	66	66	66	66
	C	76	66	66	66	66	66
	B	76	66	66	66	66	66
	A	76	66	66	66	66	66
89006-X116LF	E	56	66	66	66	66	66
	D	56	66	66	66	66	66
	C	56	66	66	66	66	66
	B	56	66	66	66	66	66
	A	56	66	66	66	66	66
89006-X120LF	E	22	22	22	22	42	42
	D	22	22	22	22	42	42
	C	22	22	22	22	42	42
	B	22	22	22	22	42	42
	A	22	22	22	22	42	42
89006-X124LF	E	22	22	12	22	22	22
	D	22	22	22	22	22	22
	C	22	22	22	22	22	22
	B	22	22	22	22	22	22
	A	22	22	22	22	22	22
89006-X128LF	E	22	22	42	22	22	22
	D	22	22	42	42	22	22
	C	22	22	42	42	22	22
	B	22	22	42	42	22	22
	A	22	22	42	42	22	22
89006-X132LF	E	86	76	66	66	66	66
	D	86	76	66	66	66	66
	C	56	66	86	66	66	66
	B	88	78	86	66	66	66
	A	88	78	86	66	66	66

spec ref	*	dr	Terran Huang	2010/07/09	projection	mm	size	A4	scale	1:1
tolerance std	ISO 406 ISO 1101	eng	Narayanan, Aru	2018/07/12			ecn no	ELX-I-30699-1		
TOLERANCES UNLESS OTHERWISE SPECIFIED		chr	-	-				rel level	Released	
surface	3.200 ✓ ISO 1302	appr	K-Paul Biju	2018/07/13	product family		METRAL		rev	BM
	0.X ±0.3 0.XX ±0.13 0.XXX ±.050	Amphenol FCI		METRAL SIGNAL HEADER			dwg no		89006	
	angular 0° ±2°	www.fci.com		1 MOD, 5 ROW PRESS-FIT			Product - Customer Drw		sheet 7 of 9	

A

B

C

D

METRAL P/N	ROW	CONTACT CODE MOD. I						METRAL P/N	ROW	CONTACT CODE MOD. I						METRAL P/N	ROW	CONTACT CODE MOD. I						METRAL P/N	ROW	CONTACT CODE MOD. I						METRAL P/N	ROW	CONTACT CODE MOD. I																										
		1	2	3	4	5	6			1	2	3	4	5	6			1	2	3	4	5	6			1	2	3	4	5	6			1	2	3	4	5	6	1	2	3	4	5	6															
89006-X133LF	E	2	2	2	2	2	89006-X137LF	E	2	2	2	3	3	2	89006-X141LF	E	1	1	1	1	3	3	89006-X145LF	E	5	5	1	1	7	5	89006-X149LF	E	2	2	2	2	2	1	89006-X153LF	E	2	2	2	2	2	2														
	D	2	2	2	2	2		D	2	2	2	3	3	2		D	1	1	1	1	3	3		D	5	5	1	1	7	5		D	2	2	2	2	2	2		D	2	2	2	2	2	2														
	C	2	2	2	2	2		C	2	2	2	3	3	2		C	3	3	3	3	3	3		C	5	5	1	1	7	7		C	2	2	2	2	2	2		C	2	2	2	2	2	2	C	2	2	2	2	2	2							
	B	2	2	2	2	2		B	2	2	2	3	3	2		B	1	1	1	1	3	1		B	5	5	1	1	7	5		B	2	2	2	2	2	2		B	2	2	2	2	2	2	B	2	2	2	2	2	2	B	2	2	2	2	2	2
	A	2	2	1	2	2		2	A	2	2	2	3	3		2	A	1	1	1	1	3		1	A	5	5	1	1	7		5	A	2	2	2	2	2		2	A	2	2	2	2	2	2	A	2	2	2	2	2	2	A	4	2	2	2	2

A

B

C

D

spec ref	*	dr	Terran Huang	2010/07/09	projection	mm	size	A4	scale	1:1
tolerance std	ISO 406 ISO 1101	eng	Narayanan, Aru	2018/07/12			ecn no	ELX-I-30699-1		
	TOLERANCES UNLESS OTHERWISE SPECIFIED	chr	-	-				rel level	Released	
surface	3.200 ✓ ISO 1302	appr	K-Paul Biju	2018/07/13	product family	METRAL			rev	BM
	0.X ±0.3 0.XX ±0.13 0.XXX ±.050 angular 0° ±2°	Amphenol FCI		METRAL SIGNAL HEADER 1 MOD, 5 ROW PRESS-FIT			rel level	Released		
		www.fci.com	cat. no.	-	Product - Customer Drw	sheet	8 of 9			

PRODUCT NUMBER

89006-XYLFL

NOTES:

1. FOR DIM A AND B SEE SHEET 2 AND UP.
2. BODY MATERIAL: LIQUID CRYSTAL
POLYMER 30 % GLASS.
FLAME RETARDANT ACC. UL 94-V0.
3. PIN MATERIAL:
PHOSPHOR BRONZE.
4. PLATING ON PRESS-FIT TAIL:
73931-XYLFL IS SN (LEAD FREE)
PLATING ON CONTACT AREA CONFORMS TO PERFORMANCE
LEVEL SHOWN IN TABLE BELOW.

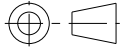
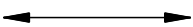
PLATING IN CONTACT AREA		
DASH NUMBER	PERFORMANCE LEVEL	NOTES
-NIYY	TELCORDIA CO (NXT) IEC CLASS I	SEE NOTE 9
-N5YFL	TELCORDIA UE (NXT)	SEE NOTE 9
-IYYLF	TELCORDIA CO IEC CLASS I	SEE NOTE 9
-2YYLF	TELECOM CLASS	SEE NOTE 9
-5YYLF	TELCORDIA UE	SEE NOTE 9

5. PRODUCT MARKING:
PART NUMBER DESIGNATION & BATCH I.D.
6. ALL PRODUCTS WITH PART NUMBERS SHOWN IN
SUBSEQUENT TABLES WILL BE PACKAGED IN TUBES.
IF TRAY PACKAGING IS REQUIRED, A SUFFIX "P"
WILL BE ADDED TO THE END OF THE PART NUMBER.
EXAMPLE: XXXXX-XXXP
7. PRODUCT SPECIFICATION GS-12-180
APPLICATION SPECIFICATION BUS-20-073
8. AFTER INSERTION INTO CIRCUIT BOARD WITH
QUALIFIED TOOL.
9. THE PRODUCTS WHERE THE PART NUMBER ENDS IN LF MEET THE
EUROPEAN UNION DIRECTIVES AND OTHER COUNTRY REGULATIONS
AS DESCRIBED IN GS-47-0004.

ALL PRODUCTS EXCEPT THOSE WITH PART NUMBERS CONTAINING
(DRAWING NO.)-NI--- OR (DRAWING NO.)-N5---WILL WITHSTAND EXPOSURE
TO 260°C FOR 60 SECONDS IN A CONVECTION, INFRA-RED OR
VAPOR PHASE REFLOW OVEN. PART NUMBERS (DRAWING NO.)-NI---
AND (DRAWINGS NO.)-N5---WILL NOT WITHSTAND REFLOW AND Au CONTACT
SURFACE OF THE CONTACTS SHALL BE EXPOSED TO A MAXIMUM 140°C FOR
NO LONGER THAN 15 SECONDS IN A WAVE SOLDER APPLICATION.

10. -A PLATING HAS Au FLASH IN PRESS FIT AREA (LEAD FREE)

11. A  SYMBOL WILL BE NEXT TO ANY DIMENSION, VIEW, OR NOTE
WHICH HAS BEEN MODIFIED WITH THE CURRENT DRAWING REVISION.

spec ref	*	dr	Terran Huang	2010/07/09	projection 	mm 	size	A4	scale	1:1	
tolerance std	TOLERANCES UNLESS OTHERWISE SPECIFIED	eng	Narayanan, Aru	2018/07/12			ecn no	ELX-I-30699-1			
ISO 406 ISO 1101		chr	-	-			product family	METRAL			
surface	3.200	appr	K-Paul Biju	2018/07/13	rel level	Released					
	linear				product title	METRAL SIGNAL HEADER					
	0.X				dwg no	89006					
	0.XX				rev	BM					
	0.XXX				cat. no.	-					
	angular				Product - Customer Drw	sheet 9 of 9					
ISO 1302	0°				www.fci.com						