

PRODUCT NUMBER

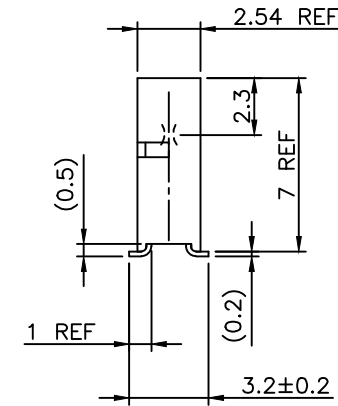
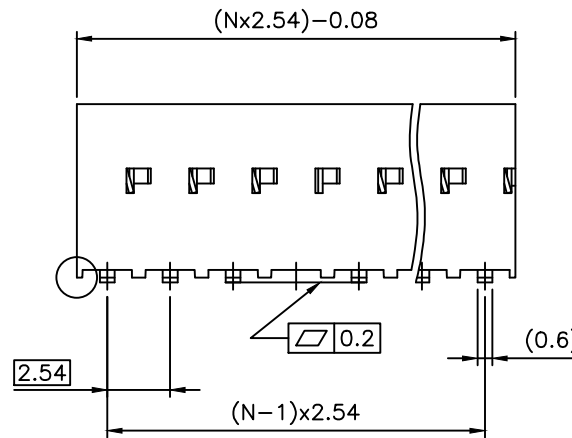
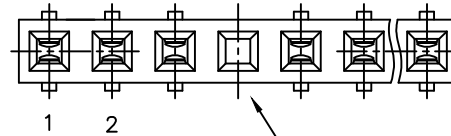
56600-YXXZLF

- RoHS COMPATIBLE, SEE NOTE 5
- PACKAGING OPTION, SEE NOTE 3
- NUMBER OF POSITIONS, SEE SHEET 2
- PLATING CODE
- 3= 0.76µm GOLD ON CONTACT AREA.
2µm MIN MATTE TIN ON TAIL.
- 4= 2µm MIN MATTE TIN FULL PLATED
- 1.27µm Ni MIN UNDERPLATING

NOTES:

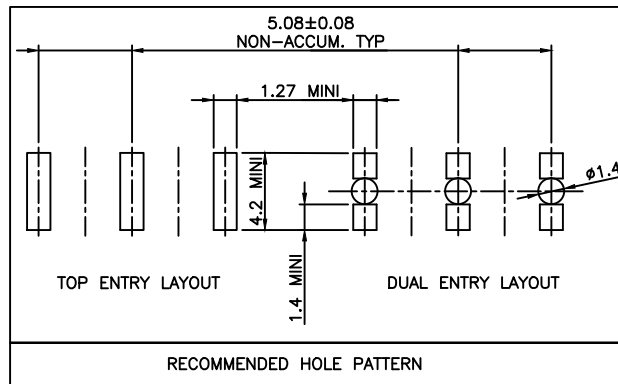
- 1 - HOUSING: THERMOPLASTIC GLASS FILLED
FLAME RETARDANT PER UL 94 V-0 COLOR: GREY.
- 2 - TERMINAL MATERIAL: PHOSPHOR BRONZE.
- 3 - STANDARD PACKAGING IN TUBE.
OPTIONNAL LETTER "A" FOR A TAPE & REEL
PACKAGING WITH PICK UP CAP
OPTIONNAL LETTER "K" FOR A TAPE & REEL
PACKAGING WITHOUT PICK UP CAP
- 4 - RECOMMENDED IR PROFILE PER TA842.
- 5 - RoHS COMPATIBLE PRODUCT SPECIFICATIONS
 - a - PLATING:
 - "LF" MEANS THE PRODUCT IS LEAD-FREE,
2µm MINIMUM MATTE TIN OVER 1.27µm
MINIMUM NICKEL UNDERPLATE.
 - b - MANUFACTURING PROCESS COMPATIBILITY
 - THE HOUSING WILL WITHSTAND EXPOSURE TO
260°C PEAK TEMPERATURE FOR 30 SECONDS
MAX IN A CONVECTION, INFRA-RED OR VAPOR
PHASE OR REFLOW OVEN.
 - c - LABELING:
 - MEETS PACKAGING SPECS AS PER GS-14-920
 - d - LEGAL STATEMENT: SEE GS-47-0004
- 6 - END STAND-OFFS FOR 2x2 UP TO 2X5 POS
NO END STAND-OFFS FOR 2x6 UP TO 2x50 POS

VIEW A



mat'l. code		surface		tolerance		projection		product family	
SEE NOTES		ISO 1302		ISO 406 ISO 1101		mm		Dubox	
ltr	ecn no	dr	date	tolerances unless otherwise specified		mm		title	
H	B-17256	LMU	14.03.20	angles	linear	mm		BtB recept.SMT	
J	B-19123	LMU	14.10.20	±2°		scale 5:1		VCC SR SELECTIVE LOADED	
K	B-19931	LMU	15.01.08					dwg no	
L	F-24378	AMA	16.06.24	dr	D.LEGRAND	01.12.14	sheet 1 of 2		size
				engr	P.NIZZI	01.12.14	56600		A3
F	F11-0043	LMU	12.02.22	chr	D.LEGRAND	01.12.14	type		CUSTOMER Drawing
G	F12-0043	LMU	12.06.07	appd	PNZ	01.12.14			
sheet	revision	L	C						
index	sheet	1	2						

PRODUCT NUMBER	NUMBER OF POS.	DIM"C"	DIM"D"	NB. OF TER.	CONTACT PLACED IN CAVITY																					
					1	2	3	4	5	6	7	8	9	10	11	12	13	14	15	16	17	18	19	20	21	22
56600-Y01LF	1 x 13	30.48	32.94	7	x		x		x		x		x		x		x		x		x		x			
56600-Y02LF	1 x 05	10.16	12.62	3	x		x		x																	
56600-Y03LF	1 x 09	10.16	12.62	7	x	x	x		x	x	x		x													
56600-Y04LF	1 x 22	53.34	55.80	20		x	x	x	x	x	x	x	x	x	x	x	x	x	x	x	x	x	x			
56600-Y05LF	1 x 03	5.08	7.54	2	x		x																			
56600-Y06LF	1 x 17	40.64	43.10	9	x		x		x		x		x		x		x		x		x		x			



mat'l. code		surface		tolerance		projection		product family	
SEE NOTES		ISO 1302 ✓		ISO 406 ISO 1101				Dubox	
ltr	ecn no	dr	date	tolerances unless otherwise specified				title	
A	F04-0347	DLE	04.11.09	angles	linear	mm		BtB recept.SMT	
B	F06-0204	DLE	06.06.19	±0.3		scale 5:1		Vert SR selct. load	
C	F-24378	AMA	16.06.24	±2°				sheet 2 of - size	
				dr	D.LEGRAND	04.11.09	56600		A3
				enr	P.NIZZI	04.11.09	type		CUSTOMER Drawing
				chr	D.LEGRAND	04.11.09			
				appd	PNZ	04.11.09			
sheet	revision								
index	sheet								

Mouser Electronics

Authorized Distributor

Click to View Pricing, Inventory, Delivery & Lifecycle Information:

[FCI / Amphenol:](#)

[56600-401LF](#) [56600-302ALF](#) [56600-303ALF](#) [56600-302KLF](#) [56600-303KLF](#) [56600-305ALF](#)