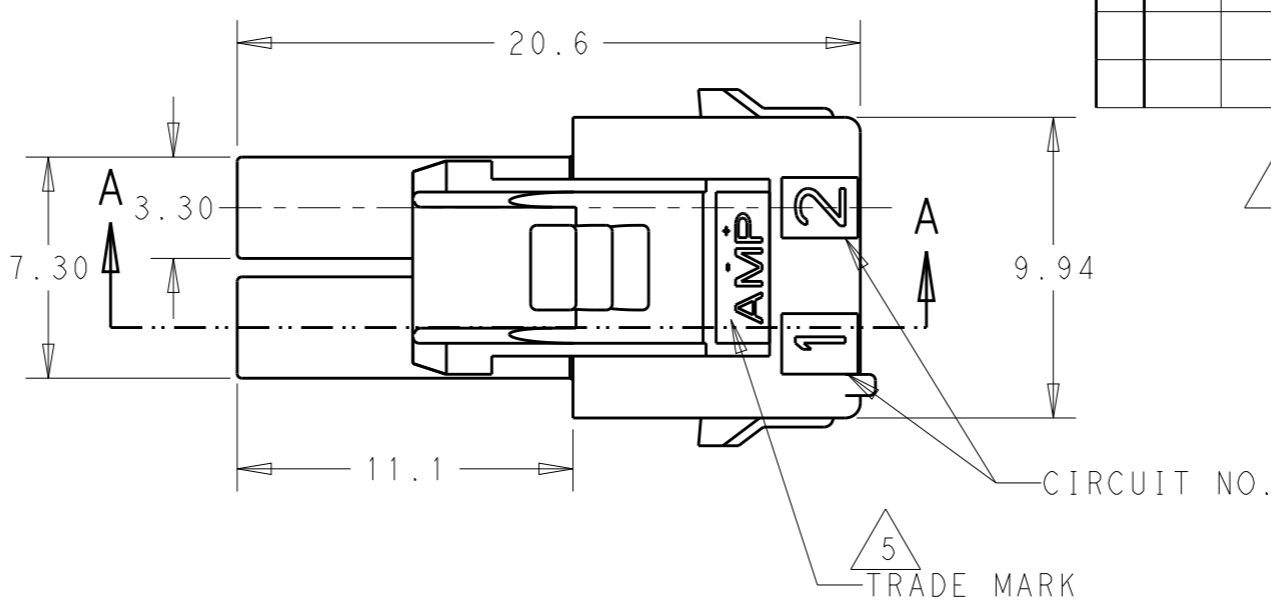


THIS DRAWING IS UNPUBLISHED. RELEASED FOR PUBLICATION 20
© COPYRIGHT 20 BY - ALL RIGHTS RESERVED.

REVISIONS

| P | LTR | DESCRIPTION | DATE | DWN | APVD |
|----|-----|-------------------------------|-----------|-----|------|
| E4 | | REVISED PER ECR ECR-19-017851 | 28NOV2019 | SM | DZ |
| E5 | | REVISED PRE ECR-20-100583 | 19OCT2020 | M.G | D.Z |

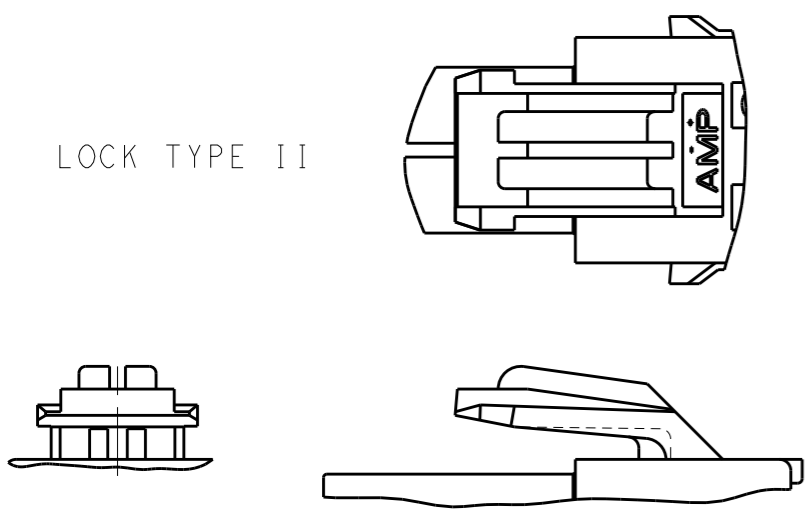
AS SHOWN LOCK TYPE I



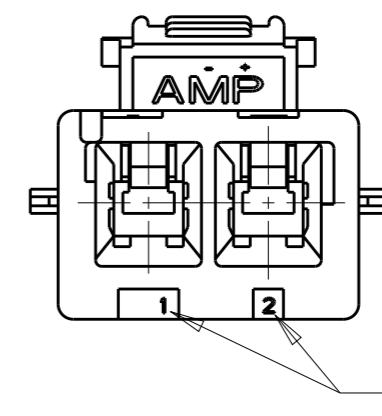
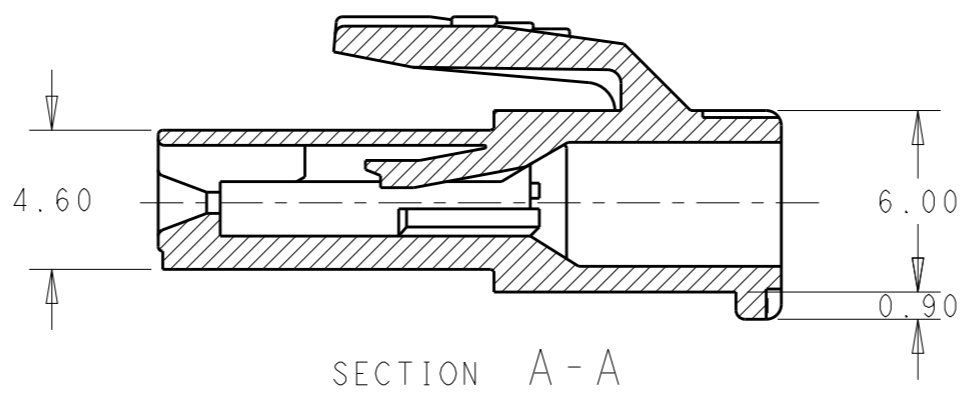
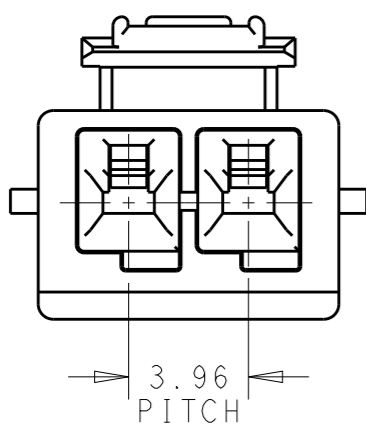
5 TABLE 1

| TRADE MARK | MANUFACTURING LOCATION |
|--------------|------------------------|
| - AMP OR AMP | JAPAN |
| +AMP OR AMP | CHINA (PRC) |
| ▲AMP OR AMP | KOREA |

LOCK TYPE II



SCALE 3:1



NOTES:

- 1 APPLICABLE CONTACT P/N
REC CONTACT : 177915-□ (#20-#16 AWG)
177914-□ (#26-#22 AWG)
- 2 MATING CONN. P/N
CAP HSG : 177906-□ (PANEL MOUNT)
TAB CONTACT : 177917-□ (#20-#16 AWG)
177916-□ (#26-#22 AWG)
- 3 APPLICABLE PLATE P/N : 177918-□
- 4 INSTRUCTION SHEET : 411-5638
- 5 SEE TABLE 1
- 6 ALL PARTS MEET RTI ELECTRICAL RATING OF 105C ACCORDING TO UL1977.

7 PART 5-177898-1 COMPLY WITH GLOW WIRE REQUIREMENT FOR PARTS OF NON-METALLIC MATERIAL SUPPORTING A CURRENT-CARRYING CONNECTION DETAILED IN IEC 60335-1, SECTION 30 (GWT)

| LOCK TYPE II | NATURAL | 2 | 3-177898-1 |
|--------------|---------------|----------|-------------|
| LOCK TYPE I | NATURAL | 2 | 5-177898-1 |
| | BLACK | 2 | 177898-9 |
| | BLUE | 2 | 177898-6 |
| | GREEN | 2 | 177898-5 |
| | YELLOW | 2 | 177898-4 |
| | RED | 2 | 177898-2 |
| NATURAL | 2 | 177898-1 | |
| LOCK TYPE | HOUSING COLOR | POS | PART NUMBER |

| | | | | |
|---|--|---------------------------------|---|----------------------|
| THIS DRAWING IS A CONTROLLED DOCUMENT. | | DWN M. SUZUKI 09SEP1993 | TE Connectivity | |
| DIMENSIONS: mm | | CHK M. SHINDO 09SEP1993 | | |
| TOLERANCES UNLESS OTHERWISE SPECIFIED: | | APVD Y. KASHIWA 09SEP1993 | NAME AMP POWER DBL LOCK CONN, 3.96mm PITCH 2 Pos PLUG HOUSING (SGL ROW) | |
| 0 PLC ± 1 PLC ±0.25 2 PLC ±0.20 3 PLC ± 4 PLC ± ANGLES ±3° | | PRODUCT SPEC 108-5410 | SIZE A3 | |
| MATERIAL 6/6 NYLON (UL 94V-0) | | APPLICATION SPEC 114-5175 | CAGE CODE 00779 | DRAWING NO 177898 |
| FINISH | | WEIGHT | RESTRICTED TO | |
| | | CUSTOMER DRAWING | SCALE 5:1 | SHEET 1 OF 1 |
| | | | REV E5 | |