

SCALA NON IMPEGNATIVA  
(DO NOT SCALE)  
DIMENSIONI IN mm  
(DIMENSIONS IN)

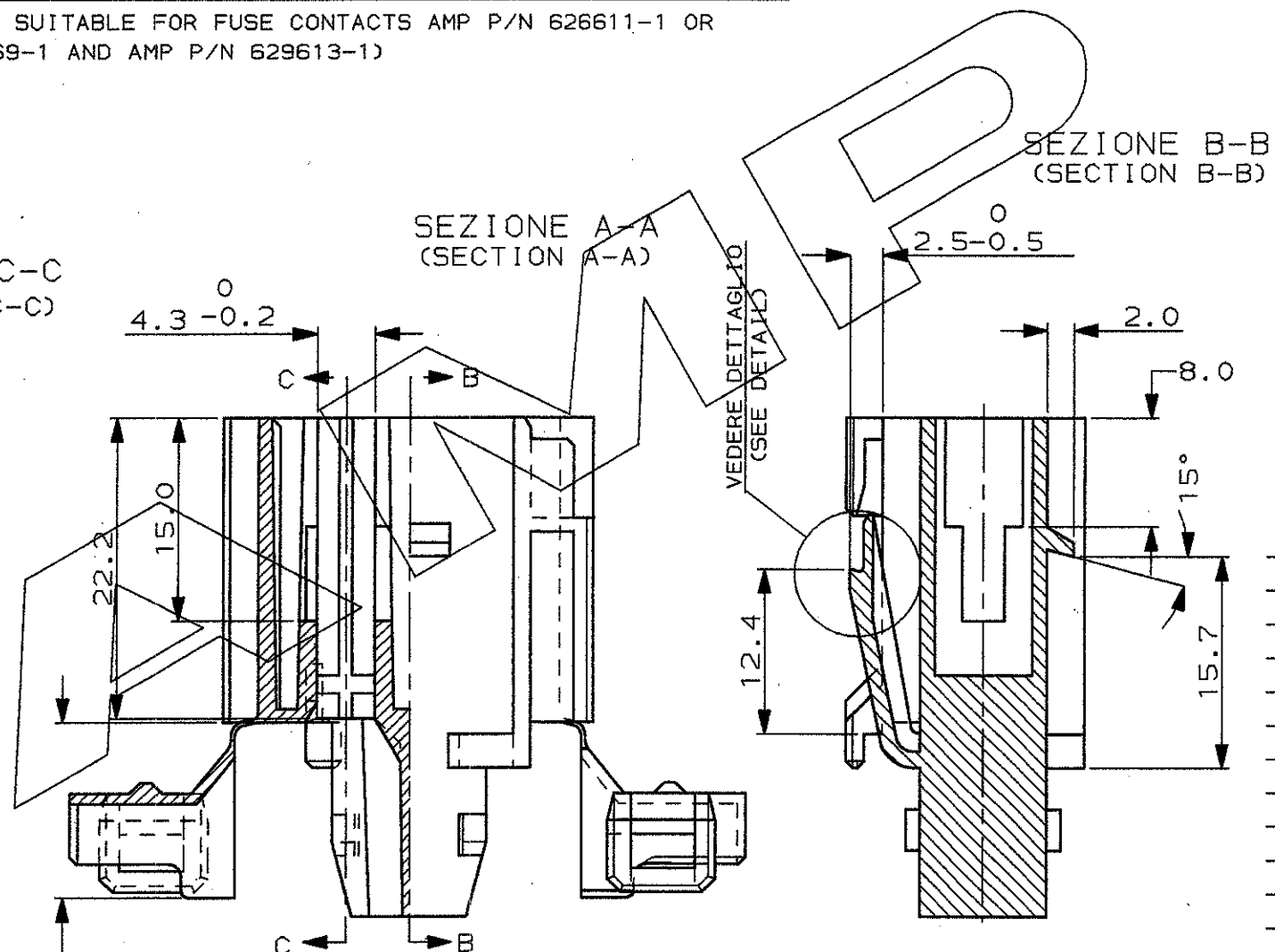
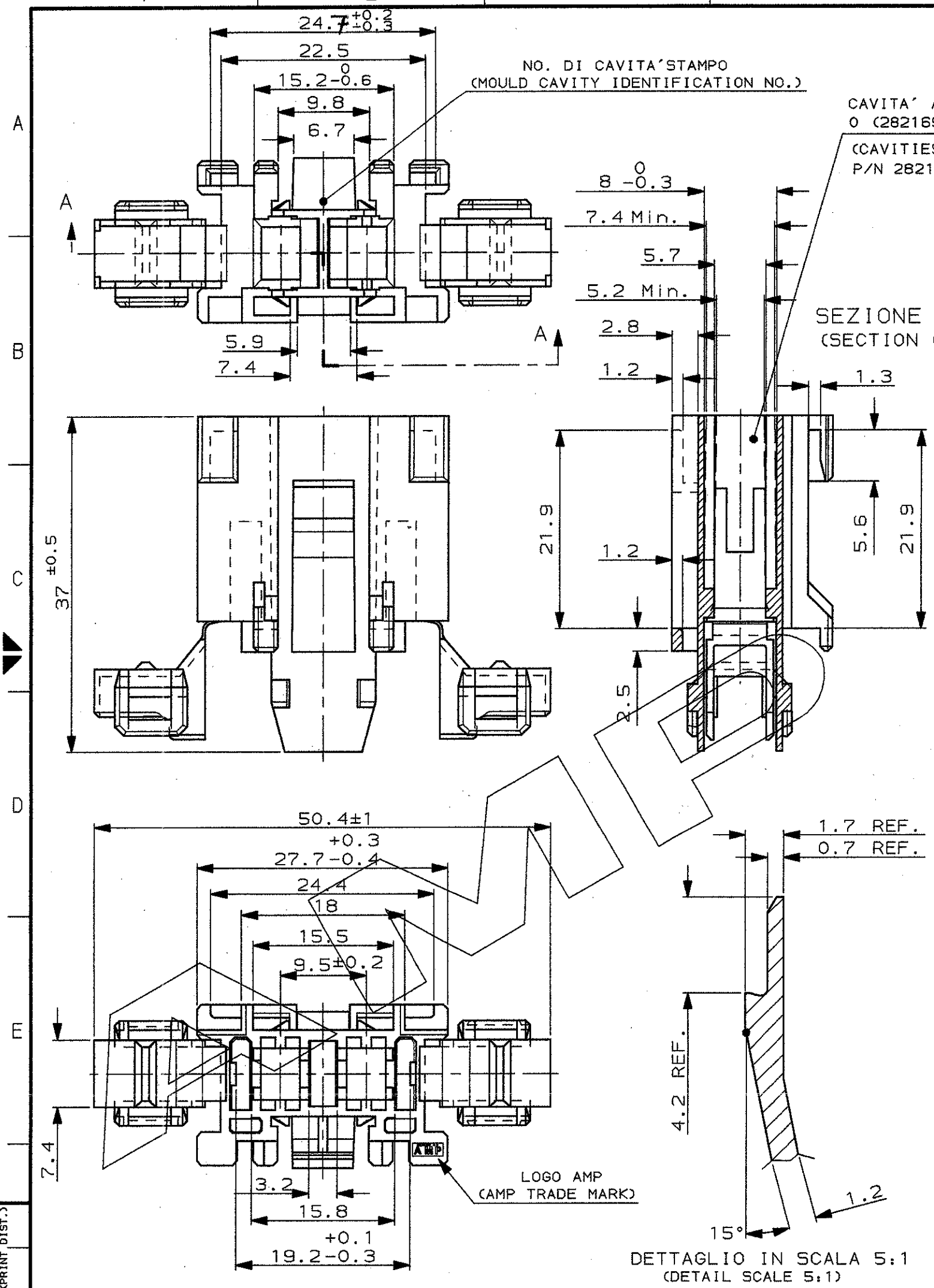
**METRIC**

PROIEZIONE EUROPEA  
(EUROPEAN PROJECTION)

NO. DI CAVITA' STAMPO  
(MOULD CAVITY IDENTIFICATION NO.)

CAVITA' ADATTA PER TERMINALI "FUSE CONTACT" AMP P/N 626611-1  
O (282169-1) E AMP P/N 629613-1.

(CAVITIES SUITABLE FOR FUSE CONTACTS AMP P/N 626611-1 OR  
P/N 282169-1 AND AMP P/N 629613-1)



OBSOLETED	VIOLA (PURPLE)	POLIAMMIDE 6.6 CARIC. VETRO (PA 6.6 GLASS FIBER FILLED)	<del>281990-7</del>
OBSOLETED	GIALLO (YELLOW)		281990-6
OBSOLETED	VERDE (GREEN)		281990-5
OBSOLETED	BLU (BLUE)		281990-4
OBSOLETED	ROSSO (RED)		281990-3
OBSOLETED	NERO (BLACK)		281990-2
OBSOLETED	NATUR (CLEAR)		281990-1
FINITURA / COLORE (FINISH / COLOUR)		MATERIALE (MATERIAL)	NUMERO (PART NUMBER)

F3 REVISED PER ECN-22-144343		AP/VN	18MAR 2022	CUSTOMER DWG. FOR REFERENCE ONLY		DISEGNO PER CLIENTE SOLO PER RIFERIMENTO	
F2 REVISED PER ECO-20-003218		AP/VN	08MAY 2020	THIS DRAWING IS UNPUBLISHED - RELEASE FOR PUBLICATION			
F1 AGGIORNATO CON ECN ET00-0157-98				M.P.	15-6-98	© COPYRIGHT 19 BY AMP INCORPORATED, HARRISBURG, PA. ALL INTERNATIONAL RIGHT RESERVED. AMP PRODUCTS MAY BE COVERED BY U.S. AND FOREIGN PATENT AND/OR PATENT PENDING	
F OBSOLETED P/N 281990-7 WITH ET00-0515-96		A.F.	05-11-1996	TOLLERANZE, SE NON DIVERSAMENTE SPECIFICATO		DIAM. ISOLANTE (INS. DIA. RANGE)	RANGO FILO (WIRE RANGE)
E UPDATED PURPLE COLOUR (ECN 1-3201)		C.I.	15DEC 1992	TOLLERANZE, UNLESS OTHERWISE SPECIFIED:		± 0.3	2:1
D UPDATED DRAWING		C.I.	30APR 1992	ANGOLI (ANGLES)		± 2°	<b>TE</b> TE Connectivity
C UPDATED AND REDRAWN		C.I.	14JAN 1991	DIS. 10 NOV. '89 (DR.)			
B UPDATED DETAIL		C.I.	27SEP 1990	DESCRIZIONE (DESCRIPTION) BLOCCHETTO PORTA FUSIBILI SINGOLA VIA PER FUSIBILI PIATTI (FUSE HOLDER 1 POS.)			
A IN PRODUCTION		C.I.	7 SEP 1990	LOC. SIZE NUMERO (DWG NO)			
2 UPDATED AND REDRAWN		C.I.	10NOV 1989	REV. FOGLIO (SHEET)			
1 PROPOS. NO WAS 89-51149		D'A.	29JUN 1989	I A3 C-281990 F3 1 OF 1			
REV. (REV. NO.)		REVISIONI (REVISION RECORD)		DIS. DATA (DR. DATE)		APP. (APP.)	

DETTAGLIO IN SCALA 5:1  
(DETAIL SCALE 5:1)

DISTRIBUZIONE  
(PRINT DIST.)