

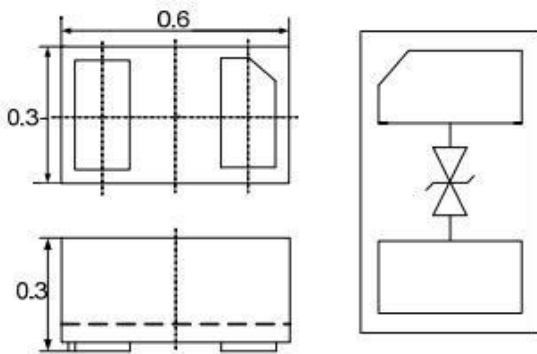
### Description

The SEN3301P0 is a 3.3V bi-directional TVS diode, utilizing leading monolithic silicon technology to provide fast response time and low ESD clamping voltage, making this device an ideal solution for protecting voltage sensitive data and power line. The small size and high ESD surge protection make SEN3301P0 an ideal choice to protect cell phone, digital cameras, audio players and many other portable applications.

### Features

- Low junction capacitance
- Working voltage: 3.3 V
- Low clamping voltage
- 2-pins leadless package
- RoHS Compliant

### Dimensions & Symbol (Unit: mm Max)



Dimensions Pin and Circuit Schematic

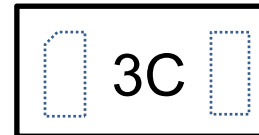
### Mechanical Characteristics

- Package: DFN0603-2L (0.6X0.3X0.3mm)
- Lead Finish: Matte Tin
- Case Material: "Green" Molding Compound.
- UL Flammability Classification Rating 94V-0
- Moisture Sensitivity: Level 3 per J-STD-020

### Applications

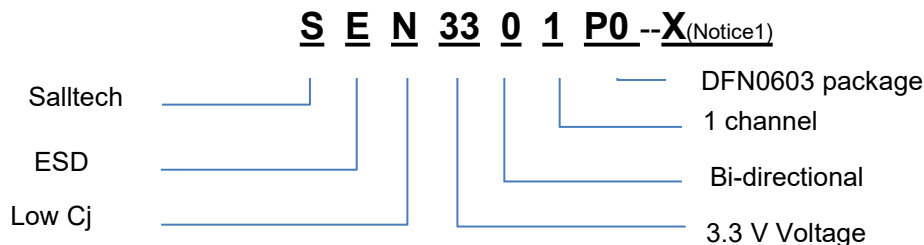
- Cellular Handsets and Accessories
- Personal Digital Assistants
- Notebooks and Handhelds
- Portable Instrumentation, Digital Cameras, Peripherals
- Audio Players, Keypads, Side Keys, LCD Displays

### Marking & Ordering information



Part Number	Packaging	Reel Size
SEN3301P0	15000/Tape & Reel	7 inch

### Part Number Information



Notice1: X is Customer special code, if there any questions, please contact with local sales

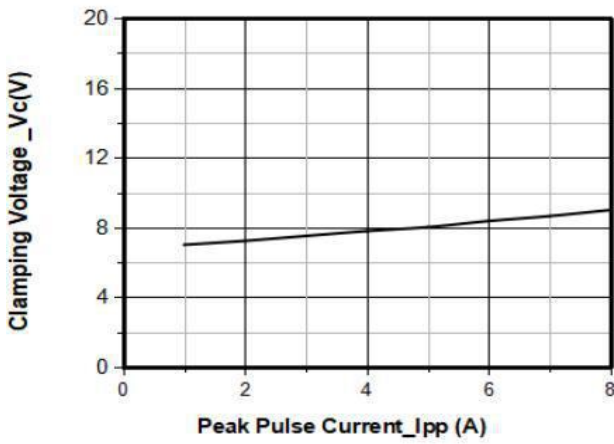
Absolute maximum ratings ( $T_A=25^{\circ}\text{C}$ , RH=45%-75%, unless otherwise noted)

Parameter	Symbol	Value	Unit
Peak Pulse Power ( $t_p=8/20\mu\text{s}$ waveform)	$P_{pp}$	80	W
Peak Pulse Current (8/20 $\mu\text{s}$ )	$I_{pp}$	8	A
ESD per IEC 61000-4-2 (Air)	VESD	$\pm 20$	kV
ESD per IEC 61000-4-2 (Contact)		$\pm 15$	
Operating Temperature Range	$T_J$	-55 to +125	$^{\circ}\text{C}$
Storage Temperature Range	$T_{stg}$	-55 to +150	$^{\circ}\text{C}$

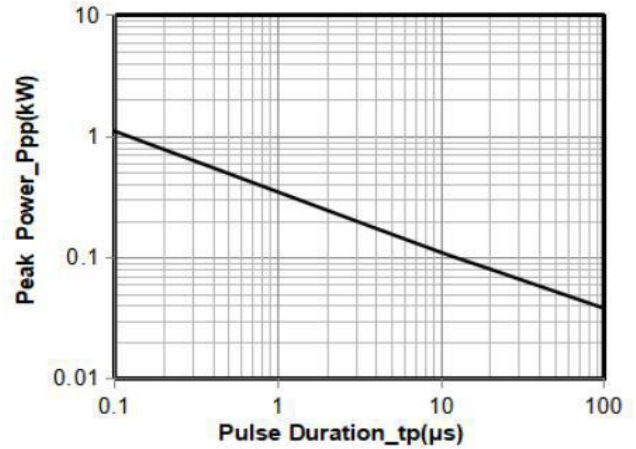
Electrical characteristics ( $T_A=25^{\circ}\text{C}$ )

Parameter	Symbol	Min	Typ	Max	Unit	Test Condition
Reverse Working Voltage	$V_{RWM}$			3.3	V	
Breakdown Voltage	$V_{BR}$	3.8			V	$I_T = 1\text{mA}$
Reverse Leakage Current	$I_R$		0.01	0.2	$\mu\text{A}$	$V_{RWM} = 3.3\text{V}$
Clamping Voltage	$V_C$			6	V	$I_{PP} = 1\text{A}$ (8 x 20 $\mu\text{s}$ pulse)
Clamping Voltage	$V_C$			8	V	$I_{PP} = 5\text{A}$ (8 x 20 $\mu\text{s}$ pulse)
Clamping Voltage	$V_C$			10	V	$I_{PP} = 8\text{A}$ (8 x 20 $\mu\text{s}$ pulse)
Junction Capacitance	$C_J$			25	pF	$V_R = 0\text{V}$ , $f = 1\text{MHz}$

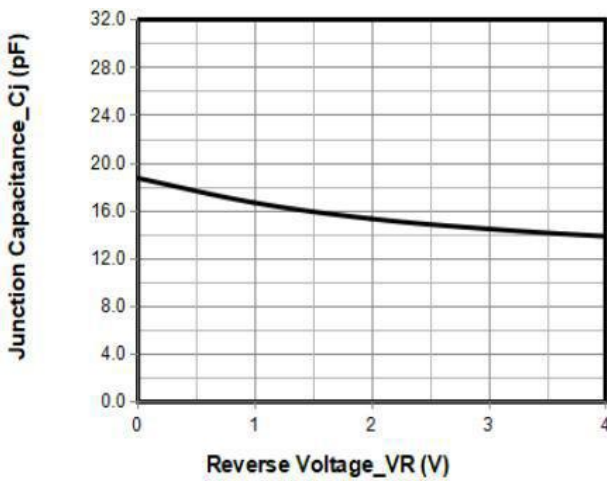
Typical Performance Characteristics ( $T_A=25^\circ\text{C}$  unless otherwise Specified)



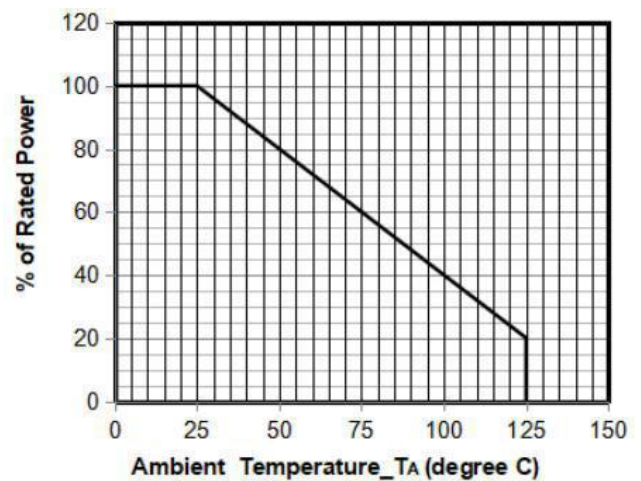
Junction Capacitance vs. Reverse Voltage



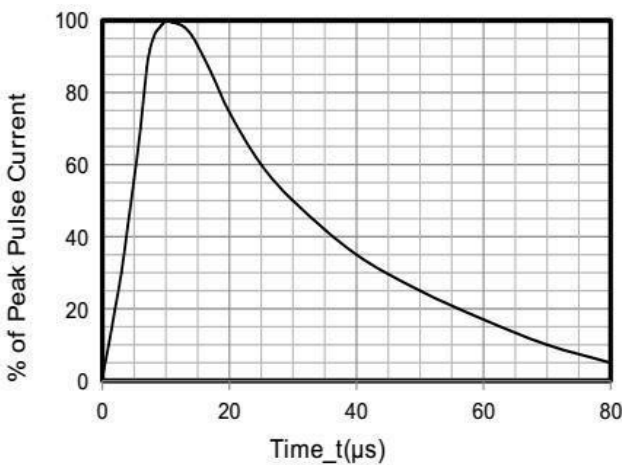
Peak Pulse Power vs. Pulse Time



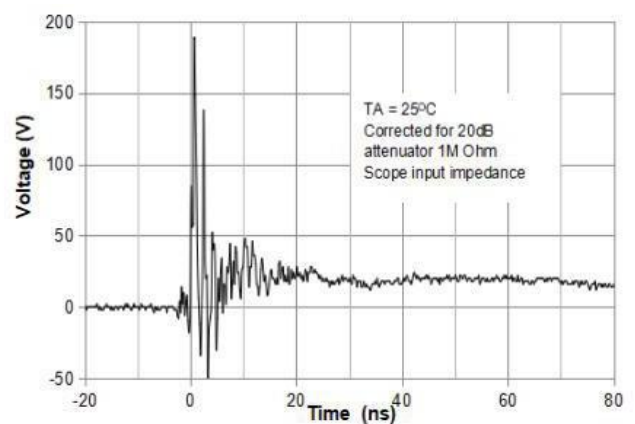
Clamping Voltage vs. Peak Pulse Current



Power Derating Curve



8 X 20μs Pulse Waveform

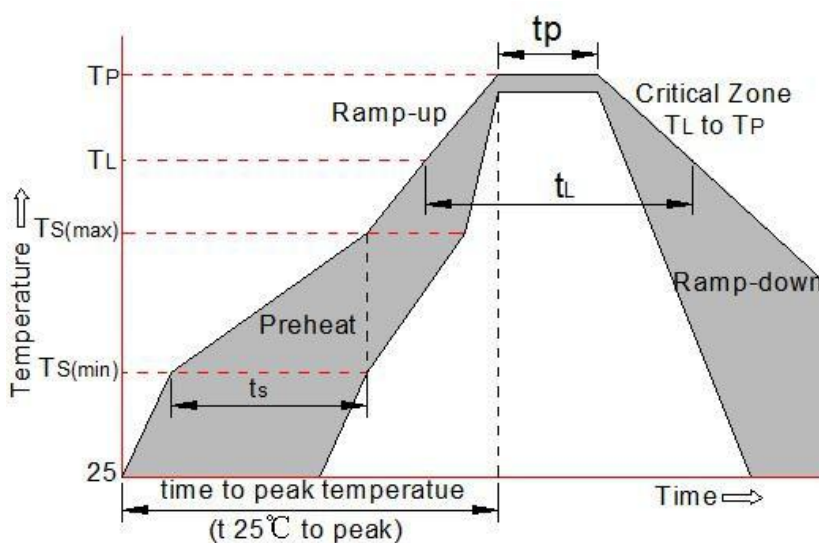


ESD Clamping Voltage

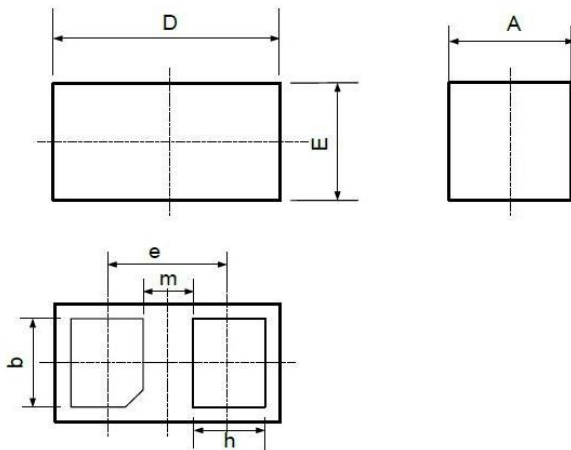
8 kV Contact per IEC61000-4-2

## Soldering Parameters

Reflow Condition		Pb-Free assembly (see as below)
Pre Heat	-Temperature Min ( $T_{s(min)}$ )	+150°C
	-Temperature Max( $T_{s(max)}$ )	+200°C
	-Time (Min to Max) (ts)	60-180 secs.
Average ramp up rate (Liquid us Temp ( $T_L$ ) to peak)		3°C/sec. Max
$T_{s(max)}$ to $T_L$ - Ramp-up Rate		3°C/sec. Max
Reflow	-Temperature( $T_L$ ) (Liquid us)	+217°C
	-Temperature( $t_L$ )	60-150 secs.
Peak Temp ( $T_p$ )		+260(+0/-5)°C
Time within 5°C of actual Peak Temp ( $t_p$ )		30 secs. Max
Ramp-down Rate		6°C/sec. Max
Time 25°C to Peak Temp ( $T_P$ )		8 min. Max
Do not exceed		+260°C

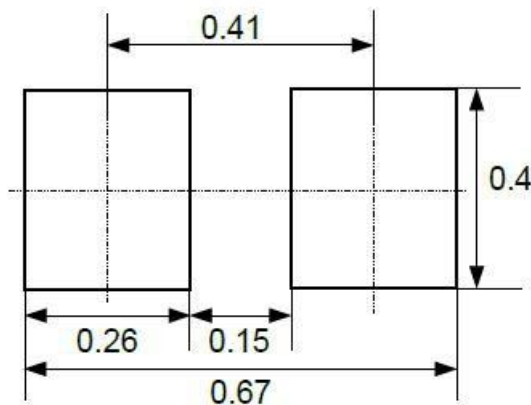


Package Mechanical Data

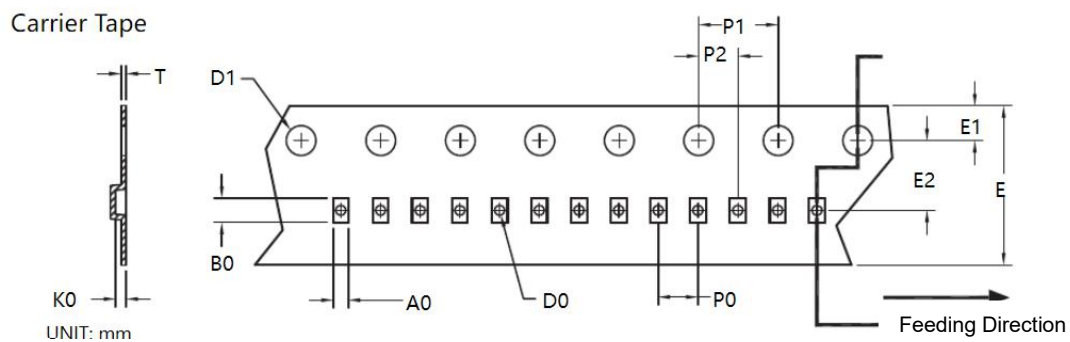


SYM	DIMENSIONS	
	MILLIMETERS	
	MIN	MAX
A	0.28	0.32
D	0.55	0.65
E	0.25	0.35
b	0.20	0.30
e	0.350	
m	0.165	
h	0.07	0.17

Suggested Land pattern of PCB design



Tape and Reel Information

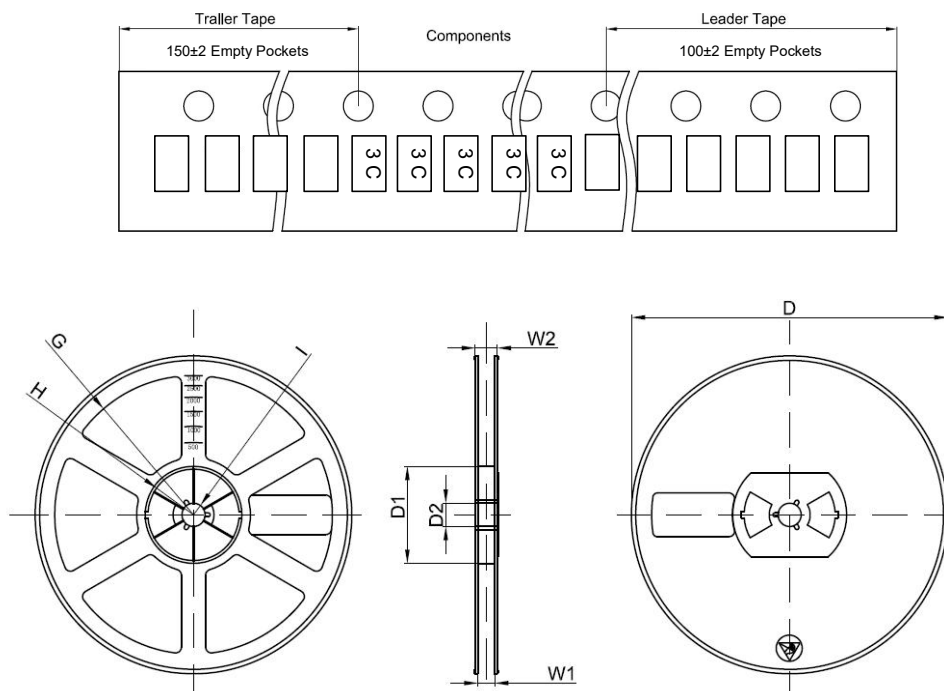


UNIT: mm

Dimensions are in millimeter

Package type	A0	B0	D0	P0	P1	P2	P	E	E1	E2	D1	K0	T	Q'ty
DFN0603-2L	0.35	0.65	0.2	2.0	4.0	2.0	4.0	8.0	1.75	3.50	2.0	0.60	0.25	15000

### DFN0603 Traller, Leader and Reel



Dimensions are in millimeter								
Reel Option	D	D1	D2	G	H	I	W1	W2
7"D1a	178	54.40	13.00	78	25.60	6.50	14.40	12.30

### Contact Information

JIANGXI Salltech Microelectronics Technology Co.,Ltd.  
 N0.699 Huangtang East Street,Ganjiang New District, Nanchang city,Jiangxi province  
 Tel: +86-791-83962891  
 Fax: +86-791-83962890

### Revision History

Release Date	Revision	Comments
2017-8-17	A	New Release
2021-11-13	B	Add Body Mark, Tape and Reel information