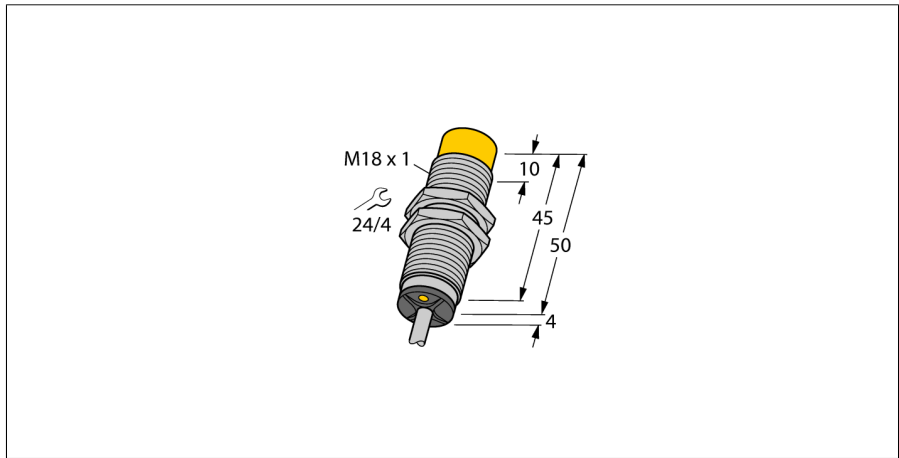


**Inductive sensor**  
**NI10-M18-AN5X/CS11591**



- Threaded barrel, M18 x 1
- Chrome-plated brass

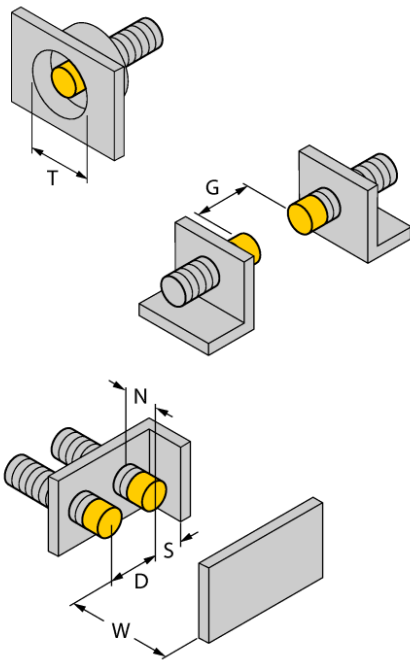
**Functional principle**

Inductive sensors detect metal objects contactless and wear-free. For this, they use a high-frequency electromagnetic AC field that interacts with the target. Inductive sensors generate this field via an RLC circuit with a ferrite coil.

<b>Type designation</b>	NI10-M18-AN5X/CS11591
Ident-No.	1510690
Ident-No (TUSA)	T1510690
<b>General data</b>	
<b>Rated switching distance Sn</b>	10 mm
Mounting conditions	Non-flush
Secured operating distance	$\leq (0,81 \times S_n)$ mm
Correction factors	St37 = 1; Al = 0.3; stainless steel = 0.7; Ms = 0.4
Temperature drift	$\leq \pm 10 \%$
Ambient temperature	-25...+70 °C
<b>Switching frequency</b>	0.5 kHz
<b>Design</b>	
Design	Threaded barrel, M18 x 1
Dimensions	54 mm
Housing material	Metal, CuZn, Chrome-plated
Active area material	Plastic, PA12-GF30
End cap	Plastic, EPTR
Max. tightening torque housing nut	25 Nm
Cable quality	5.2mm, LifYY, PVC, 2
Cable cross section	3 x 0.34 mm <sup>2</sup>
Protection class	IP67
MTTF	2283 years acc. to SN 29500 (Ed. 99) 40 °C
Packaging unit	1
<b>Switching state</b>	LED, Yellow

**Inductive sensor**  
**NI10-M18-AN5X/CS11591**

Distance D	3 x B
Distance W	3 x Sn
Distance T	3 x B
Distance S	1.5 x B
Distance G	6 x Sn
Distance N	2 x Sn
<b>Diameter active area B</b>	<b>Ø 18 mm</b>



**Inductive sensor**  
**NI10-M18-AN5X/CS11591**

**Accessories**

Type code	Ident-No.	Description	
BST-18B	6947214	Fixing clamp for threaded barrel devices, with dead-stop; material: PA6	
QM-18	6945102	Quick-mount bracket with dead-stop; material: Chrome-plated brass Male thread M24 x 1.5. Note: The switching distance of proximity switches can be reduced by the use of quick-mount brackets.	
MW-18	6945004	Mounting bracket for threaded barrel devices; material: Stainless steel A2 1.4301 (AISI 304)	
BSS-18	6901320	Mounting bracket for smooth and threaded barrel devices; material: Polypropylene	