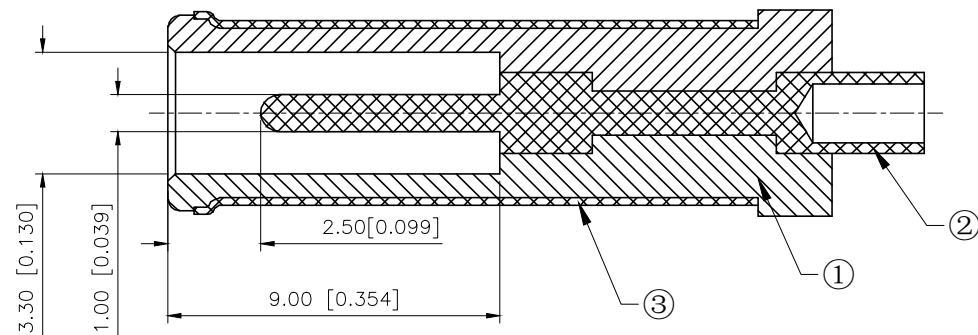
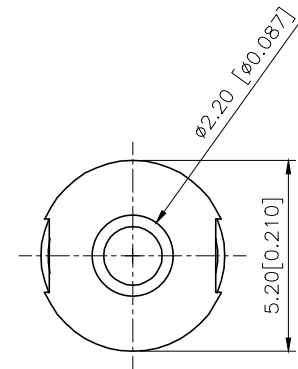
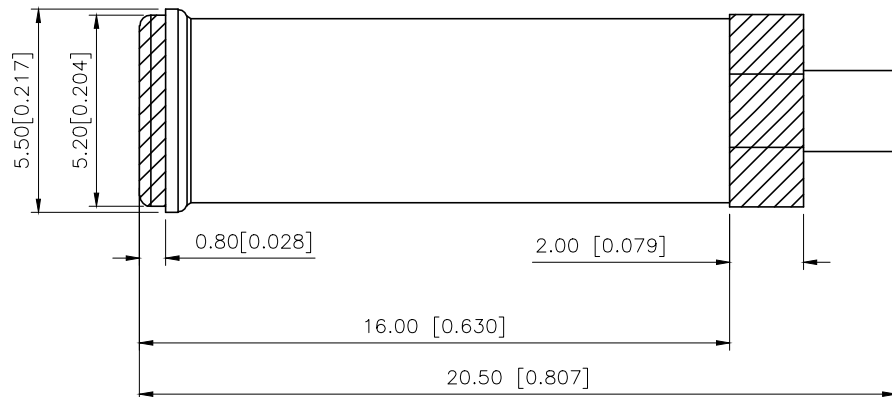
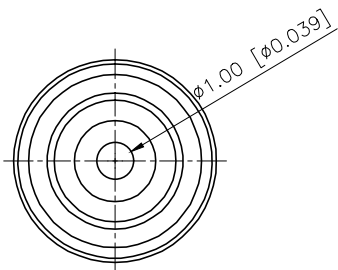


REVISIONS					
REV.	ECN NO.	LOCATION	DESCRIPTION	DATE	DESIGN
A0	N/A		INITIAL RELEASE	/	/
A1	N/A		图面升级整理图面	2025.07.01	阿树



Technology Request:

1. Outlook:  
No burr, no hurt.
2. Electronic performance:  
a: Insulation resistance:  
Above DC500V/100M $\Omega$ ;  
b: Endure voltage:  
AC500V at 1 minute;  
c: Contact resistance:  
Under 30m $\Omega$ ;
3. Insertion force & withdrawal force:  
0.3-3kgf.
4. Salt spray test: 24H.
5. Meet RoHS.
6. Remark \* is important specification.

No.	DESCRIPTION	QTY	MATERIAL	PLATING
1	PLASTIC	1	PBT	Ni
2	Needle	1	BRASS	Ni
3	Flared tube	1	BRASS	BLACK

AuGLAR	$\pm 5^\circ$
X.	$\pm 0.40$
X.x	$\pm 0.30$
X.xx	$\pm 0.20$
X.xxx	$\pm 0.15$
UNSPECIFIED TOLERANCES	



DESIGN	阿树	VIEW:		MODEL TYPE:	DC PIUG
CHECKED		UNIT:	mm/in	PART NO.:	DT-55515510
APPROVED		SIZE:	A4	DWG NO.:	