

承 认 书

SPECIFICATION FOR APPROVAL

客户 (CUSTOMER): _____

产品名称 (PRODUCT NAME): 贴片式蜂鸣器 (内部驱动)

型号 (TYPE): YS-SBZ9650DYB05

客户料号 (CUSTOMER NO) _____

日期 (DATE): 2019-07-20

客户确认: (签章)
日期:

东 莞 市 锋 鸣 电 子 有 限 公 司

电话: 0769-88036425

传真: 0769-85474556

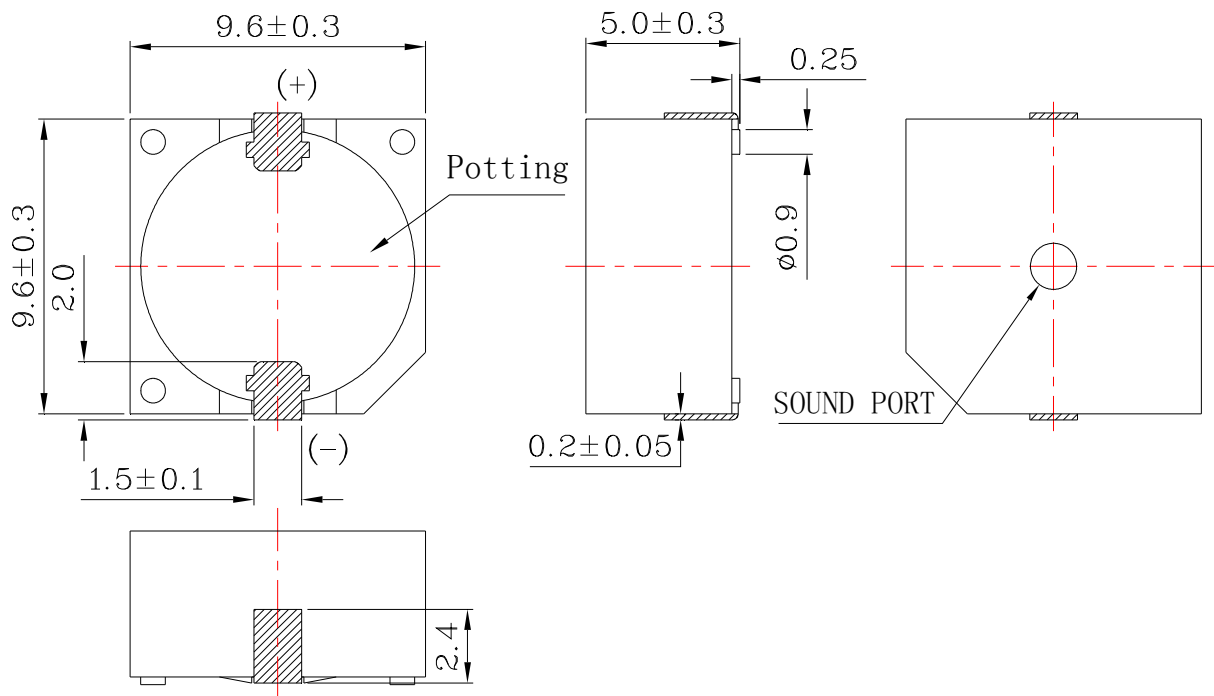
制单: 李琳

业务: 宋浩亮

工程: 黄鑫

FENGMING TECH OF DONG GUAN CO.,LTD

YS-SBZ9650DYB05



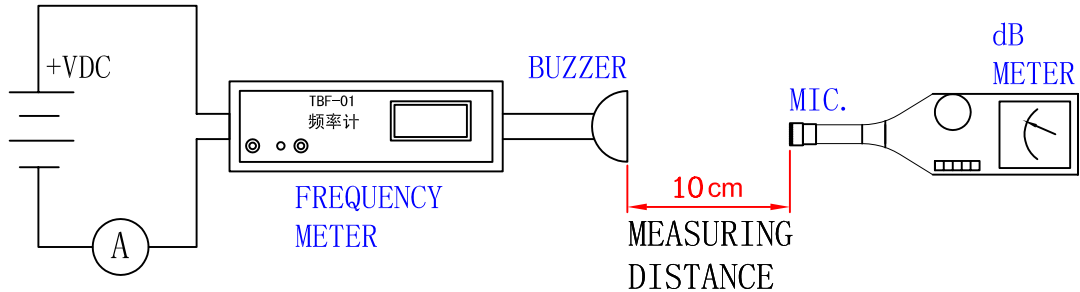
SPECIFICATION:

Model NO	YS-SBZ9650DYB05
Rated Voltage	5.0VDC
Operating Voltage	3.0~7.0VDC
Rated Current	Max. 30mA
sound Pressure level(dB/2700Hz/at 10cm)	Min.80dB
Resonant Frequency	2700+/-300HZ
Operating Temperature	-20 °C~+70 °C
Storage Temperature	-30 °C~+80 °C

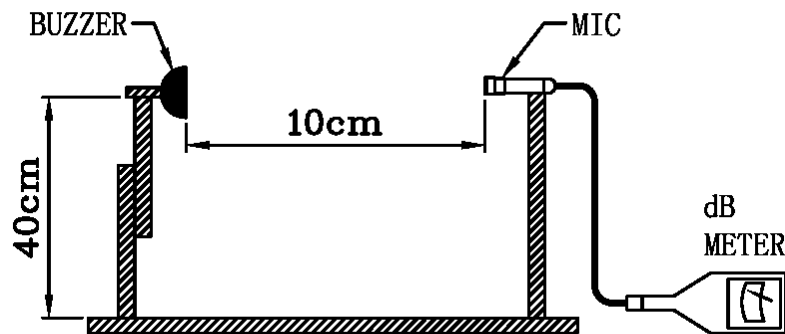
提示：建议蜂鸣器驱动电流在：25MA 以上

Acoustic Characteristics:

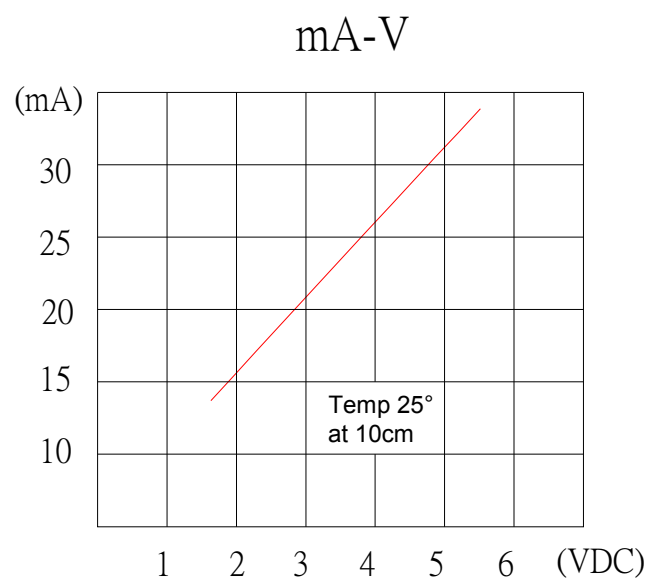
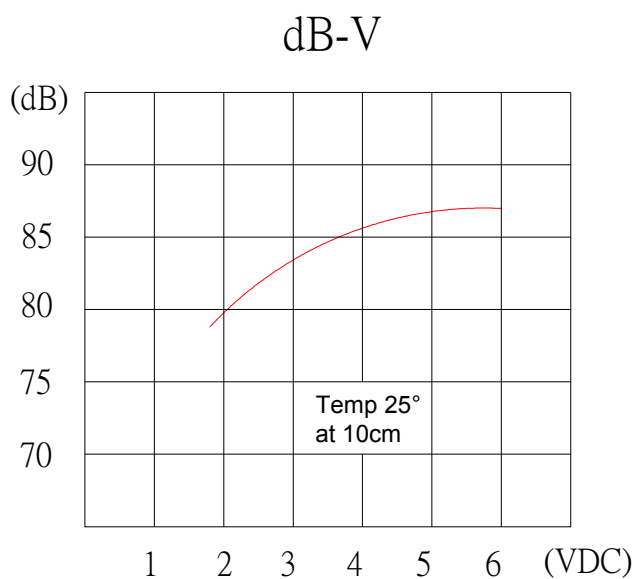
The oscillation frequency, current consumption and sound pressure are measured by the measuring instruments shown below



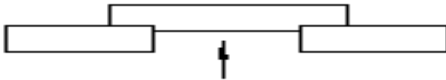
In the measuring test, buzzer is placed as follows:



VOLTAGE / CURRENT / SOUND PRESSURE CHARACTERISTICS



RELIABLY TEST:

NO.	ITEM	TESTING CONDITION	VARIANCE AFTER TEST
1	<i>High temp. storage life</i>	The part shall be capable of withstanding a storage temperature is +80°C for 120 hours	<p><i>After the test the part shall meet specifications without any degradation in appearance and performance except SPL shall be initial value ± 10dB or more.</i></p>
2	<i>Low temp. storage life</i>	The part shall be capable of withstanding a storage temperature is -30°C for 120 hours	
3	Temp. Cycle	Total 5 cycles, 1 cycle consisting of -30±2°C, 30 minutes 20±5°C 15 minutes 80±2°C, 30 minutes 20±5°C 15 minutes	
4	Humidity Test	30±2°C, 90~95% RH, 120 hours	
5	Vibration Test	The part shall be subjected to a vibration cycle is 10Hz in a period of 1 minute. Total peak amplitude shall be .52mm(9.3g). The vibration test shall consist of 2 hours per plane in each three mutually perpendicular planes for a total time of 6 hours.	
6	Shock	Sounder shall be measured after being applied shock (980m/s ²) for each three mutually perpendicular directions to each of 3 times by half sine wave.	
7	Drop Test	Dropped naturally from 700mm height onto the surface of 10mm thick wooden board. 2 directions-upper and side of the part are to be applied.	
8	Lead pull	The part shall be pushed with a force of 9.8N for 10 ± 1 seconds behind the part. 	After the test part shall meet specifications without any degradation in appearance and performance.
9	Recommended temp. Profile for Reflow Oven	Shown in Fig.1	
<p>Warranty:For a period of one year from date of manufacture under normal operations.</p>			

Soldering Condition

(1) Recommendable reflow soldering condition is as follows
(Reflow soldering is twice)

Note: It is requested that reflow soldering should be executed after heat of product goes down to normal.

