

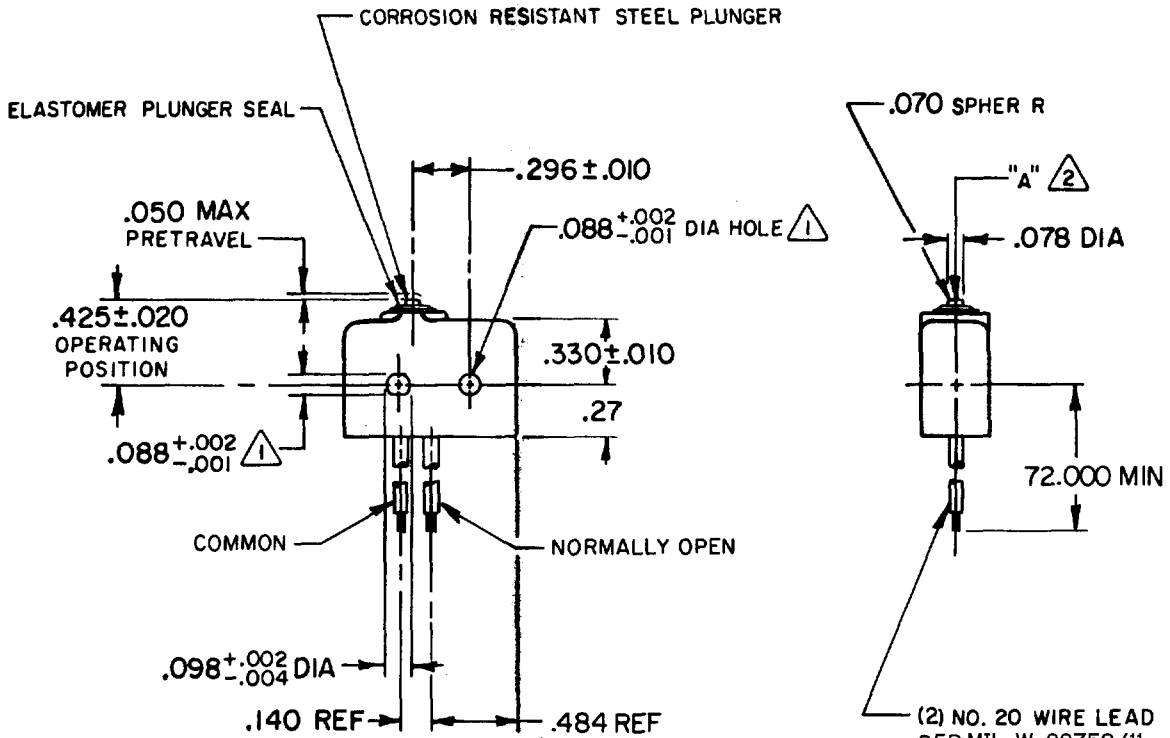
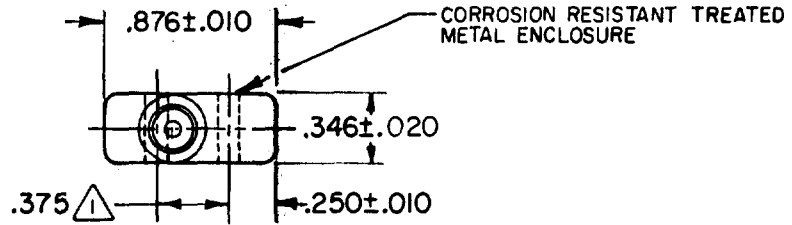
MICRO SWITCH

FREEPORT ILLINOIS, U.S.A
A DIVISION OF HONEYWELL
FED. MFG. CODE 91929

SWITCH - BASIC

CATALOG LISTING

ISE3-6

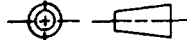


NOTES

- ① MOUNTING HOLES WILL ACCEPT .087 MAX DIA PINS OR SCREWS ON .375±.002 CENTERS
- ② ACTUATION IN LINE WITH ARROW "A" IS RECOMMENDED
- ③ WEIGHT OF SWITCH ONLY IS .26 OZ MAX.
WEIGHT OF SWITCH WITH WIRE LEADS IS 1.72 OZ MAX

THIS DRAWING COVERS A PROPRIETARY ITEM AND IS THE PROPERTY OF MICRO SWITCH, A DIVISION OF HONEYWELL. THIS DRAWING IS NOT TO BE COPIED OR USED WITHOUT THE APPROVAL OF MICRO SWITCH.

THIRD ANGLE PROJECTION



CHARACTERISTICS

OPERATING FORCE ----- 5-17 OZ
RELEASE FORCE ----- 4 OZ MIN
RELEASE TRAVEL ----- .004 MIN
DIFFERENTIAL TRAVEL ----- .004 MAX
OVERTRAVEL ----- .003 MIN

ELECTRICAL DATA

CONTACT ARRANGEMENT
S P N O
250 VAC ----- 5 AMP
30 VOLTS DC RATING
INDUCTIVE ----- SEA LEVEL --- 3 AMP
50,000 FT --- 2.5 AMP
RESISTIVE ----- SEA LEVEL --- 6 AMP
50,000 FT --- 5 AMP
MAXIMUM INRUSH ----- 24 AMP

SCALE FULL

DO NOT SCALE PRINT

TOLERANCES
APPLY TO DESIGN UNITS. CONVERSIONS ARE ONLY FOR REFERENCE. UNLESS NOTED, TOLERANCES ARE ±

	DIM. mm	TOL. mm/in	DIM. in	TOL. mm/in
NO PLACES	X	17.04	X	0.07/03
ONE PLACE	X,X	0.47/016	X,X	0.38/016
TWO PLACES	X,X,X	0.16/008	X,X,X	0.13/008
THREE PLACES	X,X,X,X		X,X,X,X	
ANGLES				

DESIGN UNITS SI METRIC US CUSTOMARY

WEIGHT ③

ISE3-6

PAGE 1 OF 1

M

DRAWING NUMBER

ISSUE

11

REPLACES

RELEASE NO.

CHECK

REVISIONS

A	CO-51463	KAG	23 JUL 82
B	CO57041A	CJH	21 MAR 85
C	CO94274	DLM	MAR 99

CHECK

5 AUG 82

5 AUG 82

5 AUG 82

5 AUG 82

5 AUG 82

5 AUG 82

5 AUG 82

5 AUG 82

5 AUG 82

5 AUG 82

5 AUG 82

5 AUG 82

5 AUG 82

FORMTEK

FO-52848-A

DRAWN

KAG

23 JUL 82

CHECK