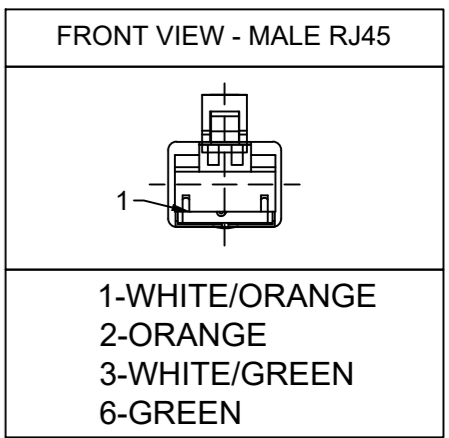
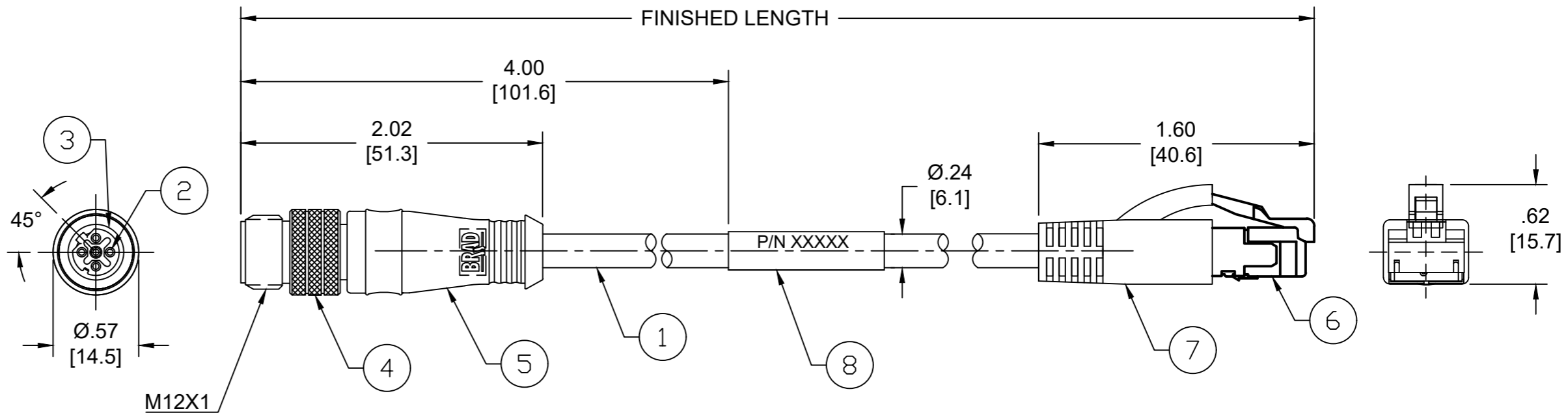


PART NO	ENGINEERING NO.	FINISHED LENGTH
1300480309	E16A06004M010	1M [3FT 3 IN]
1300480406	E16A06004M400	40M [131FT 3 IN]
1300480377	E16A06004M850	85M [278FT 10 IN]



- NOTES:
- MATERIAL: SEE TABLE
 - FINISH: SEE TABLE
 - ELECTRICAL:
VOLTAGE: 30V AC/DC
CURRENT: 1.5A
 - TEMP RATING: -20°TO +75°C
 - PROTECTION:
RJ45: IP20 (A2)
M12 CONNECTOR: IP67(WHEN MATED)
 - UL RECOGNIZED FILE: E200650
 - ALL DIMENSIONS ARE FOR REFERENCE UNLESS TOLERANCED OR NOTED OTHERWISE



MECHANICAL CHARACTERISTICS:

FLEX LIFE:	(126 CYCLES/MIN @ 20° C) 1 MILLION CYCLE TEST (10X CABLE O.D., MINIMUM RADIUS) 10 MILLION CYCLE TEST (20X CABLE O.D., MINIMUM RADIUS)
TORSIONAL FLEX:	(1 LB LOAD, 360°, 71 CYCLES/MIN @ 20° C) 3 MILLION CYCLE TEST

PART NUMBER LEGEND

E16A06004M005

FINISHED LENGTH
M005 = 0.5 METER
M010 = 1 METER
M100 = 10 METER

CABLE LENGTH TOLERANCES

<.3M [1FT]: +19mm-0 [+.75in-0]
.3 - .9M [1 - 3FT]: +44.5mm-0 [+1.75in-0]
.9 - 1.8M [3 - 6FT]: +55.6mm-0 [+2.19in-0]
1.8 - 3.7M [6 - 12FT]: +88.9mm-0 [+3.50in-0]
3.7 - 7.3M [12 - 24FT]: +165.1mm-0 [+6.50in-0]
7.3-14.6M [24 - 48FT]: +317.5mm-0 [+12.50in-0]
14.6 - 30.5M [48-100FT]: +622.3mm-0 [+24.50in-0]
OVER 30M [100FT] +2% OF FINISHED LENGTH

ITEM	DESCRIPTION	MATERIAL	FINISH
8	WRAP LABEL	VINYL	BLACK/WHITE
7	RJ45 BOOT, HOODED	PVC	BLACK
6	RJ45 PLUG	POLYCARBONATE	TRANSPARENT
5	OVERMOLD	PUR	BLACK
4	COUPLING NUT	BRASS	NICKEL PLATED
3	INSERT	PUR	BLACK
2	CONTACT PIN	COPPER ALLOY	GOLD OVER NICKEL
1	CABLE, ETHERNET, 24-4	TPE	TEAL

FUNCTIONAL SYMBOLS F/A=0 F/C=0 F/P=0	THIS DRAWING CONTAINS INFORMATION THAT IS PROPRIETARY TO MOLEX ELECTRONIC TECHNOLOGIES, LLC AND SHOULD NOT BE USED WITHOUT WRITTEN PERMISSION		CURRENT REV DESC: MODIFIED PROTECTION DETAILS		<p>MIC D-CODE / ETHERNET 4P M12 MALE/RJ45 MALE, STRAIGHT #24-4 TPE HI-FLEX</p> <p>PRODUCT CUSTOMER DRAWING</p> <p>DOCUMENT NUMBER: SD-130048-009 DOC TYPE: PSD DOC PART: 001 REVISION: A2</p>						
	DIMENSION UNITS	SCALE	EC NO: 789859								
	INCH/MM	NTS	DRWN: ABENJAMINLW 2024/06/12	CHK'D: PDODDAMANEMY 2024/06/19							
	GENERAL TOLERANCES (UNLESS SPECIFIED)		APPR: BWOODMAN 2024/06/21	INITIAL REVISION:							
DIVISIONAL SYMBOLS	4 PLACES ±----	3 PLACES ±----	2 PLACES ±----	1 PLACE ±----	0 PLACES ±----	DRWN: BARDEN 2014/02/19	APPR: JFMURPHY 2014/03/13	SERIES: 130048	MATERIAL NUMBER: SEE CHART	CUSTOMER: GENERAL MARKET	SHEET NUMBER: 1 OF 1
DRAFT WHERE APPLICABLE MUST REMAIN WITHIN DIMENSIONS		THIRD ANGLE PROJECTION		DRAWING: B-SIZE							