

MICRO SWITCH

A DIVISION OF MINNEAPOLIS-HONEYWELL REGULATOR COMPANY
 FREEPORT, ILLINOIS

FED. MFR. CODE 91929

ACTUATOR - SWITCH

CATALOG LISTING

JV - 7

(M) JV - 7
 ISSUE 3

JV - 7

M

DRAWING
 NUMBER

48

ISSUE

6

REPLACES

RELEASE NO.

CHECK

REVISIONS

A CO13739
 K L B
 9 JUNE 59
 B CO17473
 D W V
 7 MAR 63
 C CO34626
 R E R
 6 FEB 75

CHECK

RAK 9 JUNE '59

CHECK

RAK 9 JUNE '59

CHECK

RAK 9 JUNE '59

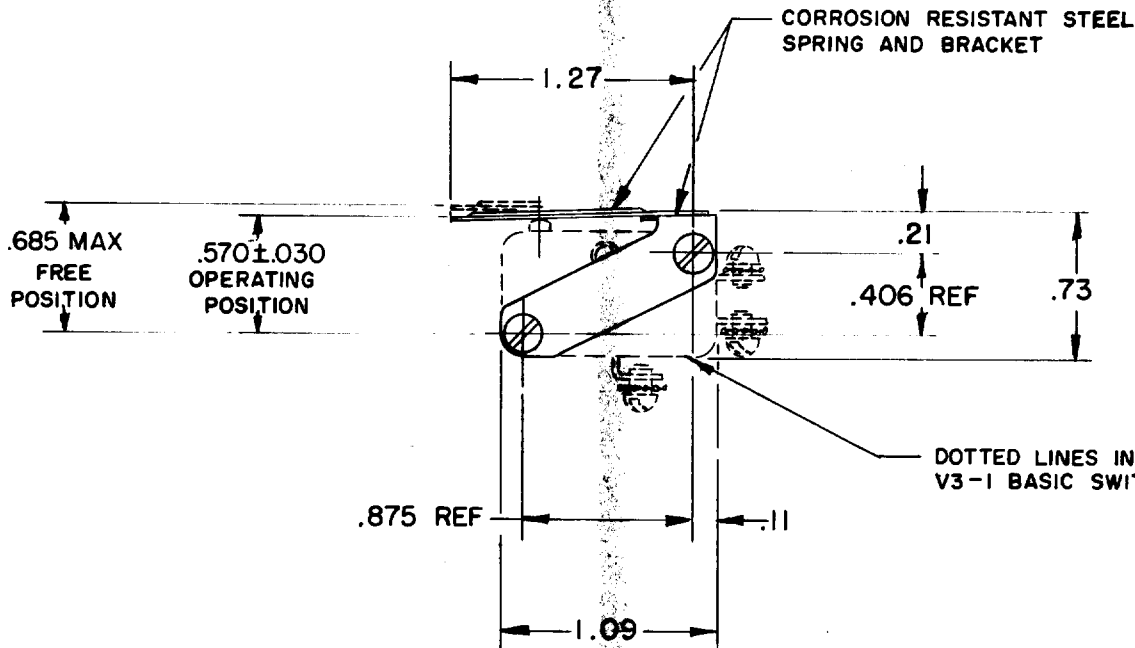
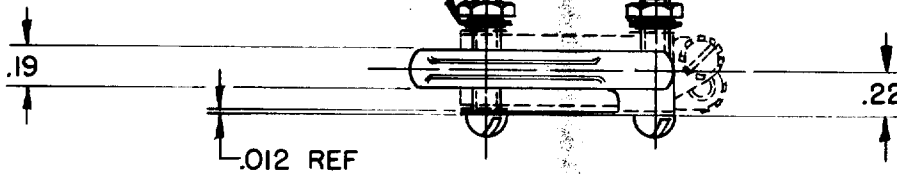
CHECK

FO-50378

4 - 40 NC X .625 REF ROUND HEAD MACHINE
 SCREW (PART NO. JV-10008) (2) \triangle

4 - 40 NC HEX NUT
 (PART NO. JV-10007) (2) \triangle

LOCKWASHER
 (PART NO. JV-10254) (2) \triangle



NOTE -
 \triangle - FURNISHED UNASSEMBLED

THIS DRAWING COVERS A PROPRIETARY ITEM AND IS THE PROPERTY OF MICRO SWITCH, A DIVISION OF MINNEAPOLIS-HONEYWELL REGULATOR CO. THIS DRAWING IS NOT TO BE COPIED OR USED WITHOUT THE APPROVAL OF MICRO SWITCH.

CHARACTERISTICS WITH V3-1 BASIC SWITCH INSTALLED

OPERATING FORCE	-----15 OZ MAX
RELEASE FORCE	-----6 OZ MIN
PRETRAVEL	-----.062 MAX
DIFFERENTIAL TRAVEL	-----.025 MAX
OVERTRAVEL	-----.050 MIN

ELECTRICAL DATA

CONTACT ARRANGEMENT

SCALE FULL

DO NOT SCALE PRINT

UNLESS OTHERWISE SPECIFIED
 DIMENSIONS ARE IN INCHES

TOLERANCES ARE:

ONE PLACE	(.0)	±.030
TWO PLACE	(.00)	±.015
THREE PLACE	(.000)	±.005
ANGLES		±

WEIGHT