

Quadruple Operational Amplifiers

DESCRIPTION

The LM324 consists of four independent, high gain, internally frequency compensated operational amplifiers which were designed specifically to operate from a single power supply over a wide range of voltages. Operation from split power supplies is also possible and the low power supply current drain is independent of the magnitude of the power supply voltage.

Application areas include transducer amplifiers, DC gain blocks and all the conventional op amp circuits.

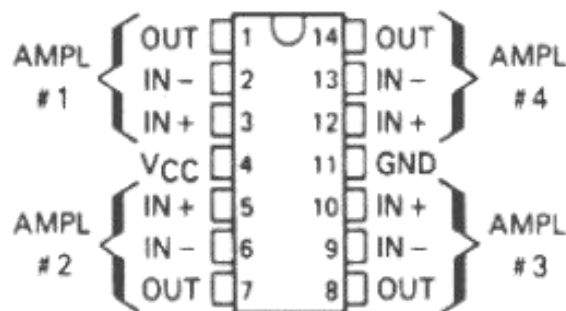
FEATURES

- Wide range of supply voltages
- Low supply current drain independent of supply voltage
- Low input biasing current
- Low input offset voltage and offset current
- Input common-mode voltage range includes ground
- Differential input voltage range equal to the power supply voltage
- DC voltage gain 100 V/ mV Typ
- Internally frequency compensation

ORDERING INFORMATION

DEVICE	Package Type	MARKING	Packing	Packing Qty
LM324N	DIP14	LM324	TUBE	1000pcs/Box
LM324M/TR	SOP14	LM324	REEL	2500pcs/Reel
LM324MT/TR	TSSOP14	LM324	REEL	2500pcs/Reel

PACKAGE INFORMATION



DIP14/SOP14/TSSOP14

ELECTRICAL CHARACTERISTICS

at specified free-air temperature, VCC = 5V (unless otherwise noted)

PARAMETER	TEST CONDITIONS*		LM324			UNIT
			MIN	TYP	MAX	
VIO Input offset voltage	Vcc = 5V to MAX, VIC=VICRmin, VO=1.4V	25°C		3	7	mV
		Full temperature range			9	
α VIO Average temperature coefficient of input offset voltage		Full temperature range		7		$\mu\text{V}/^\circ\text{C}$
IIO Input offset current	Vo=1.4V	25°C		2	50	nA
		Full temperature range			150	
α IIO Average temperature coefficient of input offset current		Full temperature range		10		$\text{pA}/^\circ\text{C}$
IIB Input bias current	Vo=1.4V	25°C		-20	-250	nA
		Full temperature range			-500	
VICR Common-mode input voltage range	Vcc = 5V to MAX	25°C	0 to Vcc-1.5			V
		Full temperature range	0 to Vcc - 2			
VOH High-level output voltage	RL = 2 k	25°C	Vcc-1.5			V
	Vcc = MAX, RL = 2k	Full temperature range	26			
	Vcc = MAX, RL = 10 k	Full temperature range	27	28		
VOL Low-level output voltage	RL = 10 k	Full temperature range		5	20	mV
AVD Large-signal differential voltage amplification	Vcc = 15 V, Vo=1V to 11 V, RL \geq 2 k	25°C	25	100		V/mV
		Full temperature range	15			
CMRR Common-mode rejection ratio	Vcc = 5V to MAX, VIC = VICR min	25°C	65	80		dB
kSVR Supply voltage rejection ratio ($\Delta\text{Vcc}/\Delta\text{VIO}$)	Vcc = 5V to MAX	25°C	65	100		dB
Vo1/Vo2 Crosstalk attenuation	f=1kHz to 20 kHz	25°C		120		dB
IO Output current	Vcc = 15 V, VID=1V, Vo= 0	25°C	-20	-30		mA
		Full temperature range	-10			
	Vcc = 15 V, VID= -1V, Vo=15V	25°C	10	20		
		Full temperature range	5			

	VID= -1V, Vo = 200 mV	25°C	12	30		μA
I _{os} Short-circuit output current	V _{cc} at 5 V, GND at -5V,Vo=0	25°C		±40	±60	mA
I _{cc} Supply current (four amplifiers)	Vo = 2.5 V, No load	Full temperature range		1.5	2.4	mA
	V _{cc} = MAX, Vo = 0.5V _{cc} , No load	Full temperature range		1.1	3	

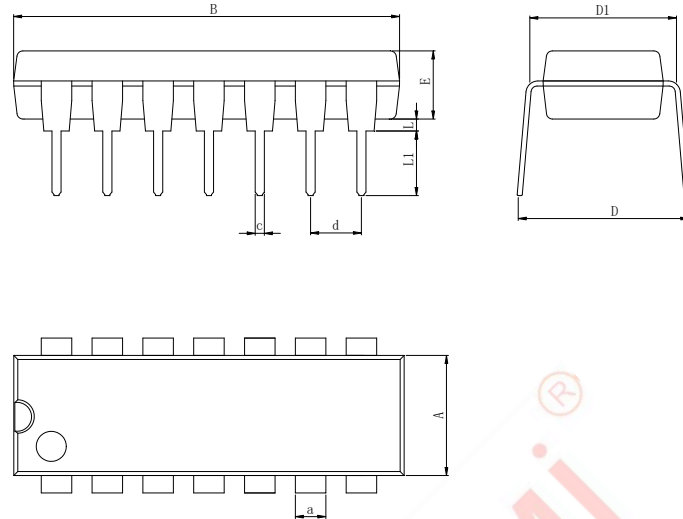
* All characteristics are measured under open loop conditions with zero common-mode input voltage unless otherwise specified.

"MAX" V_{cc} for testing purposes is 30 V. Operating temperature -40 ÷ 85° C, MAX Junction temperature + 125°C.



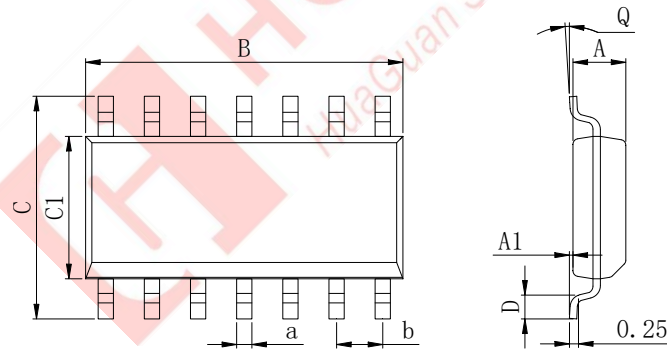
Physical Dimensions

DIP14



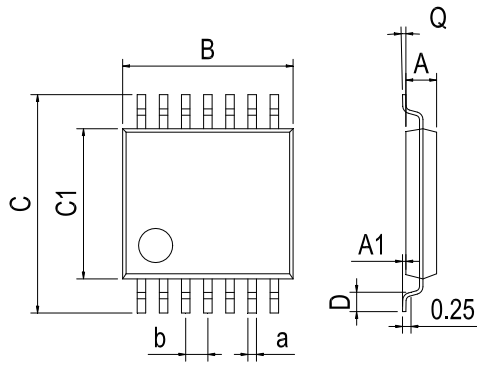
Dimensions In Millimeters(DIP14)										
Symbol:	A	B	D	D1	E	L	L1	a	c	d
Min:	6.10	18.94	8.40	7.42	3.10	0.50	3.00	1.50	0.40	2.54 BSC
Max:	6.68	19.56	9.00	7.82	3.55	0.70	3.60	1.55	0.50	

SOP14



Dimensions In Millimeters(SOP14)									
Symbol:	A	A1	B	C	C1	D	Q	a	b
Min:	1.35	0.05	8.55	5.80	3.80	0.40	0°	0.35	1.27 BSC
Max:	1.55	0.20	8.75	6.20	4.00	0.80	8°	0.45	

TSSOP14



Dimensions In Millimeters(TSSOP14)									
Symbol:	A	A1	B	C	C1	D	Q	a	b
Min:	0.85	0.05	4.90	6.20	4.30	0.40	0°	0.20	0.65 BSC
Max:	0.95	0.20	5.10	6.60	4.50	0.80	8°	0.25	



IMPORTANT STATEMENT:

Huaguan Semiconductor Co,Ltd. reserves the right to change the products and services provided without notice. Customers should obtain the latest relevant information before ordering, and verify the timeliness and accuracy of this information.

Customers are responsible for complying with safety standards and taking safety measures when using our products for system design and machine manufacturing to avoid potential risks that may result in personal injury or property damage.

Our products are not licensed for applications in life support, military, aerospace, etc., so we do not bear the onsequences of the application of these products in these fields.

Huaguan Semiconductor Co,Ltd. the performance of the semiconductor products produced by the company can reach the performance indicators that can be applied at the time of sales. The use of testing and other quality control technologies is limited to the quality assurance scope of Huaguan semiconductor. Not all parameters of each device need to be tested. The above documents are for reference only, and all are subject to the physical parameters.

Our documentation is only permitted to be copied without any tampering with the content, so we do not accept any responsibility or liability for the altered documents.