

NCT7491

Remote Thermal Monitor and Fan Controller with PECE 3.0 Interface and SMBus Compatible Master

The NCT7491 is a two-wire serially programmable hardware monitor. It can monitor 2 remote temperature zones and its own ambient temperature. A PECE 3.0 single wire interface allows the NCT7491 to monitor CPU temperatures. The NCT7491 also implements an SMBus compatible master, allowing it to read automatically from thermal sensors on the SMBus. The NCT7491 can automatically control the speed of 3 fans using PWM control, and monitor the speed of 4 fans. There are 4 analog inputs, used for measuring 12 V, 5 V, 2.5 V and V_{ccp} channels. The NCT7491 supply voltage and PECE V_{TT} voltage are also monitored. Each of the measured temperature, voltage and fan speed values are compared with programmable limits and if any channel is outside the programmed limit an interrupt is generated via the ALERT output pin. A THERM output is also available for fail-safe thermal control. Up to 3 GPIO pins are available for digital control or signalling.

Communication with the NCT7491 is accomplished via the SMBus/I²C interface which is compatible with industry standard protocols. The SMBus address is set by 2 address selection pins.

The NCT7491 is available in a 24-lead QFN or QSOP package and operates over a supply range of 3.0 V to 3.6 V.

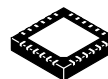
Features

- PECE 3.0 Master for CPU Monitoring
- SMBus Compatible Master
- On-chip Temperature Sensor
- 2 Remote Sensor Channels
- Series Resistance Cancellation on Remote Sensors
- 3 PWM Fan Control Outputs
- 4 Tach Monitoring Input
- PWM Automatic Fan Speed Control
- 4 Analog Inputs for Voltage Monitoring
- V_{dd} Supply Voltage Monitoring
- PECE V_{TT} Voltage Monitoring
- Overtemperature Outputs
- Limit Comparison of Monitored Channels
- SMBus Address Selection Allows up to 3 Devices
- Meets SMBus 2.0 Electrical Specifications (fully SMBus 1.1 compliant)
- These Devices are Pb-Free, Halogen Free/BFR Free and are RoHS Compliant

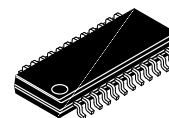


ON Semiconductor®

www.onsemi.com

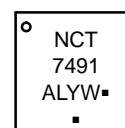


QFN24
MN SUFFIX
CASE 485L



QSOP24
RQ SUFFIX
CASE 492B

MARKING DIAGRAMS



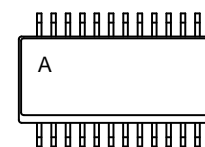
(Top View)

- A = Assembly Location
- L = Wafer Lot
- Y = Year
- W = Work Week
- = Pb-Free Package

(Note: Microdot may be in either location)



(Top View)



(Bottom View)

- NCT7491 = Specific Device Code
- A = Assembly Location
- YY = Year
- WW = Work Week
- G = Pb-Free Package

ORDERING INFORMATION

See detailed ordering and shipping information in the package dimensions section on page 79 of this data sheet.

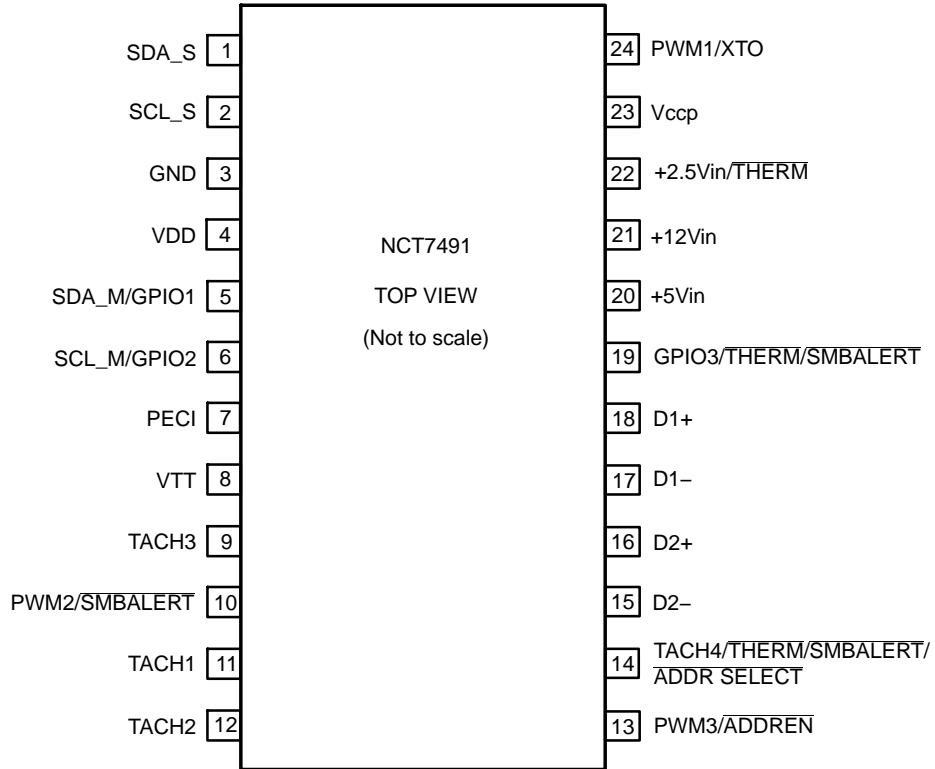
NCT7491

Table of Contents

| | |
|---|----|
| Features | 1 |
| NCT7491 QSOP Pinout | 3 |
| NCT7491 QFN Pinout | 3 |
| Absolute Maximum Ratings | 4 |
| Specifications | 4 |
| QSOP & QFN Package Pin Assignments | 7 |
| Comparison of NCT7491 and ADT7490 QSOP pinouts | 8 |
| Functional Comparison between the NCT7491 and the ADT7490 | 8 |
| Functional Block Diagram | 9 |
| Typical System Connections | 10 |
| SMBus Slave Interface | 11 |
| Analog Temperature Measurement | 13 |
| Push Registers | 15 |
| PECI 3.0 Interface | 15 |
| SMBus Compatible Master Port | 19 |
| Automatic Fan Control | 22 |
| Fan Override Settings | 26 |
| Fan Drive | 26 |
| THERM Assertion | 32 |
| THERM Timer | 33 |
| SMBALERT Functions | 34 |
| Voltage Monitoring | 35 |
| GPIO Functions | 36 |
| VCCP Low Detection | 37 |
| XNOR Tree Test Mode | 37 |
| Register Tables | 38 |
| Ordering Guide | 79 |
| QSOP Package Dimensions | 79 |
| QFN Package Dimensions | 80 |

NCT7491

NCT7491 QSOP Pinout



NCT7491 QFN Pinout

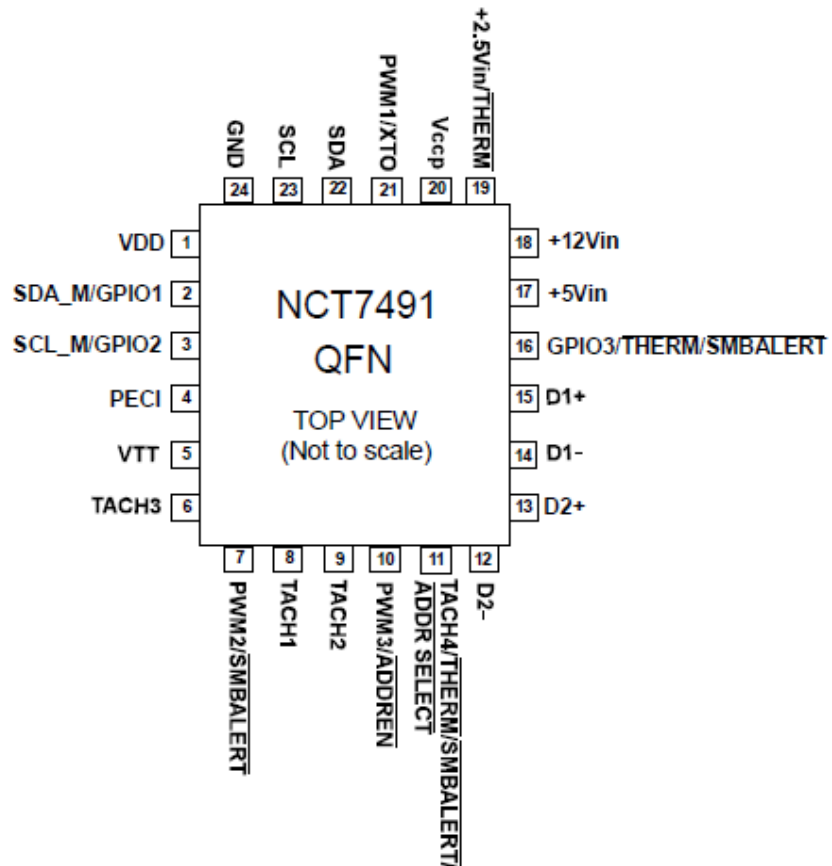


Table 1. ABSOLUTE MAXIMUM RATINGS

| Parameter | Rating |
|--|------------------|
| Positive Supply Voltage (V_{CC}) | 3.6 V |
| Maximum Voltage on +12V _{IN} Pin | 14 V |
| Maximum Voltage on +5V _{IN} Pin | 6.25 V |
| Maximum Voltage on All Open-Drain Outputs (excluding PWM pins) | 3.6 V |
| Maximum Voltage on PWM Pins | +5.5 V |
| Maximum Voltage on TACH Pins | +5.5 V |
| Voltage on Remaining Input or Output Pins | -0.3 V to +4.2 V |
| Input Current at Any Pin | ±5 mA |
| Package Input Current | ±20 mA |
| Maximum Junction Temperature ($T_{J\ max}$) | 150°C |
| Storage Temperature Range | -65°C to +150°C |
| Lead Temperature, Soldering | |
| IR Reflow Peak Temperature | 220°C |
| Pb-Free Peak Temperature | 260°C |
| Lead Temperature (Soldering, 10 sec) | 300°C |
| ESD Rating | |
| HBM | 2 kV |
| FICDM | 0.5 kV |

Stresses exceeding those listed in the Maximum Ratings table may damage the device. If any of these limits are exceeded, device functionality should not be assumed, damage may occur and reliability may be affected.

Specifications

$T_A = T_{MIN}$ to T_{MAX} , $V_{CC} = V_{MIN}$ to V_{MAX} , unless otherwise noted. All voltages are measured with respect to GND, unless otherwise specified. Typical voltages are at $T_A = 25^\circ\text{C}$ and represent a parametric norm. Logic inputs accept input high voltages up to V_{MAX} , even when the device is

operating down to V_{MIN} . Timing specifications are tested at logic levels of $V_{IL} = 0.8\text{ V}$ for a falling edge, and $V_{IH} = 2.0\text{ V}$ for a rising edge. SMBus timing specifications are guaranteed by design and are not production tested.

Table 2. SPECIFICATIONS

| Parameter | Min | Typ | Max | Unit | Test Conditions/Comments |
|----------------------------------|-----|------|------|------|---|
| POWER SUPPLY | | | | | |
| Supply Voltage | 3.0 | 3.3 | 3.6 | V | |
| Supply Current, I_{CC} | | 1.5 | 5 | mA | Interface inactive, ADC active |
| TEMP-TO-DIGITAL CONVERTER | | | | | |
| Local Sensor Accuracy | | ±0.5 | ±3.5 | °C | $0^\circ\text{C} \leq T_A \leq 85^\circ\text{C}$ |
| Local Sensor Resolution | | 0.25 | | °C | |
| Remote Diode Sensor Accuracy | | ±0.5 | ±3.5 | °C | $0^\circ\text{C} \leq T_A \leq 85^\circ\text{C}$ $-40^\circ\text{C} \leq T_D \leq 125^\circ\text{C}$ |
| Remote Sensor Resolution | | 0.25 | | °C | |
| Remote Sensor Source Current | | 30 | | μA | Low Level 1 |
| | | 240 | | μA | High Level 1 |
| | | 37.5 | | μA | Low Level 2 |
| | | 300 | | μA | High Level 2 |
| Series Resistance Cancellation | | | 270 | Ω | |

NCT7491

Table 2. SPECIFICATIONS

| Parameter | Min | Typ | Max | Unit | Test Conditions/Comments |
|--|----------------------|--------|---------------------|-------------------|---|
| ANALOG-TO-DIGITAL CONVERTER (INCLUDING MUX AND ATTENUATORS) | | | | | |
| Total Unadjusted Error (TUE) | | | ±2 | % | For 12 V channel |
| | | | ±1.5 | % | For all other channels |
| Differential Nonlinearity (DNL) | | | ±1 | LSB | 8 bits |
| Power Supply Sensitivity | | ±0.1 | | %/V | |
| Conversion Time (Voltage Input) | | 11 | | ms | Averaging enabled, 16 samples per averaged reading. |
| Conversion Time (Local Temperature) | | 38 | | ms | Averaging enabled, 16 samples per averaged reading. |
| Conversion Time (Remote Temperature) | | 38 | | ms | Averaging enabled, 16 samples per averaged reading. |
| Input Resistance | | 224 | | kΩ | For +12 V channel |
| | | 110 | | kΩ | For all other channels |
| FAN RPM-TO-DIGITAL CONVERTER | | | | | |
| Accuracy | | | ±10 | % | 0°C ≤ T _A ≤ 85°C |
| | | | ±14 | % | -40°C ≤ T _A ≤ 125°C |
| Full-Scale Count | | | 65,535 | | |
| Nominal Input RPM | | 109 | | RPM | Fan count = 0xBFFF |
| | | 329 | | RPM | Fan count = 0x3FFF |
| | | 5,000 | | RPM | Fan count = 0x0438 |
| | | 10,000 | | RPM | Fan count = 0x021C |
| OPEN-DRAIN DIGITAL OUTPUTS, PWM1 TO PWM3, XTO | | | | | |
| Current Sink, I _{OL} | | | 8.0 | mA | |
| Output Low Voltage, V _{OL} | | | 0.4 | V | I _{OUT} = -8.0 mA |
| High Level Output Current, I _{OH} | | 0.1 | 20 | μA | V _{OUT} = V _{CC} |
| OPEN-DRAIN SERIAL DATA BUS OUTPUTS (SDA, SDA_M, SCL_M) | | | | | |
| Output Low Voltage, V _{OL} | | | 0.4 | V | I _{OUT} = -4.0 mA |
| High Level Output Current, I _{OH} | | 0.1 | 1.0 | μA | V _{OUT} = V _{CC} |
| SMBus DIGITAL INPUTS (SCL, SDA, SDA_M) | | | | | |
| Input High Voltage, V _{IH} | 2.0 | | | V | |
| Input Low Voltage, V _{IL} | | | 0.4 | V | |
| Hysteresis | | 500 | | mV | |
| DIGITAL I/O (PECI PIN) | | | | | |
| V _{TT} Supply Voltage | 0.85 | | 1.26 | V | |
| Input High Voltage, V _{IH} | 0.55*V _{tt} | | | V | |
| Input Low Voltage, V _{IL} | | | 0.5*V _{tt} | V | |
| Hysteresis | 0.1V _{tt} | | | V | Hysteresis between input switching levels |
| High level output source current, I _{SOURCE} | -6 | | | mA | Output High Voltage, V _{OH} = 0.75*V _{tt} |
| Low level output sink current, I _{SINK} | 0.5 | | 1.0 | mA | Output Low Voltage, V _{OL} = 0.25*V _{tt} |
| Signal noise immunity, V _{noise} | 300 | | | mV _{p-p} | Noise glitches from 10 – 100MHz Width up to 50ns |

NCT7491

Table 2. SPECIFICATIONS

| Parameter | Min | Typ | Max | Unit | Test Conditions/Comments |
|---|------|---------|----------------------|-----------|----------------------------|
| DIGITAL INPUT LOGIC LEVELS (TACH INPUTS) | | | | | |
| Input High Voltage, V_{IH} | 2.0 | | | V | |
| | | | 5.5 | V | Maximum input voltage |
| Input Low Voltage, V_{IL} | | | 0.8 | V | |
| | -0.3 | | | V | Minimum input voltage |
| Hysteresis | | 0.5 | | V_{p-p} | |
| DIGITAL INPUT LOGIC LEVELS (THERM) | | | | | |
| Input High Voltage, V_{IH} | | | $0.75 \times V_{TT}$ | V | |
| Input Low Voltage, V_{IL} | | | 0.4 | V | |
| DIGITAL INPUT CURRENT | | | | | |
| Input High Current, I_{IH} | | ± 1 | | μA | $V_{IN} = V_{CC}$ |
| Input Low Current, I_{IL} | | ± 1 | | μA | $V_{IN} = 0$ |
| Input Capacitance, C_{IN} | | 5 | | pF | |
| SLAVE SERIAL BUS TIMING (See Figure 1) | | | | | |
| Clock Frequency, f_{SCLK} | 10 | | 100 | kHz | |
| Glitch Immunity, t_{SW} | | | 50 | ns | |
| Bus Free Time, t_{BUF} | 4.7 | | | μs | |
| SCL Low Time, t_{LOW} | 4.7 | | | μs | |
| SCL High Time, t_{HIGH} | 4.0 | | 50 | μs | |
| SCL, SDA Rise Time, t_r | | | 1,000 | ns | |
| SCL, SDA Fall Time, t_f | | | 300 | ns | |
| Data Setup Time, $t_{SU;DAT}$ | 250 | | | ns | |
| Detect Clock Low Timeout, $t_{TIMEOUT}$ | 15 | | 35 | ms | Can be optionally disabled |
| MASTER SERIAL BUS TIMING | | | | | |
| Clock Frequency, f_{SCLK} | | 100 | | kHz | |

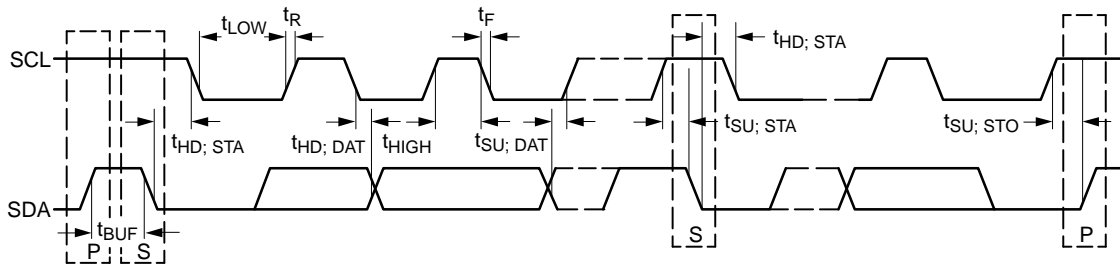


Figure 1. SMBus Timing Diagram for Slave Port and Master Port

NCT7491

Table 3. QSOP & QFN PACKAGE PIN ASSIGNMENTS

| QSOP Pin No. | QFN Pin No. | Pin Name | Description |
|--------------|-------------|--|---|
| 1 | 22 | SDA_S | SMBus/I ² C Slave Serial Bi-directional Data Input/Output. Open-drain pin; Requires a pull-up resistor. |
| 2 | 23 | SCL_S | Serial Clock Slave Input. Open-drain pin; Requires a pull-up resistor. |
| 3 | 24 | GND | Ground |
| 4 | 1 | VDD | Positive Supply Voltage |
| 5 | 2 | SDA_M / GPIO1 | Open-drain pin; Requires a pull-up resistor. GPIO1 = General purpose I/O pin SDA_M = SMBus/I ² C Master Serial Bi-directional Data Input/Output. |
| 6 | 3 | SCL_M / GPIO2 | Open-drain pin; Requires a pull-up resistor. GPIO2 = General purpose I/O pin SCL_M = Serial Clock Master Output. |
| 7 | 4 | PECI | PECI input to report CPU Thermal Information. Peci voltage level is referenced to the VTT input. |
| 8 | 5 | VTT | Voltage reference for Peci. This is the supply voltage for the Peci interface and must be present to communicate over the Peci interface. |
| 9 | 6 | TACH3 | Fan tachometer input to measure Fan3 |
| 10 | 7 | PWM2 / #SMBALERT | PWM output to control Fan2. Can be configured as an SMBALERT output. Open-drain pin; Requires a pull-up resistor. |
| 11 | 8 | TACH1 | Fan tachometer input to measure Fan1 |
| 12 | 9 | TACH2 | Fan tachometer input to measure Fan2 |
| 13 | 10 | PWM3 / #ADDREN | PWM output to control Fan3. If pulled low on power-up the NCT7491 enters Address Select mode and the ADDRESS SELECT pin determines the slave address. Open-drain pin; Requires a pull-up resistor. |
| 14 | 11 | TACH4/ #THERM/ #SMBALERT/ #ADDRESS SELECT | Fan Tachometer Input to Measure Speed of Fan 4. May be reconfigured as a bidirectional THERM. Can be connected to the PROCHOT output of a processor, to time and monitor PROCHOT assertions. Can be used as an output to signal an overtemperature condition. The SMBALERT pin is used to signal out-of-limit comparisons of temperature, voltage, and fan speed. This is compatible with SMBus alert. Can also be used at device powerup to assign the SMBus address. If THERM or SMBALERT is enabled then a pull-up resistor is required. |
| 15 | 12 | D2- | Negative Connection for Remote Temperature Sensor 2. |
| 16 | 13 | D2+ | Positive Connection for Remote Temperature Sensor 2. |
| 17 | 14 | D1- | Negative Connection for Remote Temperature Sensor 1. |
| 18 | 15 | D1+ | Positive Connection for Remote Temperature Sensor 1. |
| 19 | 16 | GPIO3/ #THERM/ #SMBALERT | General-Purpose Open-Drain Digital Input/Output. Requires a pull-up resistor. Can be configured as a bidirectional THERM pin or as an SMBALERT pin. |
| 20 | 17 | +5Vin | Analog Input. 0 V to 5 V. |
| 21 | 18 | +12Vin | Analog Input. 0 V to 12 V. |
| 22 | 19 | +2.5V / #THERM | Analog Input. 0 V to 2.5 V. May be reconfigured as a bidirectional THERM pin. Can be connected to the PROCHOT output of a processor, to time and monitor PROCHOT assertions. Can be used as an output to signal an overtemperature condition. In THERM mode it is an open-drain bidirectional pin and requires a pull up resistor. |
| 23 | 20 | Vccp | Analog input. Monitors CPU core voltage (to maximum of 3.0 V). This pin must be connected to the NCT7491 supply voltage if it is unused. |
| 24 | 21 | PWM1 / XTO | PWM output to control Fan 1. Open-drain pin; Requires a pull-up resistor. Also functions as the output for the XNOR tree test enable mode. |

NCT7491

Table 4. COMPARISON OF NCT7491 AND ADT7490 QSOP PINOUTS

| QSOP Pin No. | NCT7491 | ADT7490 |
|--------------|--|--|
| 1 | SDA_S | SDA |
| 2 | SCL_S | SCL |
| 3 | GND | GND |
| 4 | VDD | VDD |
| 5 | SDA_M / GPIO1 | GPIO1 |
| 6 | SCL_M / GPIO2 | GPIO2 |
| 7 | PECI | PECI |
| 8 | VTT | VTT |
| 9 | TACH3 | TACH3 |
| 10 | PWM2 / #SMBALERT | PWM2 / #SMBALERT |
| 11 | TACH1 | TACH1 |
| 12 | TACH2 | TACH2 |
| 13 | PWM3 / #ADDREN | PWM3 / #ADDREN |
| 14 | TACH4/#THERM/#SMBALERT/ #ADDRESS SELECT | TACH4/#THERM/#SMBALERT/ #ADDRESS SELECT |
| 15 | D2- | D2- |
| 16 | D2+ | D2+ |
| 17 | D1- | D1- |
| 18 | D1+ | D1+ |
| 19 | GPIO3/#THERM/#SMBALERT | IMON |
| 20 | +5Vin | +5Vin |
| 21 | +12Vin | +12Vin |
| 22 | +2.5V / #THERM | +2.5V / #THERM |
| 23 | Vccp | Vccp |
| 24 | PWM1 / XTO | PWM1 / XTO |

Functional Comparison between the NCT7491 and the ADT7490

- NCT7491 supports PECI 3.0 commands.
- NCT7491 uses an SMBus Master port to read digital temperatures.
- I_{MON} voltage monitoring pin (pin 19) on the ADT7490 is replaced with digital pin (SMBALERT/THERM/GPIO) on the NCT7491
- NCT7491 does not support Dynamic T_{min} fan control.
- NCT7491 allows any combination of temperature sources to control any fan.
- NCT7491 allows individual PWM responses to THERM events.
- NCT7491 THERM behaviour is more flexible, allowing stepped response to THERM events.
- REPLACE mode for PECI is not supported by the NCT7491
- The NCT7491 register map is organized into two pages. 0x00–0xFF (page 1) and 0x100–0x1FF (page 2)
- The NCT7491 supports PWM look-up table automatic fan control along with the T_{min}/Trange control method used in the ADT7490
- The NCT7491 allows temperatures to be written to the device from an external master. These values can be assigned for fan control and Limit/THERM assertion functions
- PECI fan control can be implemented in relative or absolute modes. Absolute mode uses the T_{jmax} value read from the CPU plus the PECI temperature to determine the actual core temperature.
- The reference for voltage measurement has changed from 2.25 V on the ADT7490 to 2 V on the NCT7491.

NCT7491

Functional Block Diagram

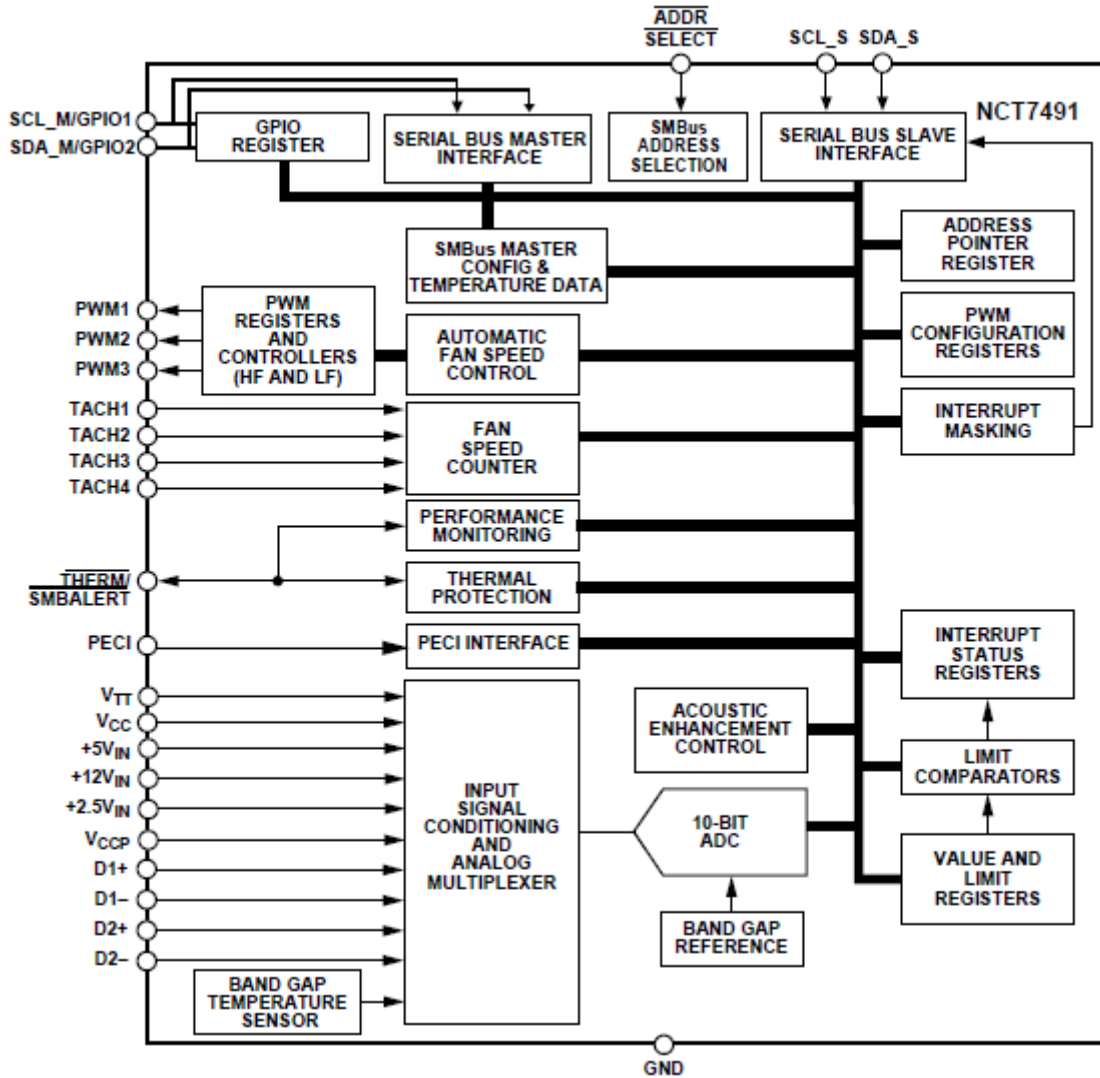


Figure 2. Functional Block Diagram of NCT7491

NCT7491

Typical System Connections

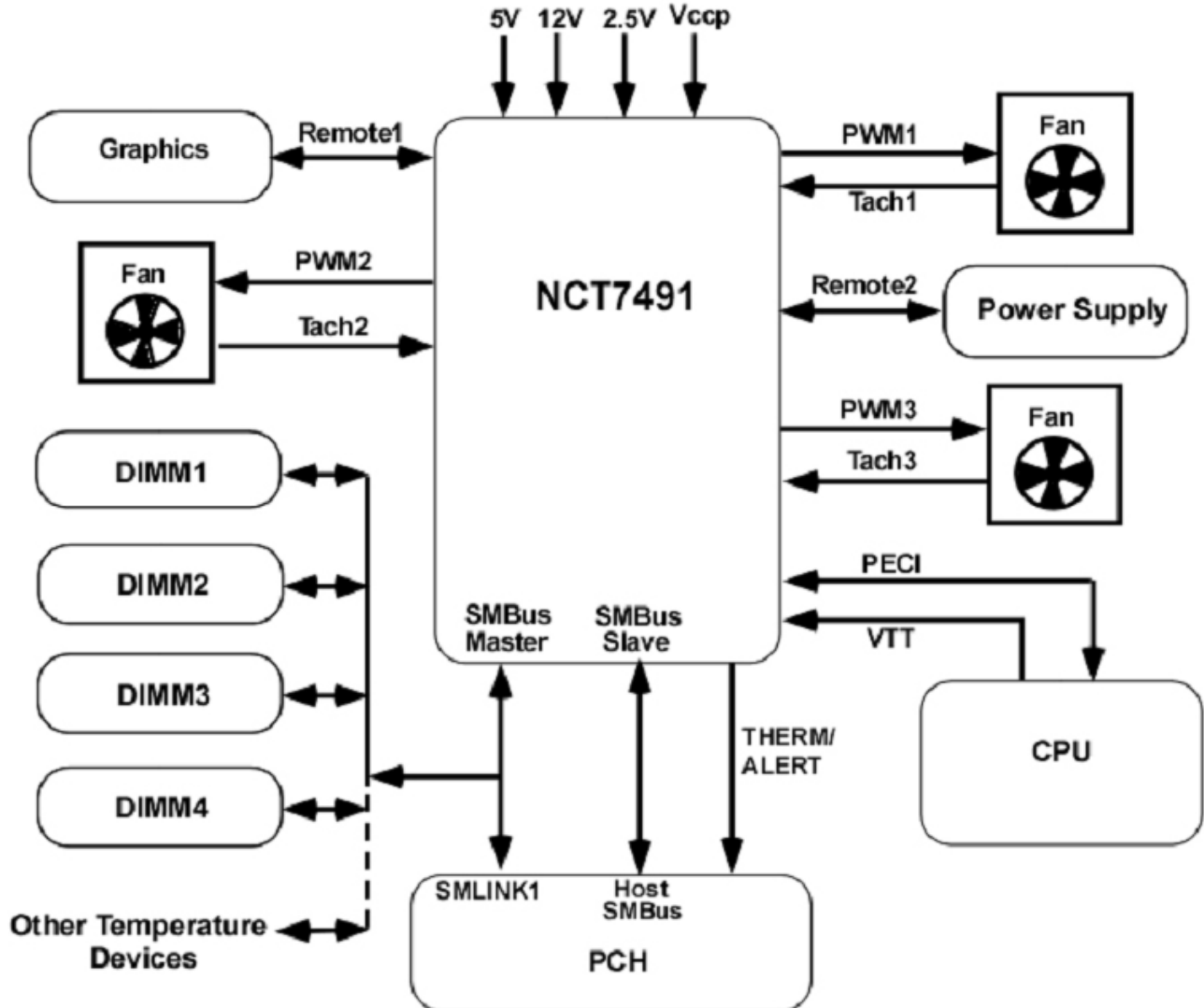


Figure 3. System Connection Diagram

SMBus Slave Interface

Control of the NCT7491 is carried out using the serial system management bus (SMBus). The NCT7491 is connected to this bus as a slave device, under the control of a master controller. The NCT7491 has a 7-bit serial bus address. When the device is powered up with the ADDREN pin high, the NCT7491 has a default SMBus address of 0101110 or 0x2E. The read/write bit must be added to get the 8-bit address.

If more than one NCT7491 is to be used in a system, each additional NCT7491 is placed in address select mode by strapping ADDREN low on power-up. The logic state of the ADDRESS SELECT pin then determines the device's SMBus address.

The device address is latched on the first valid SMBus transaction, more precisely on the low-to-high transition at the beginning of the eighth SCL pulse, when the serial bus address byte matches the selected slave address. Any attempted changes in the address have no effect after this.

SMBus Addressing Options

Table 5. SETTING THE SMBUS ADDRESS

| ADDREN pin state | ADDRESS SELECT pin state | Address |
|------------------|--------------------------|----------------|
| 0 | Low (10 kΩ to GND) | 0101100 (0x2C) |
| 0 | High (10 kΩ pull-up) | 0101101 (0x2D) |
| 1 | Don't care | 0101110 (0x2E) |

Data is sent over the serial bus in sequences of nine clock pulses: eight bits of data followed by an acknowledge bit from the slave device. Transitions on the data line must occur during the low period of the clock signal and remain stable during the high period, because a low-to-high transition when the clock is high may be interpreted as a stop signal. The number of data bytes that can be transmitted over the serial bus in a single read or write operation is limited only by what the master and slave devices can handle.

When all data bytes have been read or written, stop conditions are established. In write mode, the master floats

the data line high after the 10th clock rising edge to assert a stop condition. In read mode, the master device overrides the acknowledge bit by floating the data line high during the low period before the ninth clock pulse; this is known as No acknowledge. The master takes the data line low during the low period before the 10th clock rising edge, and then high after the 10th clock rising edge to assert a stop condition.

In the NCT7491, write operations contain either one or two bytes, and read operations contain one byte. To write data to one of the device data registers or read data from it, the address pointer register must be set so that the correct data register is addressed. Then data can be written into that register or read from it. The first byte of a write operation always contains an address that is stored in the address pointer register. If data is to be written to the device, the write operation must contain a second data byte that is written to the register selected by the address pointer register.

This write operation is shown in Figure 4. The device address is sent over the bus, and then R/W is set to 0. This is followed by two data bytes. The first data byte is the address of the internal data register to be written to, which is stored in the address pointer register. The second data byte is the data to be written to the internal data register.

When reading data from a register, there are two possibilities:

- If the NCT7491 address pointer register value is unknown or not the desired value, it must first be set to the correct value before data can be read from the desired data register. This is done by performing a write to the NCT7491 as before, but only the data byte containing the register address is sent because no data is written to the register. This is shown in Figure 5. A read operation is then performed consisting of the serial bus address, R/W bit set to 1, followed by the data byte read from the data register. This is shown in Figure 6.
- If the address pointer register is known to be already at the desired address, data can be read from the corresponding data register without first writing to the address pointer register, as shown in Figure 6.

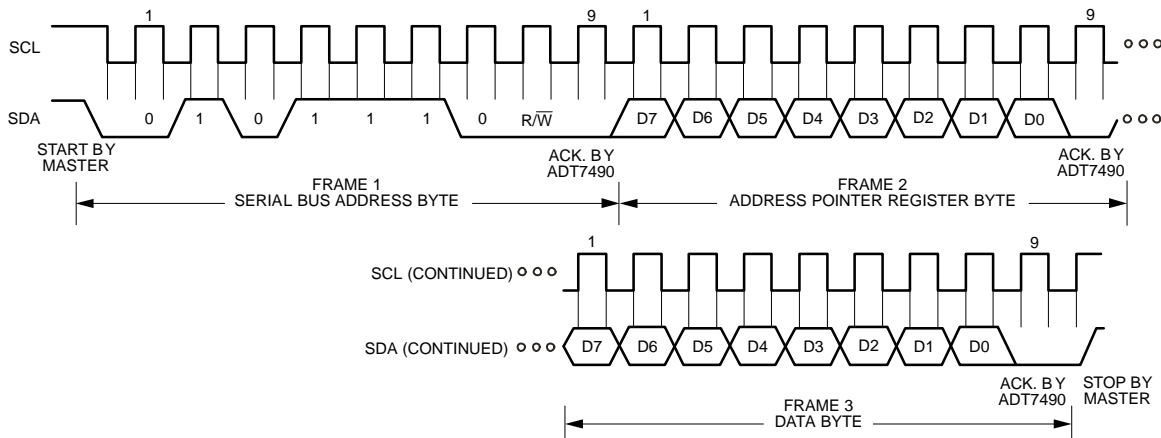


Figure 4. Writing a Register Address to the Address Pointer Register, then Writing Data to the Selected Register

NCT7491

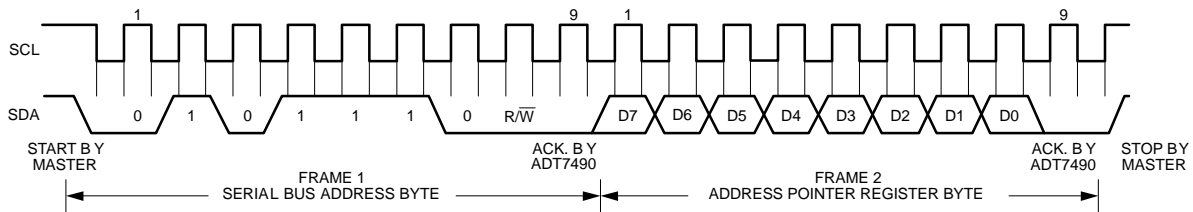


Figure 5. Writing to the Address Pointer Register Only

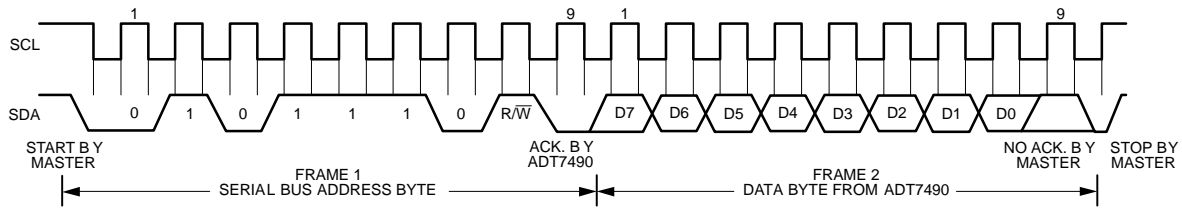


Figure 6. Reading Data from a Previously Selected Register

It is possible to read a data byte from a data register without first writing to the address pointer register if the address pointer register is already at the correct value. However, it is not possible to write data to a register without writing to the address pointer register because the first data byte of a write is always written to the address pointer register.

In addition to supporting the send byte and receive byte protocols, the NCT7491 also supports the read byte protocol (see *System Management Bus Specifications Rev. 2* for more information; this document is available from the SMBus organization).

If several read or write operations must be performed in succession, the master can send a repeat start condition instead of a stop condition to begin a new operation.

Write Operations

The SMBus specification defines several protocols for different types of read and write operations. The ones used in the NCT7491 are discussed here. The following abbreviations are used in the diagrams:

- S – Start
- P – Stop
- R – Read
- \overline{W} – Write
- A – Acknowledge
- \overline{A} – No acknowledge

The NCT7491 uses the following SMBus write protocols.

Send Byte

In this operation, the master device sends a single command byte to a slave device, as follows:

1. The master device asserts a start condition on SDA.
2. The master sends the 7-bit slave address followed by the write bit (low).
3. The addressed slave device asserts ACK on SDA.
4. The master sends a command code.
5. The slave asserts ACK on SDA.

6. The master asserts a stop condition on SDA and the transaction ends.

For the NCT7491, the send byte protocol is used to write a register address to RAM for a subsequent single-byte read from the same address. This operation is illustrated in Figure 7.

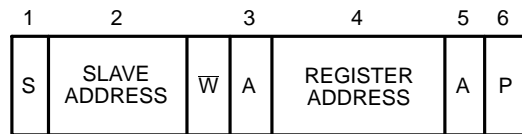


Figure 7. Setting a Register Address for Subsequent Read

If the master is required to read data from the register immediately after setting up the address, it can assert a repeat start condition immediately after the final ACK and carry out a single-byte read without asserting an intermediate stop condition.

Write Byte

In this operation, the master device sends a command byte and one data byte to the slave device, as follows:

1. The master device asserts a start condition on SDA.
2. The master sends the 7-bit slave address followed by the write bit (low).
3. The addressed slave device asserts ACK on SDA.
4. The master sends a command code.
5. The slave asserts ACK on SDA.
6. The master sends a data byte.
7. The slave asserts ACK on SDA.
8. The master asserts a stop condition on SDA, and the transaction ends.

The byte write operation is illustrated in Figure 8.

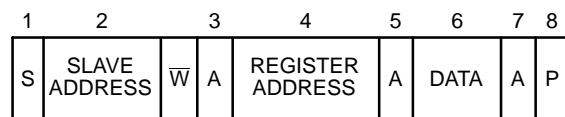


Figure 8. Single Byte Write to a Register

Read Operations

The NCT7491 uses the following SMBus read protocols.

Receive Byte

This operation is useful when repeatedly reading a single register. The register address must be previously set up. In this operation, the master device receives a single byte from a slave device, as follows:

1. The master device asserts a start condition on SDA.
2. The master sends the 7-bit slave address followed by the read bit (high).
3. The addressed slave device asserts ACK on SDA.
4. The master receives a data byte.
5. The master asserts NO ACK on SDA.
6. The master asserts a stop condition on SDA, and the transaction ends.

In the NCT7491, the receive byte protocol is used to read a single byte of data from a register whose address has previously been set by a send byte or write byte operation. This operation is illustrated in Figure 9.

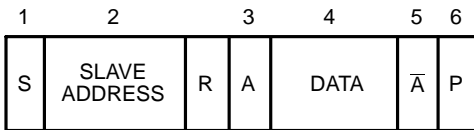


Figure 9. Single-Byte Read from a Register

Alert Response Address

Alert response address (ARA) is a feature of SMBus devices that allows an interrupting device to identify itself to the host when multiple devices exist on the same bus.

The SMBALERT output can be used as either an interrupt output or an SMBALERT. One or more outputs can be connected to a common SMBALERT line connected to the master. If a device's SMBALERT line goes low, the following events occur:

1. SMBALERT is pulled low.
2. The master initiates a read operation and sends the alert response address (ARA = 0001 100). This is a general call address that must not be used as a specific device address.
3. The device whose SMBALERT output is low responds to the alert response address, and the master reads its device address. The address of the device is now known and can be interrogated in the usual way.
4. If more than one device's SMBALERT output is low, the one with the lowest device address has priority in accordance with normal SMBus arbitration.
5. Once the NCT7491 has responded to the alert response address, the master must read the status registers, and the SMBALERT is cleared only if the error condition is gone.

SMBus Timeout

The NCT7491 includes an SMBus timeout feature. If there is no SMBus activity for 25 ms, the NCT7491 assumes

the bus is locked and releases the bus. This prevents the device from locking or holding the SMBus expecting data. Some SMBus controllers cannot work with the SMBus timeout feature, so it can be disabled.

Register 0x11 <4> TODIS = 0, SMBus timeout enabled (default). <4> TODIS = 1, SMBus timeout disabled.

Register Map Paging

The NCT7491 register map is organized into two pages:

- Page 1 contains register addresses 0x00 to 0xFF
- Page 2 contains register addresses 0x100 to 0x1FF

The default page on power up is page 1, so any SMBus read/writes to the NCT7491 will be to addresses in the range 0x00–0xFF.

To access page 2 of the register map, bit 0 (RGMP) of register 0xFF must be set to 1. Any subsequent read/writes after that bit is set will be to addresses in the range 0x100 to 0x1FF, e.g. reading from address 0x22 when RGMP is set will read from register 0x122. Bit 0 of register 0xFF is, in effect, the MSb of the address pointer. To return to page 1, bit 0 (RGMPCL) of register 0x1FF must be cleared to 0.

All register read/writes referenced in this document refer to registers on SMBus Page 1 unless stated otherwise.

Analog Temperature Measurement

A simple method of measuring temperature is to exploit the negative temperature coefficient of a diode connected transistor, measuring the base emitter voltage (V_{BE}) of a transistor operated at constant current. However, this technique requires calibration to null the effect of the absolute value of V_{BE} , which varies from device to device.

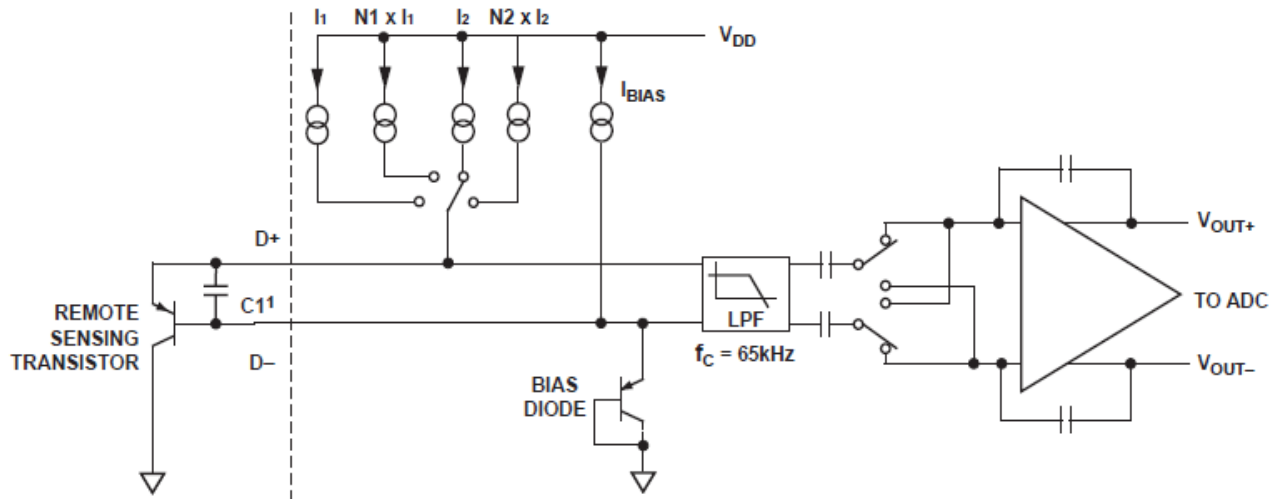
The technique used in the NCT7491 measures the change in V_{BE} when the device operates at four different currents.

Figure 10 shows the input signal conditioning used to measure the output of an external temperature sensor. This figure shows the external sensor as a substrate transistor, but it can equally be a discrete transistor. If a discrete transistor is used, the collector is not grounded but is linked to the base.

To prevent ground noise interfering with the measurement, the more negative terminal of the sensor is not referenced to ground, but is biased above ground by an internal diode at the D- input. C1 may be added as a noise filter (a recommended maximum value of 1000 pF). However, a better option in noisy environments is to add a filter, as described in the Noise Filtering section.

To measure ΔV_{BE} , the operating current through the sensor is switched among 4 currents, 2 x 2 related currents. As shown in Figure 10, $N1 \times I_1$ is a multiple of I_1 and $N2 \times I_2$ is a multiple of I_2 . The currents through the temperature diode are switched between I and $N1 \times I$, giving ΔV_{BE1} ; and then between I and $N2 \times I$, giving ΔV_{BE2} . The temperature is then calculated using the two ΔV_{BE} measurements. This method cancels the effect of any series resistance on the temperature measurement.

NCT7491



¹CAPACITOR C1 IS OPTIONAL. IT IS ONLY NECESSARY IN NOISY ENVIRONMENTS. C1 = 1000pF MAX.

Figure 10. Analog Temperature Measurement Method

Series Resistance Cancellation

Parasitic resistance to the D+ and D- inputs to the NCT7491, seen in series with the remote diode, is caused by a variety of factors, including PCB track resistance and track length and internal resistance in the CPU. This series resistance appears as a temperature offset in the remote sensor's temperature measurement. This error typically causes a 0.5 degree C offset per ohm of parasitic resistance in series with the remote diode.

The NCT7491 automatically cancels the effect of this series resistance on the temperature reading, giving a more accurate result, without the need for user characterization of this resistance. The NCT7491 is designed to automatically cancel typically up to 270 Ω of resistance in series with the thermal diode. By using an advanced temperature measurement method, this process is transparent to the user. This feature permits resistances to be added to the sensor path to produce a filter, allowing the part to be used in noisy environments.

Temperature Measurement Results

The results of the Local, Remote 1 and Remote 2 temperature measurements are stored in the local (0x26), remote 1 (0x25) and remote 2 (0x27) temperature value registers in two's complement format or Offset 64 format, depending on bit 0 if register 0x7C (1 = 2's complement, 0 = Offset 64). These results are then compared with limits programmed into the local, remote 1 and remote 2 high and low limit registers. The high, low and THERM limits for the local, remote 1 and remote 2 channels must be in the same format as the temperature reading i.e. 2's complement or Offset 64.

All the temperature measurement data for each channel is stored in two registers, one for the MSB and one for the LSB. This gives the temperature measurement resolution of 0.25°C. When reading the full external temperature value, read the LSB first. This causes the MSB to be locked (that is, the ADC does not write to it) until it is read. This feature

ensures that the results read back from the two registers come from the same measurement.

Theoretically, the temperature sensor and ADC can measure temperatures from -64°C to +127.5°C with a resolution of +0.25°C. However, this exceeds the operating temperature range of the device, so local temperature measurements outside the NCT7491 operating temperature range are not possible.

- Remote1 result registers: 0x25 (MSB), 0x77 bits <3:2> (2 LSB)
- Local result registers: 0x26 (MSB), 0x77 bits <5:4> (2 LSB)
- Remote1 result registers: 0x27 (MSB), 0x77 bits <7:6> (2 LSB)

Table 6. TWO'S COMPLEMENT FORMAT

| Temperature | Digital Output (10-Bit) |
|----------------------|-------------------------|
| -64°C | 1100 0000 00 |
| -55°C | 1100 1001 00 |
| -40°C | 1101 1000 00 |
| -10°C | 1111 0110 00 |
| -1°C | 1111 1111 00 |
| -0.25°C | 1111 1111 11 |
| 0°C | 0000 0000 00 |
| 10.25°C | 0000 1010 01 |
| 25°C | 0001 1001 00 |
| 125°C | 0111 1101 00 |
| 127.5°C | 0111 1111 10 |
| Diode Fault - 127.75 | 0111 1111 11 |

NOTE: Bold numbers denote the LSB bits from extended resolution register 0x77.

Offset 64 Format

In Offset 64 mode the range of values monitored is -64°C to 191.5°C (as opposed to -64°C to $+127.5^{\circ}\text{C}$ in 2's complement mode). To read the temperature in this format the user must subtract 64 from the value returned from the temperature register. Offset 64 mode is enabled by setting bit 0 of register 0x7C to zero.

Table 7. OFFSET64

| Register Code | Temperature |
|---------------|-----------------------|
| 0 | -64°C |
| 32 | -32°C |
| 64 | 0°C |
| 100 | 36°C |
| 255 | 191°C |

Round Robin Temperature Measurement

The local and remote sensors are read in sequence in a continuous loop when monitoring is enabled (setting bit 0 of register 0x40). The user may decide which temperature channels are included in the monitoring loop using bits <2:0> in register 0x13.

- Setting <0> of register 0x13 includes the local channel in the monitoring loop.
- Setting <1> of register 0x13 includes the remote1 channel in the monitoring loop.
- Setting <2> of register 0x13 includes the remote2 channel in the monitoring loop.

Any channel not required in an application should be removed from the loop to reduce the overall monitoring time. Voltage channels may also be selected for the monitoring loop. See the Voltage Monitoring section for more information.

Temperature Averaging

The number of samples over which the temperature readings (and voltage readings) are averaged is set by bits <7:6> of register 0x40. The options are:

- 4 samples per averaged reading, <7:6> = <00>
- 8 samples per averaged reading, <7:6> = <01>
- 16 samples per averaged reading, <7:6> = <10>
- 32 samples per averaged reading, <7:6> = <11>

Averaging can be disabled for temperature readings by setting bit <4> of register 0x73.

Temperature Limits

Temperature limits can be set for each channel to detect an out of limit condition. These registers are programmed in the same format as the temperature reading, so if Offset64 mode is enabled then these registers must be programmed in that format, otherwise they are programmed as 2's complement.

- Remote1 Low Limit register: 0x4E
- Remote1 High Limit register: 0x4F

- Local Low Limit register: 0x50
- Local High Limit register: 0x51
- Remote2 Low Limit register: 0x52
- Remote2 High Limit register: 0x53

Offset Registers

Offset errors can be introduced into the temperature measurements by clock noise or when the thermal diode is located away from the hot spot. To achieve the specified accuracy on this channel, these offsets must be removed.

The offset value is stored as an 8-bit, twos complement value. The value in the offset register is added to, or subtracted from, the measured value of the relevant temperature. The offset register has a default value of 0°C and has no effect unless the user writes a different value to it. The resolution of the value in the offset register is determined by bit 1 of register 0x7C. If the bit is 0 then the resolution is 0.5°C . If the bit is 1 then the resolution is 1°C .

- Remote1 Offset, register 0x70
- Local Offset, register 0x71
- Remote2 Offset, register 0x72

Push Registers

The NCT7491 allows the user to program 4 temperatures into the device that can then be used for fan control and THERM/SMBALERT functions in the same way as other temperature sources. These temperatures can be written by the system SMBus master and should be programmed as 2's complement values.

- Push0, register 0xC8
- Push1, register 0xC9
- Push2, register 0xCA
- Push3, register 0xCB

Push Limit Registers

There are high, low and THERM limits associated with the Push channels. The same limits are applied to all 4 channels.

- Push Low Limit register, 0xCF
- Push High limit register, 0xCE
- Push THERM Limit register, 0xD0

Push Tmin/Trange Registers

The Push channels also have associated Tmin/Trange values for Automatic Fan Control. The hysteresis applied at the Tmin value can also be programmed.

- Push Tmin, 0xCC
- Push Trange, 0xCD bits <3:0>
- Push Hysteresis, 0xEB bits <3:0>

PECI 3.0 Interface

The PECI 3.0 interface reads thermal data from the up to 4 CPUs located at PECI addresses between 0x30 and 0x37 (the first 4 addresses populated are used), and from 1 or 2 domains per CPU. The hottest reading from the domains for each CPU is stored in the PECI temperature registers. It can

also write thermal data to the Package Configuration Space in the CPU. A PECI reading is a negative value, in degrees Celsius, which represents the offset from the thermal control circuit (T_{CC}) activation temperature. PECI information is returned as a 16-bit 2's complement value from which the 8-bit 2's complement value is derived. See the Platform Environment Control Interface (PECI) Specification from Intel for more details on the PECI data format. The PECI temperature stored for each CPU is an averaged value; the averaging window is user programmable.

The NCT7491 automatically detects the presence of a CPU at each of the supported addresses, and also detects the number of supported domains for each CPU. The presence of each CPU is indicated in the NCT7491 status registers.

On power up, the PECI interface will become active when the voltage measured on VTT is above 0.5 V and the voltage on Vccp is above 0.5 V. The returned CPU temperature will determine the behavior of the fans on power-up.

Thermal data that is collected by the NCT7491 (e.g. the DIMM temperatures) can be written to the CPU's Package Configuration Space (PCS) over the PECI 3.0 interface. This data can be used by the CPU to modify memory operations based on the DIMM temperature.

There are associated high and low limits for each PECI reading that can be programmed. The limit values take the same format as the PECI reading. Therefore, the programmed limits are not absolute temperatures but a relative offset in degrees Celsius from the TCC activation temperature. An out-of-limit event is recorded as follows:

- High Limit > comparison performed
- Low Limit \leq comparison performed

An out-of-limit event is recorded in the associated status register and can be used to assert the SMBALERT pin.

A generic PECI 3.0 interface command structure is also available to allow an external master to issue any PECI 3.0 command in addition to the commands implemented by the NCT7491 monitoring loops.

PECI V_{TT} Input

The PECI V_{TT} voltage is used as the reference voltage for the PECI interface. This voltage must be connected to the NCT7491 in order for the PECI interface to be operational. The PECI V_{TT} input is also monitored by the NCT7491 and has associated high and low limits to allow out-of-limit detection on the V_{TT} channel. The valid operational voltage range for PECI V_{TT} is 0.85 V to 1.26 V.

PECI Startup Operation

On power up of the NCT7491 the PECI V_{TT} pin and the Vccp pin are monitored. If the voltage on both of these pins rises above 0.5 V then the NCT7491 will wait 5 ms and then automatically scan the PECI port to check for the presence of PECI 3.0 enabled processors. For any processors that are detected the PECI address, the domain count, the Tcontrol value and the Tjmax value will be read and stored in the NCT7491. The CPU count bits will be set (bits <7:6> of register 0x88). The PDET bit (bit <0> of register 0x37) will

also be set to indicate that at least one CPU was detected. If any processors are detected then the PECI monitoring loop will automatically start.

The Vccp pin must be connected to an input voltage for the PECI interface to function correctly. If it is not connected to the CPU supply voltage then it should be connected to the NCT7491 supply voltage, Vcc. If the system processor does not support PECI 3.0 then the PECI monitoring loop will not automatically start. In that case the user can write to the PECI registers to manually configure the interface. The register descriptions are given below.

PECI Error Detection

The PECI 3.0 protocol includes FCS (Frame Check Sequence) bytes to guarantee data integrity. If there is a mismatch between the data and the FCS then a status bit indicates the communication failure (COMM status bit, register 0x43 bit <2>). PECI 3.0 also supports processor specific error codes to indicate error conditions relating to the temperature sensor within the processor (DATA status bit, register 0x43 bit <1>). These codes are shown in Table 8:

Table 8. DATA ERROR CODES

| DATA code bits <6:4>, 0x43 | DATA Error code | Description |
|----------------------------|-----------------|-------------------------------------|
| <000> | 0x8000 | General Sensor Error |
| <001> | 0x8002 | Temperature below operational range |
| <010> | 0x8003 | Temperature above operational range |

PECI Completion Code

Each read or write operation to the CPU Package Configuration Space returns a completion code to indicate the success or failure of the operation. The completion codes supported are shown in Table 9:

Table 9. COMPLETION CODES

| Completion Code | Description |
|-----------------|---|
| 0x40 | Command Passed, data is valid |
| 0x80 | Command timed out. Processor cannot generate required response in a timely fashion. Retry is appropriate. |
| 0x81 | Command timed out. Processor cannot allocate resources for the request. Retry is appropriate. |
| 0x90 | Unknown/Invalid/Illegal request |
| 0x91 | PECI Control hardware, firmware or associated logic error. The processor cannot process the request. |

The completion code status bit in the NCT7491 (register 0x81 bit <0>) indicates the result of each read/write operation.

PECI Registers

The registers relating to the operation of the PECI 3.0 interface are as follows:

Enabling the Interface:

- PECI Monitor, 0x40 bit 4

Setting PECI Monitor to 1 enables the PECI temperature monitoring loop. This will be automatically enabled on power up if the V_{TT} and V_{CCP} voltages have exceeded preset thresholds and any PECI 3.0 enabled processors have been automatically detected.

NOTE: The PDET bit (bit <0> 0x37) must also be set for correct operation.

Detected number of CPUs:

- CPU Count, 0x88 bits <7:6>
- PDET, 0x37 <0>

CPU Count indicates the number of populated CPUs. CPUs are automatically detected on power up by the NCT7491 and the number found is set here. The number can be overwritten by the user and sets the number of CPUs to be included in the temperature monitoring loop. The number of CPUs is 1 to 4, and the format is as shown in Table 10.

PDET is set if at least one PECI enabled processor is detected. If it is not automatically set then it must be set by the user.

Table 10. CPU COUNT

| 0x88 <7:6> | CPU Count |
|------------|-----------|
| <00> | 1 |
| <01> | 2 |
| <10> | 3 |
| <11> | 4 |

Domain Count bits:

- DOM0, 0x36 bit 3
- DOM1, 0x88 bit 5
- DOM2, 0x88 bit 4
- DOM3, 0x88 bit 3

These bits indicate the number of supported domains per CPU (0 = 1 domain, 1 = 2 domains). THE NCT7491 automatically detects these values on power up and sets the appropriate bits. They can be overwritten by the user.

PECI Interval:

- PECI Update Rate, 0x37 bits <5:4>

This determines the rate at which the PECI temperature registers are updated.

Table 11. UPDATE RATE

| 0x37 <5:4> | PECI Update Rate |
|------------|------------------|
| <00> | 1/sec |
| <01> | 2/sec |
| <10> | 5/sec |
| <11> | 10/sec |

PECI CPU Addresses:

- PECI0 CPU Address, 0x00
- PECI1 CPU Address, 0x01
- PECI2 CPU Address, 0x02
- PECI3 CPU Address, 0x03

These are the addresses used to access each CPU on the PECI interface and are automatically populated by the NCT7491 on power up. The values can be overwritten by the user.

PECI Temperature Values:

- PECI0 Temperature, 0x33
- PECI1 Temperature, 0x1A
- PECI2 Temperature, 0x1B
- PECI3 Temperature, 0x1C

These are the relative temperature values returned by the CPU. If a CPU is not populated then its associated temperature register can be written to by an external master. Data is stored in 2's complement format.

PECI Absolute Temperature Values:

- PECI0_Abs Temperature, 0x04
- PECI1_Abs Temperature, 0x05
- PECI2_Abs Temperature, 0x06
- PECI3_Abs Temperature, 0x07

These are the absolute CPU temperature values. They are automatically calculated by the NCT7491 from the relative temperature and the CPU T_{JMAX} value. See the **PECI T_{JMAX} Values** section. Data is stored in unsigned format.

Absolute PECI mode

The user can enable Absolute PECI mode by setting bit 2 of register 0x73 (ABS/REL) which will use the value stored in the PECI absolute temperature registers for fan control, THERM behaviour and SMBALERT behaviour rather than the relative PECI values.

PECI Averaging

The number of samples over which the PECI master will calculate an averaged temperature reading for each CPU can be set in register 0x36, bits <2:0>:

- <000> = No averaging
- <001> = Averaged over 2 samples
- <010> = Averaged over 4 samples
- <011> = Averaged over 8 samples
- <100> to <111> are reserved

PECI Offsets:

- PECI0 Offset, 0x94
- PECI1 Offset, 0x95
- PECI2 Offset, 0x96
- PECI3 Offset, 0x97

Offset values can be assigned to each temperature channel by programming these registers. The value programmed should be in 2's complement format. The resolution is 1°C.

PECI Limits:

- PECI Low Limit, 0x34
- PECI High Limit, 0x35

These registers are used to set the allowable PECI temperature range. If the temperature is above the high limit or below the low limit then a status bit is set and pins configured as SMBALERT will assert. The high and low limit values are common to all PECI channels. The format depends on whether Absolute PECI mode is enabled. If it is then the limits are in unsigned format. If Absolute PECI mode is not enabled then the format is 2's complement.

PECI T_{CONTROL} Values:

- PECI0 T_{CONTROL}, 0x3D
- PECI1 T_{CONTROL}, 0x08
- PECI2 T_{CONTROL}, 0x09
- PECI3 T_{CONTROL}, 0x0A

These values set the fail-safe fan assertion temperature. The response of the fans is determined by the THERM configuration registers and is described in the 'THERM Assertion' section of this document. These values can be read from the CPU via the PECI interface or programmed directly by the user.

The format depends on whether Absolute PECI mode is enabled. If it is then the limit is in unsigned format. If Absolute PECI mode is not enabled then the format is 2's complement.

PECI T_{JMAX} Values:

- PECI0 T_{JMAX}, 0x0B
- PECI1 T_{JMAX}, 0x0C
- PECI2 T_{JMAX}, 0x0D
- PECI3 T_{JMAX}, 0x0E

Each CPU has a maximum junction temperature T_{JMAX}. These values for the populated CPUs are read via the PECI 3.0 interface by the NCT7491. They can also be over-written by the user. They are used to determine the absolute PECI temperature. These values are stored as unsigned data.

PECI Fan Control:

- PECI Tmin, 0x3B
- PECI Trange, 0x3C bits <7:4>
- PWM1 Source1, 0x8A bits <6:3>
- PWM2 Source1, 0x8D bits <6:3>
- PWM3 Source1, 0x90 bits <6:3>

Tmin sets the turn-on temperature for any fan that is controlled by a PECI temperature.

Trange sets the range over which the PWM output will increase from PWMmin to PWMmax.

The PECI Tmin and PECI Trange values are common to all PECI channels.

The PWMX Source registers are used to assign temperature control to a fan. The PECI assignment is done with bits <6:3> in those registers.

The user can choose to use the relative or absolute PECI temperature values for fan control. If Absolute PECI mode is used then the maximum valid Tmin value is 175°C.

For full details on the Fan Control implementation see the 'Fan Control' section of this document

PECI Status Bits:

- PECI0 limit error, 0x43 bit 0
- PECI1 limit error, 0x81 bit 3
- PECI2 limit error, 0x81 bit 4
- PECI3 limit error, 0x81 bit 5
- DATA error, 0x43 bit 1
- COMM error, 0x43 bit 2
- DATA type, 0x43 bits <6:4>
- PECI completion code, 0x81 bit 0
- PECI0 T_{CONTROL} exceeded, 0x89 bit 0
- PECI1 T_{CONTROL} exceeded, 0x89 bit 1
- PECI2 T_{CONTROL} exceeded, 0x89 bit 2
- PECI3 T_{CONTROL} exceeded, 0x89 bit 3

The Data Type field indicates the returned code if a DATA error is generated. Status bits in 0x43 and 0x81 can be masked by setting the corresponding mask bits in registers 0x82 and 0x83.

Generic PECI Command Block

- CPU Address, 0xD1
- Data Write Length, 0xD2
- Data Read Length, 0xD3
- Data Write Buffer, 0xD4 to 0xE0
- Data Read Buffer, 0xE1 to 0xE9
- Generic PECI Configuration, 0xEA

These registers define the generic PECI interface. An external master can populate these registers in order to execute any supported PECI 3.0 commands.

The byte definitions for this block are as follows:

CPU Address sets the target address of the PECI client that is to be accessed.

Data Write Length sets the number of bytes to be transferred to the PECI client. This byte should include the AW FCS byte in its count. The AW FCS byte is automatically calculated and appended by the NCT7491.

Data Read Length sets the number of bytes to be returned from the PECI client.

Data Write Buffer is a 13 byte buffer that holds the data to be transferred to the client. The first byte of this buffer is the command code that defines the command to be executed.

Data Read Buffer is a 9 byte buffer that will hold the data returned from the client.

The PECI Configuration 5 register (address 0xEA) enables the generic block and allows the command to be executed. The configuration bits are:

- AW, bit 1
- PEX, bit 2

Setting **AW** to 1 indicates that the transfer is an Assured Write transaction.

Setting **PEX** to 1 causes the NCT7491 to execute the command that has been set up in the generic command block. This bit will automatically clear when the transaction has completed.

If a communication error occurs when a Generic PECI command is sent then the GCOMM status bit is set. This bit can be masked.

- GCOMM, register 0x81 <2>
- GCOMM mask, register 0x83 <2>

SMBus Compatible Master Port

Thermal data is gathered from temperature monitoring devices attached to the SMBus Master port on the NCT7491. This port is used to automatically read temperature data from DIMM sensors, the PCH chipset sensor, graphics thermal sensors, or any thermal sensor with an SMBus interface. Up to 8 thermal slave devices are supported on the SMBus master port. The SMBus slave address for each device is user programmable. The register address of the thermal data within the slave device is also user programmable. This is assumed to be a 1-byte address so devices with a register address range of 0x00 to 0xFF are suitable. Each slave device has associated programmable configuration bits to indicate the protocol required to communicate over the SMBus and the temperature data format returned by the slave device. Status bits will indicate if any checksum errors arise from communicating with the slave devices.

The NCT7491 can be connected to the SMLINK1 port of the PCH to allow the PCH thermal data to be read. Data is automatically read from the PCH using the SMBus Block Read protocol. The device can be configured to read the DIMM temperature registers from the PCH.

The SMBus master and slave ports on the NCT7491 can be connected together if required.

Temperature readings returned from the thermal devices on the SMBus master port are available for use in the Automatic Fan Control algorithm.

The SMBus thermal devices have associated high and low temperature limit registers to allow out-of-limit conditions to be detected. If the SMBus Master interface is disabled then the SMBus master is internally connected to the slave interface, if the pins have not been assigned to GPIO

functions. Enabling the SMBus master port overrides any GPIO1/GPIO2 configuration settings.

SMBus Compatible Master Registers

The registers relating to the control of the SMBus compatible master interface are as follows:

Enabling the SMBus Master port:

- SMBus Master Enable, 0xB5 bit 0

Setting this bit configures pins 5 and 6 on the QSOP package, or pins 2 and 3 on the QFN package as the SMBus Master Port. It also enables the Thermal slave temperature monitoring loop which will gather data from the devices configured in the SMBus Master Addressing table.

When this bit is 0 and pins 5 and 6 on the QSOP package, or pins 2 and 3 on the QFN package are not configured as GPIOs then the SMBus slave port is internally connected to the SMBus master port. This allows the master connected to the NCT7491 to communicate directly with devices that are on the NCT7491 master port.

Temperature Addressing Table:

- Device0 Address, 0x98
- Device0 Pointer, 0x99
- Device1 Address, 0x9A
- Device1 Pointer, 0x9B
- Device2 Address, 0x9C
- Device2 Pointer, 0x9D
- Device3 Address, 0x9E
- Device3 Pointer, 0x9F
- Device4 Address, 0xA0
- Device4 Pointer, 0xA1
- Device5 Address, 0xA2
- Device5 Pointer, 0xA3
- Device6 Address, 0xA4
- Device6 Pointer, 0xA5
- Device7 Address, 0xA6
- Device7 Pointer, 0xA7

The DeviceX Address register sets the 7-bit (R/W bit not included) SMBus address of the thermal sensor.

The DeviceX Pointer register sets the register address of the temperature data in the thermal slave device.

Device0 can be used for SMBus Block Read commands. In that case the block read command code should be written to the Device0 Pointer register. If the NCT7491 Master port is connected to the SMLINK1 port of the Intel PCH then the PCH temperature (and possibly the DIMM temperatures) can be read from this port. In that case Device0 should be reserved for the PCH temperature and Device1 to Device 4 reserved for DIMM0 to DIMM3.

The NCT7491 will not attempt to read from a device that has a Device Address byte that is set to 0.

Temperature Values:

- Device0 (PCH), 0xA8
- Device1 (DIMM0), 0xA9
- Device2 (DIMM1), 0xAA
- Device3 (DIMM2), 0xAB
- Device4 (DIMM3), 0xAC
- Device5, 0xAD
- Device6, 0xAE
- Device7, 0xAF

The results of the readings from each of the thermal slave devices are stored here.

Thermal Slave Data Formats

It is necessary for the NCT7491 to be configured so that the data format for each SMBus client device is known, e.g. if the data is 2's Complement or unsigned data, or if a JEDEC standard SPD device is used so that the data can be correctly read from the device. Each SMBus device has a bit field to determine the data format for that device. The format selected for the device determines its behaviour for out-of-limit comparisons, THERM assertions and fan control operation. For Device0, if the format is set to PCH Block Read then the resulting data is stored as unsigned binary. The VR12 literal mode can be selected to allow temperature or power data be read from a VR12 controller via the PMBus.

Table 12. Device0 FORMATS

| 0xB2 <1:0> | Format |
|------------|--------------------|
| 00 | 2's Complement |
| 01 | JEDEC SPD standard |
| 10 | Unsigned binary |
| 11 | PCH block reads |

Table 13. Device1 FORMATS

| 0xB2 <3:2> | Format |
|------------|--------------------|
| 00 | 2's Complement |
| 01 | JEDEC SPD standard |
| 10 | Unsigned binary |
| 11 | reserved |

Table 14. Device2 FORMATS

| 0xB2 <5:4> | Format |
|------------|--------------------|
| 00 | 2's Complement |
| 01 | JEDEC SPD standard |
| 10 | Unsigned binary |
| 11 | reserved |

Table 15. Device3 FORMATS

| 0xB2 <7:6> | Format |
|------------|--------------------|
| 00 | 2's Complement |
| 01 | JEDEC SPD standard |
| 10 | Unsigned binary |
| 11 | reserved |

Table 16. Device4 FORMATS

| 0xB3 <1:0> | Format |
|------------|--------------------|
| 00 | 2's Complement |
| 01 | JEDEC SPD standard |
| 10 | Unsigned binary |
| 11 | reserved |

Table 17. Device5 FORMATS

| 0xB3 <3:2> | Format |
|------------|--------------------|
| 00 | 2's Complement |
| 01 | JEDEC SPD standard |
| 10 | Unsigned binary |
| 11 | VR12 Literal |

Table 18. Device6 FORMATS

| 0xB3 <5:4> | Format |
|------------|--------------------|
| 00 | 2's Complement |
| 01 | JEDEC SPD standard |
| 10 | Unsigned binary |
| 11 | VR12 Literal |

Table 19. Device7 FORMATS

| 0xB3 <7:6> | Format |
|------------|--------------------|
| 00 | 2's Complement |
| 01 | JEDEC SPD standard |
| 10 | Unsigned binary |
| 11 | VR12 Literal |

SMBus Master Update Rate

The interval between successive reads from an SMBus client device is determined by register 0xC7 bits <7:6>:

Table 20. SMBus UPDATE

| 0xC7 bits <7:6> | SMBus Update Rate |
|-----------------|-------------------|
| 00 | 250 ms |
| 01 | 500 ms |
| 10 | 750 ms |
| 11 | 1 sec |

Thermal Slave Limits:

- SMB Slave High Limit, 0xC1
- SMB Slave Low Limit, 0xC2

These registers are used to set the allowable Thermal slave temperature range. If the temperature is above the high limit or below the low limit then a status bit is set and pins configured as SMBALERT will assert. The high and low limit values are common to all SMBus Thermal slave readings. The low limit is programmed as a 2's Complement value. The high limit is programmed as an unsigned value. The difference between the two formats is necessary to cover the alternate formats available for the SMBus slave devices.

Thermal Slave THERM Value:

- SMBus THERM Limit, 0xC3

This value sets the fail-safe THERM assertion temperature. The response of the fans is determined by the THERM configuration registers and is described in the 'THERM Assertion' section of this document. This value is programmed as an 8-bit unsigned value.

Thermal Slave Fan Control:

- SMB Device Tmin, 0xC6
- SMB Device Trange, 0xC7 bits <3:0>
- PWM1 Source2, 0x8B
- PWM2 Source2, 0x8E
- PWM3 Source2, 0x91

Tmin sets the turn-on temperature for any fan that is controlled by a Thermal slave device. Trange sets the temperature range over which the PWM output will increase from PWMmin to PWMmax. The Tmin and Trange values apply to all Thermal slave devices. SMB Tmin is programmed as an 8-bit unsigned value. The maximum valid SMBus Tmin value is 175°C.

The PWMX Source registers are used to assign temperature control to a fan.

For full details on the Fan Control implementation see the 'Fan Control' section of this document.

SMBus Master Communication Settings

- Repeated Start Enable, 0xB0 bits <7:0>
- PEC Supported, 0xB1 bits <7:0>

The Repeated Start bits enable/disable the repeated start protocol for each device.

The PEC Supported bits can be set if an SMBus client device supports CRC-8 PEC. If this bit is set for a client device then the NCT7491 will read the PEC byte after the data and set the corresponding bit in the PEC status register (0xB7) if the PEC byte is incorrect.

DIMM Temperatures from PCH

- Read DIMM from PCH, 0xB5 bit 7

If this bit is set to 1 then the SMBus master port will read the DIMM registers from the SMLINK1 port of the PCH and store the results in registers 0xA9 to 0xAC. If it is 0 then it will read DIMM temperatures from SMBus slave devices.

DIMM Temperatures from Remote Sensors

- DIMM 0/1 from Remote1, 0xB5 bit 5
- DIMM 2/3 from Remote2, 0xB5 bit 6

If 0xB5 <5> is 1 then registers 0xA9 and 0xAA are overwritten by the Remote1 temperature reading.

If 0xB5 <6> is 1 then registers 0xAB and 0xAC are overwritten by the Remote2 temperature reading.

If bit 7 of 0xB5 (DIMM from PCH) is set then bits 5 and 6 have no effect.

Writing DIMM temperatures to the CPUs

The DIMM temperatures collected from SPD devices, from the PCH or from the analog thermal sensors can be automatically written to the CPU via PECE. To enable this function set the PWEN bit, register 0x37 <7>. The temperatures written will be the maximum DIMM temperature for each CPU.

DIMM CPU assignments:

- DIMM0 CPU, 0x0F bits <1:0>
- DIMM1 CPU, 0x0F bits <3:2>
- DIMM2 CPU, 0x0F bits <5:4>
- DIMM3 CPU, 0x0F bits <7:6>

These bits set the CPU associated with each DIMM. This information is necessary in order for the PECE loop to program the maximum DIMM temperature for each CPU.

Selecting DIMMs To Be Written

Each DIMM register can be enabled to be written to the CPU individually. This is done in register 0x87 bits <7:4>. If a DIMM is not populated then the corresponding bit in this register should be set to zero:

Setting 0x87 bit <4> to 1 includes DIMM0 in the PECE write

Setting 0x87 bit <5> to 1 includes DIMM1 in the PECE write

Setting 0x87 bit <6> to 1 includes DIMM2 in the PECE write

Setting 0x87 bit <7> to 1 includes DIMM3 in the PECE write

SMBus Thermal Slave Error Response

How the NCT7491 responds to errors on the SMBus master port can be configured in the following ways:

- SMBus Retry Interval, 0x10 bits <4:3>
- PWM1 Response, 0x11 bit 5
- PWM2 Response, 0x11 bit 6
- PWM3 Response, 0x11 bit 7

SMBus Retry Interval: If an error is encountered when communicating with a Thermal slave device then the NCT7491 will attempt to carry out the command up to 3 times. These bits set the interval between the retry attempts.

Table 21. SMBUS ERROR RETRY TIMES

| 0x10 bits <4:3> | SMBus Retry Interval |
|-----------------|----------------------|
| 00 | 1 ms |
| 01 | 2 ms |
| 10 | 4 ms |
| 11 | 8 ms |

If the device fails 3 consecutive read attempts then the PWMx Response bits determine the fan behaviour.

- If bit 5 of 0x11 is 1 then PWM1 will go to 100% duty or Max duty. If bit 5 is 0 then the error is ignored.
- If bit 6 of 0x11 is 1 then PWM2 will go to 100% duty or Max duty. If bit 6 is 0 then the error is ignored.
- If bit 7 of 0x11 is 1 then PWM3 will go to 100% duty or Max duty. If bit 7 is 0 then the error is ignored.

Whether the PWM outputs go to 100% or Max duty is determined by bits <4:2> of register 0x16. See the **THERM ASSERTION** section of this document for more details.

SMBus Master Status Registers

- Bad Block read byte count, 0x81 bit 6
- NACK bits, 0xB6 bits <7:0>
- PEC error bits, 0xB7 bits <7:0>
- SMBus Timeout bits, 0xB8 bits <7:0>
- High/Low Limit exceeded bits, 0xB9 bits <7:0>
- PCH Data Invalid, 0xBA bits <4:0>
- THERM Limit exceeded, 0xBB bits <7:0>

Bad Block Read Count will assert if the byte count returned by the block read command is insufficient to read the required temperatures.

NACK bits will assert if a device does not acknowledge its SMBus address.

PEC error bits will assert if the PEC byte is incorrect.

SMBus Timeout bits will assert if the bus is locked.

High/Low Limit bits will assert if the temperature returned is at or below the programmed low limit value.

PCH Data Invalid bits will assert if the PCH returns reserved temperature codes

THERM Limit bits will assert if the returned temperature is greater than the programmed THERM limit

The status bits ((except THERM status) will hold their value until the registers are read through the SMBus slave port. Status bits (except THERM status) can be masked by setting the corresponding bits in registers 0xBB to 0xBF. THERM Limit status bits will automatically clear when the temperature is below the SMBus THERM limit, unless THERM hysteresis is enabled (setting bit 0 of register 0x11) in which case the temperature must drop below THERM limit – Hysteresis.

Automatic Fan Control

There are two automatic fan control methods that can be selected in the NCT7491. Each PWM channel can be set to use the Tmin/Trange control method or to use an 8 point PWM Look-Up Table. In both cases one or more temperature channels can be assigned to control each PWM output.

Assigning Temperature Zones for Automatic Fan Control

These registers allow the temperature zone to be assigned to a PWM channel by setting the appropriate bit. Any combination of temperature zones can be assigned to control any fan. If more than one zone is selected then a PWM value

will be calculated for each temperature and the highest calculated PWM value will be output. If no temperature sources are selected then the associated PWM channel defaults to manual mode.

Registers for assigning zones to PWM1:

- Local/Remote1/Remote2 Control, 0x8A bits <2:0>
- PECI Control, 0x8A, bits <6:3>
- SMBus Thermal Slave Control, 0x8B bits <7:0>
- Push Temperature Control, 0x8C bits <3:0>

Registers for assigning zones to PWM2:

- Local/Remote1/Remote2 Control, 0x8D bits <2:0>
- PECI Control, 0x8D, bits <6:3>
- SMBus Thermal Slave Control, 0x8E bits <7:0>
- Push Temperature Control, 0x8F bits <3:0>

Registers for assigning zones to PWM3:

- Local/Remote1/Remote2 Control, 0x90 bits <2:0>
- PECI Control, 0x90, bits <6:3>
- SMBus Thermal Slave Control, 0x91 bits <7:0>
- Push Temperature Control, 0x92 bits <3:0>

For example if the user wants to control PWM1 from the hottest of the CPU temperature, PCH temperature and the Remote1 sensor then the Control Source registers would be programmed as:

- 0x8A <3> = 1 (PECI0)
- 0x8A <1> = 1 (Remote1)
- 0x8B <0> = 1 (SMBus Device 0, PCH)

Tmin/Trange Automatic Fan Control

The PWM channels can be put into Tmin/Trange in the following way:

- Setting bit <0> of register 0x10 to 0 puts PWM1 in Tmin/Trange mode
- Setting bit <1> of register 0x10 to 0 puts PWM2 in Tmin/Trange mode
- Setting bit <2> of register 0x10 to 0 puts PWM3 in Tmin/Trange mode

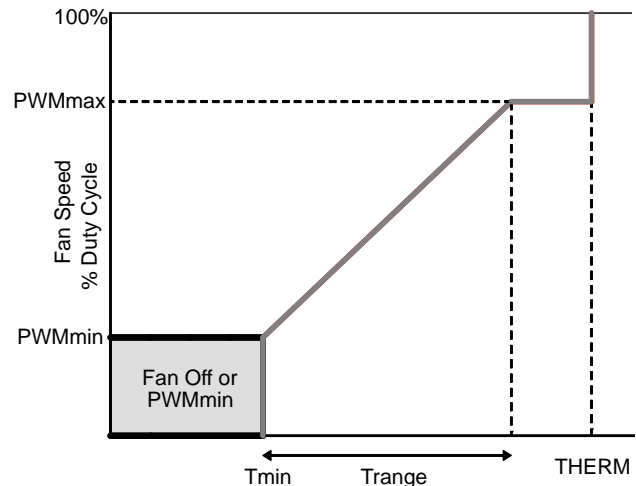


Figure 11. PWM Control Curve in Tmin/Trange Mode

The control loop behaviour in Tmin/Trange mode is determined by the Tmin, PWMmin, Trange and PWMmax values. Tmin sets the temperature at which the fan turns on and PWMmin is the PWM value at Tmin. Trange sets the temperature range over which the PWM output increases from PWMmin to PWMmax. These settings set the slope of the curve. Each temperature source has its own associated Tmin/Trange values. The THERM limit associated with the temperature channel can override the fan control curve if a THERM event occurs.

Minimum PWM values:

- PWM1 Minimum Duty, 0x64
- PWM2 Minimum Duty, 0x65
- PWM3 Minimum Duty, 0x66

These set the lowest PWM at which the fan will run. One Lsb equals 0.39% duty cycle. Minimum PWM values only apply in Tmin/Trange mode.

Maximum PWM values:

- PWM1 Maximum Duty, 0x38
- PWM2 Maximum Duty, 0x39
- PWM3 Maximum Duty, 0x3A

These set the maximum duty at which the fans will run. THERM assertions can be configured to over-ride this to allow the fans to go to 100% duty on a THERM event. See the **THERM ASSERTION** section for more details.

PWM duty cycle registers:

- PWM1 Duty, 0x30
- PWM2 Duty, 0x31
- PWM3 Duty, 0x32

The current duty cycle calculated by the control loop can be read in these registers. If the PWM channel is not associated with a temperature zone then that channel's duty cycle register will become writeable (manual mode).

Tmin/Trange values for all Temperature Sources:

- PECI Tmin, 0x3B
- PECI Trange, 0x3C bits <7:4>
- Remote1 Tmin, 0x67
- Remote1 Trange, 0x5F bits <7:4>
- Local Tmin, 0x68
- Local Trange, 0x60 bits <7:4>
- Remote2 Tmin, 0x69
- Remote2 Trange, 0x61 bits <7:4>
- SMBus slave Tmin, 0xC6
- SMBus slave Trange, 0xC7 bits <3:0>
- Push temperature Tmin, 0xCC
- Push temperature Trange, 0xCD bits <3:0>

PECI Tmin

PECI Tmin values must be programmed in the same format selected for PECI fan control (selected by bit 2 of register 0x73). If relative mode is selected then Tmin is programmed in 2's Complement format. If absolute mode is selected then Tmin is programmed as an unsigned value. If Absolute PECI mode is used then the maximum valid Tmin value is 175°C.

Analog Sensor Tmin

The Tmin value for the analog sensors (Remote1/Remote2/Local) must be written in the same format as the measurement registers, i.e. if they are in Offset 64 format then the Tmin value for these channels must also be written in Offset 64 format. If they are in 2's Complement format then Tmin must be written in the range 0°C to 127°C.

SMBus Tmin

The SMBus Tmin value should be programmed as an unsigned 8-bit value in the range 0°C to 175°C.

Push Tmin

The Push register Tmin value should be programmed as a value in the range 0°C to 127°C.

Tmin Hysteresis

Hysteresis can be applied to the Tmin temperature to prevent the fan from turning on and off rapidly around Tmin. Each temperature has its own hysteresis value that can be applied. The range of possible values is 0°C to 15°C.

Table 22. HYSTERESIS REGISTERS

| Temperature | Hystersis |
|----------------|---------------------|
| Remote1 | Register 0x6D <7:4> |
| Local | Register 0x6D <3:0> |
| Remote2 | Register 0x6E <7:4> |
| PECI | Register 0x6E <3:0> |
| SMBus slave | Register 0xB5 <4:1> |
| Push registers | Register 0xEB <3:0> |

PWM Behaviour below Tmin:

- PWM1 on below Tmin, 0x62 bit 5
- PWM2 on below Tmin, 0x62 bit 6
- PWM3 on below Tmin, 0x62 bit 7

Setting these bits to 1 will cause the associated PWM output to remain at the minimum PWM value rather than shut off when the control temperature is below its Tmin value minus hysteresis. This setting applies to both Tmin/Trange mode and to Look-Up Table mode.

Trange Values

The Trange values determine the temperature range over which the fan control curve will increase from the PWM minimum value to the PWM maximum value associated with the PWM output.

The 4-bit Trange values that can be assigned for each channel are shown in the following table:

Table 23. TRANGE OPTIONS

| Trange Bit Field | Trange Value |
|------------------|--------------|
| 0000 | 2°C |
| 0001 | 2.5°C |
| 0010 | 3.33°C |
| 0011 | 4°C |
| 0100 | 5°C |
| 0101 | 6.67°C |
| 0110 | 8°C |
| 0111 | 10°C |
| 1000 | 13.33°C |
| 1001 | 16°C |
| 1010 | 20°C |
| 1011 | 26.67°C |
| 1100 | 32°C |
| 1101 | 40°C |
| 1110 | 53.33°C |
| 1111 | 80°C |

Enabling Enhanced Acoustics on the PWM Outputs:

- PWM1 Max Ramp Rate, 0x62 bits <2:0>
- PWM1 enable acoustics, 0x62 bit 3
- PWM2 Max Ramp Rate, 0x63 bits <6:4>
- PWM2 enable acoustics, 0x63 bit 7
- PWM3 Max Ramp Rate, 0x63 bits <2:0>
- PWM3 enable acoustics, 0x63 bit 3

These settings allow the user to limit the rate at which the PWM output changes whenever the fan control loop calculates a new value. As this prevents instant changes in PWM the acoustic response of the system is improved. These settings apply to both Tmin/Trange mode and to Look-Up Table mode.

Table 24. ENHANCED ACOUSTICS TIMES

| Ramp Rate code | Settling time |
|----------------|---------------|
| 000 | 31.75 sec |
| 001 | 15.7 sec |
| 010 | 10.5 sec |
| 011 | 6.33 sec |
| 100 | 4 sec |
| 101 | 2.66 sec |
| 110 | 1.28 sec |
| 111 | 0.75 sec |

Setting the PWM Frequency

Each PWM output can be set to high frequency PWM mode or low frequency PWM mode. In high frequency mode the output will run at 22 kHz. In low frequency mode the frequency can be selected for each PWM output.

Setting bit <3> of register 0x5F to 1 enables high frequency for PWM1

Setting bit <3> of register 0x60 to 1 enables high frequency for PWM2

Setting bit <3> of register 0x61 to 1 enables high frequency for PWM3

If low frequency is enabled (if bit <3> in 0x5F, 0x60 or 0x61 is 0) then the frequency is set as follows:

Table 25. LOW FREQUENCY PWM SELECTION

| 0x5F, 0x60 or 0x61 bits <2:0> | Frequency |
|-------------------------------|-----------|
| 000 | 11.0 Hz |
| 001 | 14.7 Hz |
| 010 | 22.1 Hz |
| 011 | 29.4 Hz |
| 100 | 35.3 Hz |
| 101 | 44.1 Hz |
| 110 | 58.8 Hz |
| 111 | 88.2 Hz |

Look-Up Table Automatic Fan Control

In this mode the selected PWM output is controlled by an 8-point look-up table, where a temperature and PWM value is programmed for each point. Each channel has its own control table. Any combination of temperature sources can be assigned to control the PWM output. When more than one channel is assigned to control a PWM output in this mode the channel that is the hottest will control the output. The exception to this is if PECE relative temperatures are assigned to control a channel. Since PECE relative values are always negative they cannot be combined with other channels, since the other channels would always dominate due to the fact that they are positive values. To allow PECE readings to be combined with other readings the user can set bit 2 of register 0x73 (ABS/REL). This will cause the absolute PECE readings to be used for fan control, rather than the relative readings.

- If relative PECE readings are assigned for fan control then the control temperature values for that PWM channel must be programmed in negative 2's complement format (-128°C to 127°C).
- If any temperature source other than relative PECE is assigned for fan control (including absolute PECE readings) then the control temperatures for that PWM channel must be programmed in unsigned format (0°C to 255°C).

NCT7491

- PWM values are programmed in the range 0x00 to 0xFF. The resolution for this register is 1 lsb = 0.392%.
The NCT7491 linearly interpolates between the programmed points. It is not necessary to program all 8 points. If fewer than 8 points are required then the user should program from the lowest to the highest required control temperature and set the unused control temperatures to the maximum value (0x00 if relative PECE is assigned, 0xFF if the PWM channel is controlled by any other temperature source).
- Setting bit <0> of register 0x10 to 1 puts PWM1 in Look-up Table mode

- Setting bit <1> of register 0x10 to 1 puts PWM2 in Look-up Table mode
- Setting bit <2> of register 0x10 to 1 puts PWM3 in Look-up Table mode
The registers used for setting the control temperatures and PWMs for each channel are on page 2 of the register map. To access these registers the user must first set bit 0 of register 0xFF to 1. This will set the register page to page 2. When programming the table is complete the user should clear bit 0 of register 0xFF to zero to return to page 1 of the register map.

Table 26. PWM1 LOOK-UP TABLE VALUES

| PWM1 Control Points | Temperature Address | PWM Address |
|----------------------|---------------------|--------------|
| PWM1 Control Point 1 | 0x00 (0x100) | 0x01 (0x101) |
| PWM1 Control Point 2 | 0x02 (0x102) | 0x03 (0x103) |
| PWM1 Control Point 3 | 0x04 (0x104) | 0x05 (0x105) |
| PWM1 Control Point 4 | 0x06 (0x106) | 0x07 (0x107) |
| PWM1 Control Point 5 | 0x08 (0x108) | 0x09 (0x109) |
| PWM1 Control Point 6 | 0x0A (0x10A) | 0x0B (0x10B) |
| PWM1 Control Point 7 | 0x0C (0x10C) | 0x0D (0x10D) |
| PWM1 Control Point 8 | 0x0E (0x10E) | 0x0F (0x10F) |

Table 27. PWM2 LOOK-UP TABLE VALUES

| PWM2 Control Points | Temperature Address | PWM Address |
|----------------------|---------------------|--------------|
| PWM2 Control Point 1 | 0x10 (0x110) | 0x11 (0x111) |
| PWM2 Control Point 2 | 0x12 (0x112) | 0x13 (0x113) |
| PWM2 Control Point 3 | 0x14 (0x114) | 0x15 (0x115) |
| PWM2 Control Point 4 | 0x16 (0x116) | 0x17 (0x117) |
| PWM2 Control Point 5 | 0x18 (0x118) | 0x19 (0x119) |
| PWM2 Control Point 6 | 0x1A (0x11A) | 0x1B (0x11B) |
| PWM2 Control Point 7 | 0x1C (0x11C) | 0x1D (0x11D) |
| PWM2 Control Point 8 | 0x1E (0x11E) | 0x1F (0x11F) |

Table 28. PWM3 LOOK-UP TABLE VALUES

| PWM3 Control Points | Temperature Address | PWM Address |
|----------------------|---------------------|--------------|
| PWM3 Control Point 1 | 0x20 (0x120) | 0x21 (0x121) |
| PWM3 Control Point 2 | 0x22 (0x122) | 0x23 (0x123) |
| PWM3 Control Point 3 | 0x24 (0x124) | 0x25 (0x125) |
| PWM3 Control Point 4 | 0x26 (0x126) | 0x27 (0x127) |
| PWM3 Control Point 5 | 0x28 (0x128) | 0x29 (0x129) |
| PWM3 Control Point 6 | 0x2A (0x12A) | 0x2B (0x12B) |
| PWM3 Control Point 7 | 0x2C (0x12C) | 0x2D (0x12D) |
| PWM3 Control Point 8 | 0x2E (0x12E) | 0x2F (0x12F) |

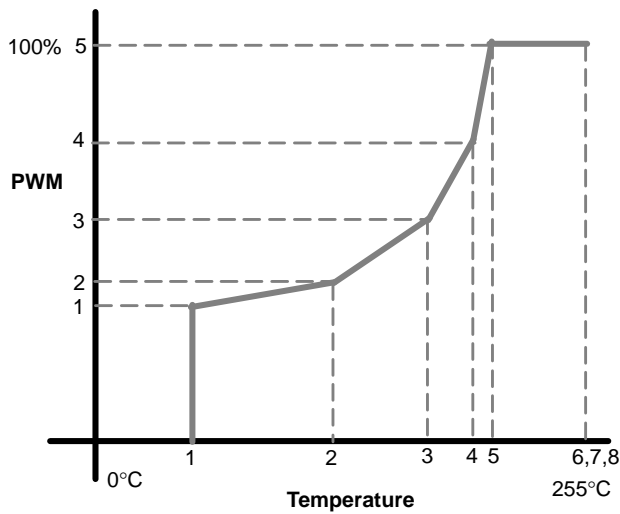


Figure 12.

Figure 12 shows a typical look-up table curve. The temperatures are programmed as unsigned data. In this example 5 of the 8 control points are used and the remaining 3 are set to the maximum value of 255°C. This curve applies if relative PECI values are not assigned to control the PWM channel.

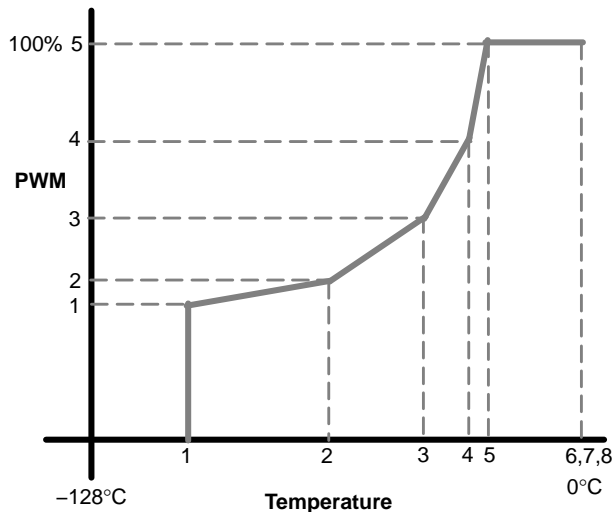


Figure 13.

Figure 13 shows a typical look-up table curve that applies when relative PECI values are assigned to control the PWM channel. The temperatures are programmed as negative 2's complement values. In this example 5 of the 8 control points are used and the remaining 3 are set to the maximum value of 0°C, as this is the maximum value for relative PECI values.

Fan Override Settings

There are bits in the NCT7491 that allow the PWM outputs to be overdriven so that the outputs go to maximum speed (as programmed in the maximum PWM registers), to go to full speed (100% duty) or to be shut off. These bits will override all other fan control settings.

- Setting bit 1 of register 0x11 to 1 runs the fans at the maximum programmed PWM duty cycle
- Setting bit 3 of register 0x40 to 1 runs the fans at 100% duty cycle. This bit has precedence over all others.
- Setting bit 0 of register 0x87 to 1 turns off PWM1
- Setting bit 1 of register 0x87 to 1 turns off PWM2
- Setting bit 2 of register 0x87 to 1 turns off PWM3

THERM Override

Setting bit 5 of register 0x40 will allow assertions on any pin configured as a THERM pin to drive the fans to 100% duty cycle or Max PWM, depending on bits <4:2> of register 0x16. This will override all other fan settings. This allows an external device to bypass the register settings of the NCT7491 for fail safe operation.

Fan Drive

The NCT7491 uses pulse width modulation (PWM) to control fan speed. This relies on varying the duty cycle (or on/off ratio) of a square wave applied to the fan to vary the fan speed. The external circuitry required to drive a fan using PWM control is extremely simple. For 4-wire fans, the PWM drive may need only a pullup resistor. In many cases the 4-wire fan PWM input has an internal pullup resistor. The NCT7491 PWM frequency can be set to a selection of low frequencies or a single high PWM frequency. The low frequency options are used for 3-wire fans, while the high frequency option is usually used with 4-wire fans. For 3-wire fans, a single N-channel MOSFET is the only drive device required. The specifications of the MOSFET depend on the maximum current required by the fan being driven and the input capacitance of the FET. Because a 10 k (or greater) resistor must be used as a PWM pullup, an FET with large input capacitance can cause the PWM output to become distorted and adversely affect the fan control range. This is a requirement only when using high frequency PWM mode. Typical notebook fans draw a nominal 170 mA, therefore, SOT devices can be used where board space is a concern. In desktops, fans typically draw 250 mA to 300 mA each. If several fans are driven in parallel from a single PWM output or drive larger server fans, the MOSFET must handle the higher current requirements. The only other stipulation is that the MOSFET should have a gate voltage drive, $V_{GS} < 3.3\text{ V}$, for direct interfacing to the PWM output pin.

NCT7491

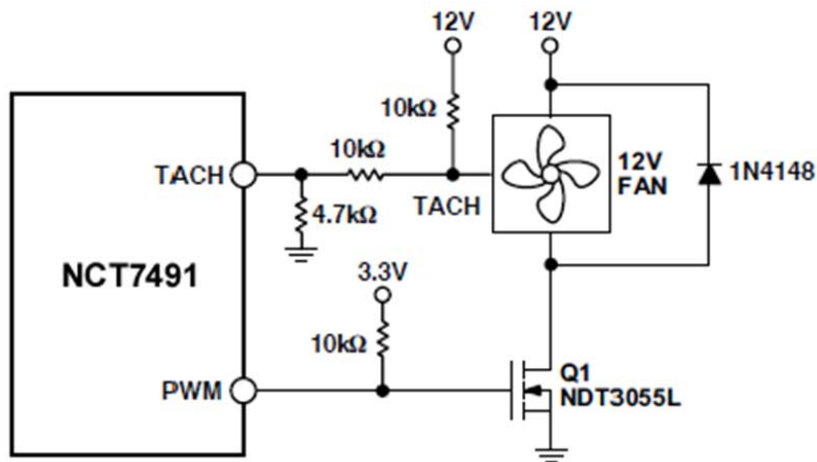


Figure 14. Driving a 3-Wire Fan Using an N-Channel MOSFET

Figure 14 uses a 10 k pullup resistor for the TACH signal. This assumes that the TACH signal is an open-collector from the fan. In all cases, the TACH signal from the fan must be kept below 3.6 V maximum to prevent damaging the NCT7491.

Figure 15 shows a fan drive circuit using an NPN transistor such as a general purpose MMBT2222. While

these devices are inexpensive, they tend to have much lower current handling capabilities and higher on resistance than MOSFETs. When choosing a transistor, care should be taken to ensure that it meets the fan's current requirements. Ensure that the base resistor is chosen so that the transistor is saturated when the fan is powered on.

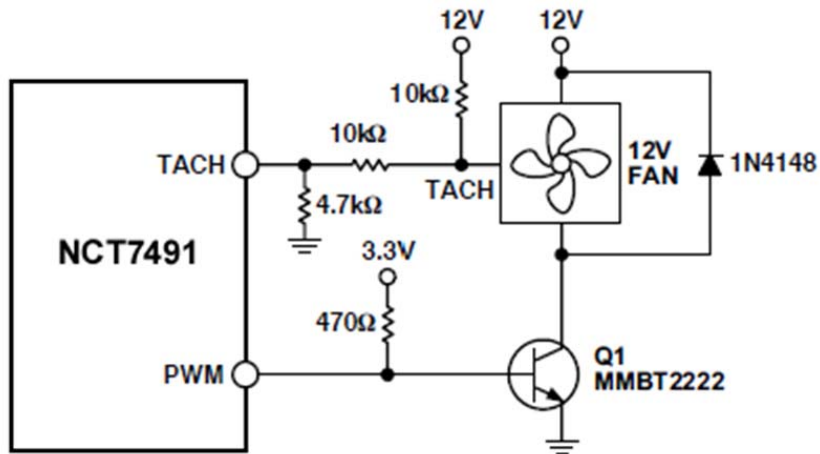


Figure 15. Driving a 3-Wire Fan Using an NPN Transistor

Because the fan drive circuitry in 4-wire fans is not switched on or off, as with previous PWM driven/powering fans, the internal drive circuit is always on and uses the PWM input as a signal instead of a power supply. This

enables the internal fan drive circuit to perform better than 3-wire fans, especially for high frequency applications. Figure 16 shows a typical drive circuit for 4-wire fans.

NCT7491

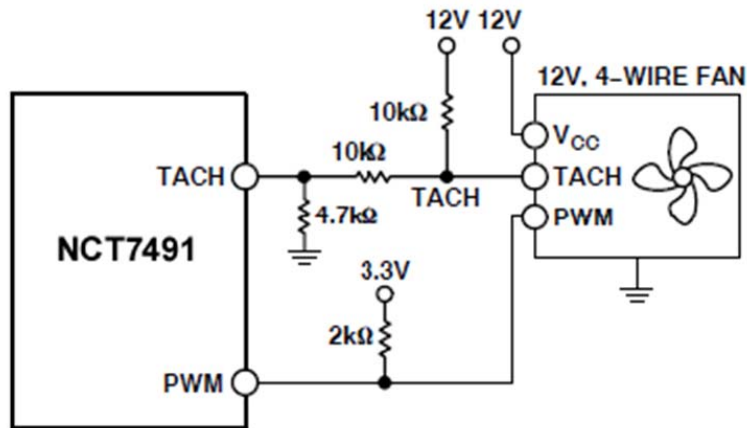


Figure 16. Driving a 4-Wire Fan

Driving Two Fans from PWM3

The NCT7491 has four TACH inputs available for fan speed measurement, but only three PWM drive outputs. If a fourth fan is being used in the system, it should be driven from the PWM3 output in parallel with the third fan. Figure 17 shows how to drive two fans in parallel using a MOSFET. Because the MOSFET can handle up to 3.5 A, it

is simply a matter of connecting another fan directly in parallel with the first. Care should be taken in designing drive circuits with transistors and FETs to ensure the PWM outputs are not required to source current, and that they sink less than the 5 mA maximum current specified in the data sheet.

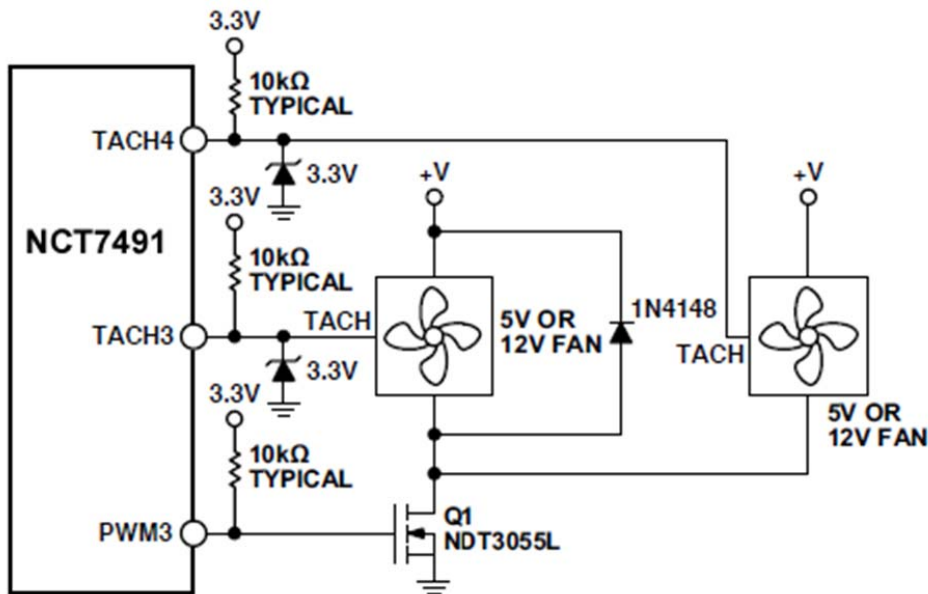


Figure 17. Interfacing Two Fans in Parallel to the PWM3 Output Using a Single N-Channel MOSFET

Driving up to Three Fans from PWM3

TACH measurements for fans are synchronized to particular PWM channels; for example, TACH1 is synchronized to PWM1. TACH3 and TACH4 are both synchronized to PWM3, so PWM3 can drive two fans. Alternatively, PWM3 can be programmed to synchronize TACH2, TACH3, and TACH4 to the PWM3 output. This allows PWM3 to drive two or three fans. In this case, the drive circuitry looks the same, as shown in Figure 17. The SYNC bit in Register 0x62 enables this function.

Synchronization is not required in high frequency mode when used with 4-wire fans.

Setting bit 4 of register 0x62 (SYNC) to 1 synchronizes TACH2, TACH3, and TACH4 to PWM3.

TACH Inputs

Pins 9, 11, 12 and 14 on the QSOP package or pins 6, 8, 9 and 11 on the QFN package (when configured as TACH inputs) are high impedance inputs intended for fan speed measurement. Signal conditioning in the NCT7491

NCT7491

accommodates the slow rise and fall times typical of fan tachometer outputs. The maximum input signal range is 0 V to 3.6 V, even though V_{CC} is 3.3 V. In the event that these inputs are supplied from fan outputs that exceed 0 V to 3.6 V, either resistive attenuation of the fan signal or diode

clamping must be included to keep inputs within an acceptable range. Figure 18 to Figure 20 show circuits for the most common fan TACH outputs. If the fan TACH output has a resistive pullup to V_{CC} , it can be connected directly to the fan input, as shown in Figure 18.

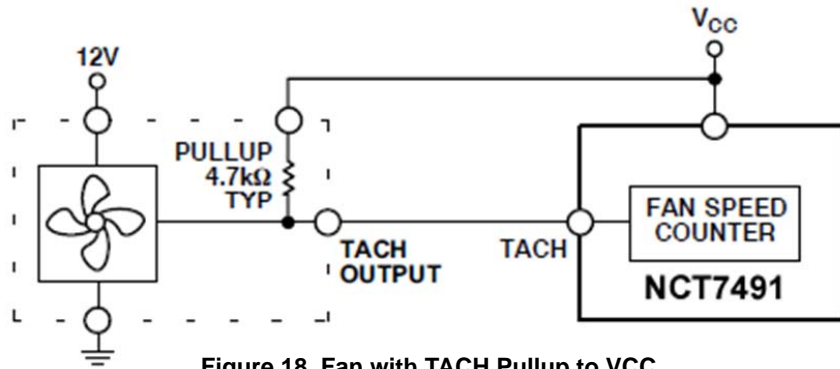


Figure 18. Fan with TACH Pullup to V_{CC}

If the fan output has a resistive pullup to 12 V, or other voltage greater than 3.6 V, the fan output can be clamped with a zener diode, as shown in Figure 19. The zener diode voltage should be chosen so that it is greater than V_{IH} of the

TACH input but less than 3.6 V, allowing for the voltage tolerance of the zener. A value of between 3.0 V and 3.6 V is suitable.

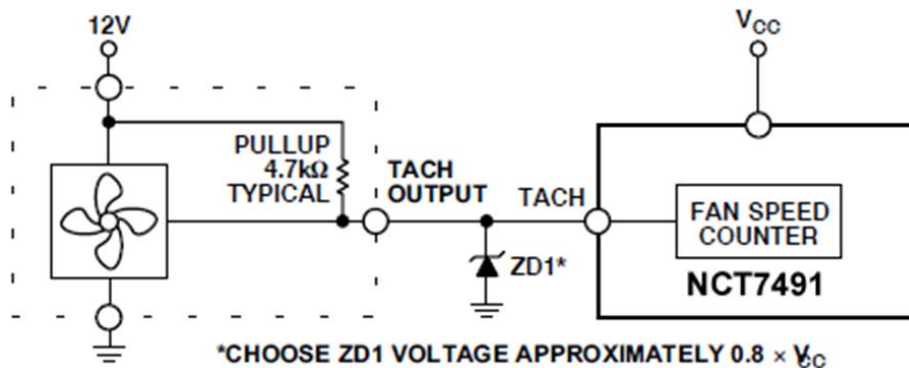


Figure 19. Fan with TACH Pullup to Voltage > 3.6 V, for Example, 12 V Clamped with Zener Diode

If the fan has a strong pullup (less than 1 k Ω) to 12 V or a totem-pole output, a series resistor can be added to limit the zener current, as shown in Figure 20.

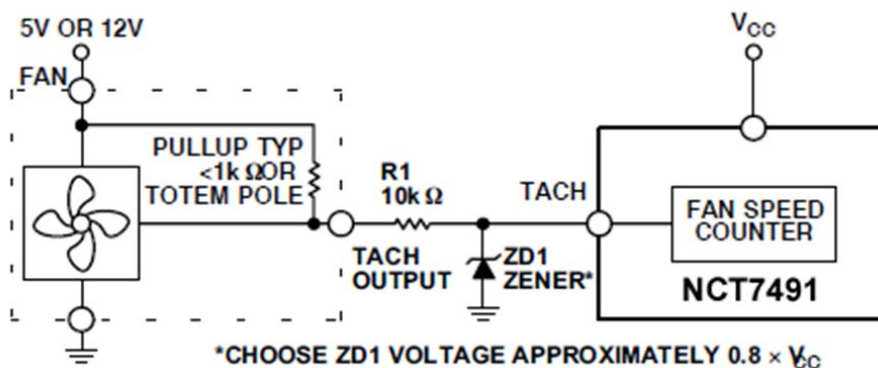


Figure 20. Fan with Strong TACH Pullup to $>V_{CC}$ or Totem-Pole Output, Clamped with Zener Diode and Resistor

TACH Measurement Overview

The fan counter does not count the fan TACH output pulses directly because the fan speed could be less than 1000 RPM, and it takes several seconds to accumulate a reasonably large and accurate count. Instead, the period of the fan revolution is measured by gating an on-chip 78 kHz oscillator into the input of a 16-bit counter for N periods of

the fan TACH output (see Figure 21) so the accumulated count is actually proportional to the fan tachometer period and inversely proportional to the fan speed. N, the number of pulses counted, is determined by the settings of the TACH pulses per revolution register (0x7B). This register contains two bits for each fan, allowing one, two (default), three, or four TACH pulses to be counted.

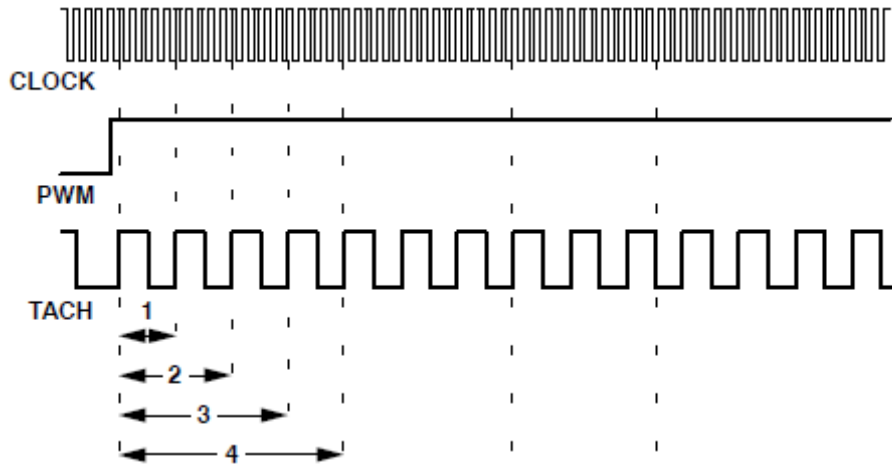


Figure 21. Fan Speed Measurement

Fan Speed Measurement Registers

The fan tachometer registers are 16-bit values consisting of a 2-byte read from the NCT7491.

- Register 0x28, TACH1 Low Byte
- Register 0x29, TACH1 High Byte
- Register 0x2A, TACH2 Low Byte
- Register 0x2B, TACH2 High Byte
- Register 0x2C, TACH3 Low Byte
- Register 0x2D, TACH3 High Byte
- Register 0x2E, TACH4 Low Byte
- Register 0x2F, TACH4 High Byte

Reading Fan Speed from the NCT7491

The measurement of fan speeds involves a 2-register read for each measurement. The low byte should be read first. This causes the high byte to be frozen until both high and low byte registers have been read, preventing erroneous TACH readings. The fan tachometer reading registers report back the number of 12.82 us period clocks (78 kHz oscillator) gated to the fan speed counter, from the rising edge of the first fan TACH pulse to the rising edge of the third fan TACH pulse (assuming two pulses per revolution are being counted). Because the device is essentially measuring the fan TACH period, the higher the count value, the slower the fan is actually running. A 16-bit fan tachometer reading of 0xFFFF indicates that either the fan has stalled or is running very slowly (<100 RPM).

Because the actual fan TACH period is being measured, falling below a fan TACH limit by 1 sets the appropriate status bit and can be used to generate an SMBALERT

Fan TACH Limit Registers

The fan TACH limit registers are 16-bit values consisting of two bytes.

- Register 0x54, TACH1 Minimum Low Byte = 0xFF default
- Register 0x55, TACH1 Minimum High Byte = 0xFF default
- Register 0x56, TACH2 Minimum Low Byte = 0xFF default
- Register 0x57, TACH2 Minimum High Byte = 0xFF default
- Register 0x58, TACH3 Minimum Low Byte = 0xFF default
- Register 0x59, TACH3 Minimum High Byte = 0xFF default
- Register 0x5A, TACH4 Minimum Low Byte = 0xFF default
- Register 0x5B, TACH4 Minimum High Byte = 0xFF default

Fan Speed Measurement Rate

The fan TACH readings are normally updated once every second. When set, the FAST bit (Bit 3) of Configuration Register 3 (0x78), updates the fan TACH readings every 250 ms.

DC Bits

If any of the fans are not being driven by a PWM channel but are powered directly from 5.0 V or 12 V, their associated dc bit in Configuration Register 3 (0x78) should be set. This

allows TACH readings to be taken on a continuous basis for fans connected directly to a dc source. For 4-wire fans, once high frequency mode is enabled, the dc bits do not need to be set because this is automatically done internally.

If any tach channels are not connected then the associated DC bit should be set for that fan.

Calculating Fan Speed From Register Values

Assuming a fan with a two pulses per revolution, and with the NCT7491 programmed to measure two pulses per revolution, fan speed is calculated by Fan Speed (RPM) = $(78,000 \times 60)/\text{Fan TACH Reading}$ where Fan TACH Reading is the 16-bit fan tachometer reading.

Example:

TACH1 High Byte (Register 0x29) = 0x17

TACH1 Low Byte (Register 0x28) = 0xFF

What is Fan 1 speed in RPM?

Fan 1 TACH Reading = 0x17FF = 6143 (decimal)

$\text{RPM} = (f \times 60)/\text{Fan 1 TACH Reading}$

$\text{RPM} = (78000 \times 60)/6143$

Fan Speed = 762 RPM

Fan Pulses per Revolution

Different fan models can output one, two, three, or four TACH pulses per revolution. Once the number of fan TACH pulses has been determined, it can be programmed into the TACH pulses per revolution register (0x7B) for each fan. Alternatively, this register can be used to determine the number of pulses per revolution output by a given fan. By plotting fan speed measurements at 100% speed with different pulses per revolution setting, the smoothest graph with the lowest ripple determines the correct pulses per revolution value.

TACH Pulses per Revolution Register 0x7B

- Bits [1:0], FAN1 default = 2 pulses per revolution
- Bits [3:2], FAN2 default = 2 pulses per revolution
- Bits [5:4], FAN3 default = 2 pulses per revolution
- Bits [7:6], FAN4 default = 2 pulses per revolution
- 00 = 1 pulse per revolution
- 01 = 2 pulses per revolution
- 10 = 3 pulses per revolution
- 11 = 4 pulses per revolution

Fan Spin-Up

The NCT7491 has a unique fan spin-up function. It spins the fan at 100% PWM duty cycle until two TACH pulses are detected on the TACH input. When two TACH pulses have been detected, the PWM duty cycle goes to the expected running value, for example, 33%. The advantage of this is that fans have different spin-up characteristics and take different times to overcome inertia. The NCT7491 runs the fans just fast enough to overcome inertia and is quieter on spin-up than fans programmed to spin up for a given spin-up time.

Fan Startup Timeout

To prevent the generation of false interrupts as a fan spins up, because the fan is below running speed, the NCT7491 includes a fan startup timeout function. During this time, the NCT7491 looks for two TACH pulses. If two TACH pulses are not detected, an interrupt is generated. Fan startup timeout can be disabled by setting Bit 3 (FSPDIS) of Configuration Register 7 (0x11).

THERM Assertion

Pins 14, 19 and 22 on the QSOP package, or pins 11, 16 and 19 on the QFN package can be configured as THERM I/O pins. These are open-drain active low pins used to signal that a critical temperature limit has been exceeded. If a temperature measurement exceeds its associated THERM limit (or Tcontrol limit for PECE) then the THERM pin will assert low. THERM assertion can be enabled or disabled for each thermal measurement channel. PWM outputs can be configured to respond to THERM assertions. By default THERM assertion will cause the PWM outputs to go to 100% duty cycle for fail safe cooling. This can be individually disabled for each PWM output. THERM assertion behavior can be modified so that the outputs do not immediately go to 100% when THERM asserts. If this function is enabled then an associated temperature step register is used to increase the PWM duty in steps. For example, if the step register is set to 4 degrees then the PWM output will go to PWMStep1 at the THERM limit, to PWMStep2 at THERM+4 and 100% at THERM+2x4, where PWMStep1 and PWMStep2 are programmable PWM levels.

THERM Pin Configuration

Configuring Pin 14 (QSOP), Pin 11 (QFN) as a THERM pin: Setting bits <1:0> of register 0x7D to <01> sets pin 14 on the QSOP package or pin 11 on the QFN package as a THERM pin.

Configuring Pin 19 (QSOP), Pin 16 (QFN) as a THERM pin: Setting bits <3:2> of register 0x7C to <01> sets pin 19 on the QSOP package or pin 16 on the QFN package as a THERM pin.

Configuring Pin 22 (QSOP), Pin 19 (QFN) as a THERM pin: Setting bit 1 of register 0x78 to 1 enables pin 22 on the QSOP package or pin 19 on the QFN package as a THERM pin.

THERM/Tcontrol Limit Registers

- Remote1 THERM Limit, 0x6A
- Local THERM Limit, 0x6B
- Remote2 THERM Limit, 0x6C
- PECE0 Tcontrol Limit, 0x3D
- PECE1 Tcontrol Limit, 0x08
- PECE2 Tcontrol Limit, 0x09
- PECE3 Tcontrol Limit, 0x0A
- SMBus Device THERM Limit, 0xC3 (applies to all SMBus devices)
- Push temperature THERM Limit, 0xD0 (applies to all Push channels)

If any temperature channel exceeds its associated THERM limit then a status bit will be set to indicate the condition. If that channel is enabled for pin assertions and a THERM pin has been configured then the pin will assert. If the temperature value goes below its THERM limit then the status bit will automatically clear and the pin will de-assert.

- If Offset64 mode is enabled then Remote1/Local/Remote2 THERM limits should be programmed in that format. Otherwise those limits should be programmed as 2's complement values.
- If PECE Absolute mode is enabled then PECE Tcontrol limits should be programmed as unsigned values, otherwise they should be programmed as 2's complement values.
- SMBus THERM limit should be programmed as an unsigned value.
- Push THERM limit should be programmed as a 2's complement value.

THERM Status Bits

- PECE Tcontrol status bits = 0x89 <3:0>
- Remote1 THERM status bit = 0x89 <4>
- Local THERM status bit = 0x89 <5>
- Remote2 THERM status bit = 0x89 <6>
- SMBus slave THERM status bits = 0xBB <7:0>
- Push THERM status bits = 0x7E <7:4>

Enabling THERM/Tcontrol Assertions for the Temperature Channels

- Set 0x7C bit 4 to 1 to enable PECE TCONTROL pin assertions
- Set 0x7C bit 5 to 1 to enable Remote1 THERM pin assertions,
- Set 0x7C bit 6 to 1 to enable Local THERM pin assertions,
- Set 0x7C bit 7 to 1 to enable Remote2 THERM pin assertions,
- Set 0x16 bit 5 to 1 to enable Push temperature THERM pin assertions,
- Set 0x16 bit 6 to 1 to enable SMBus slave THERM pin assertions

PECE TCONTROL enable bit applies to all PECE channels

Push temperature THERM enable applies to all Push channels

SMBus slave enable bit applies to all SMBus channels

The user should also ensure that the THERM Disable bit, 0x7D <2>, is 0. This is the THERM disable bit and when set to 1 will disable all THERM pin assertions.

Enabling the PWM Response to THERM Assertions

- PWM1 responds to THERM, 0x17 bit 0
- PWM2 responds to THERM, 0x17 bit 1
- PWM3 responds to THERM, 0x17 bit 2

If these bits are set to 1 then the associated PWM output will be affected by a THERM assertion. There are 3 possible responses: go to 100%, go to Maximum PWM or implement the THERM Stepping function.

Setting the PWM Level for THERM Events

- PWM1 Max/Full, 0x16, bit 2
- PWM2 Max/Full, 0x16, bit 3
- PWM3 Max/Full, 0x16, bit 4

If these bits are set to 1 then the fans will go to 100% on THERM assertion. If they are 0 then they will go to the Maximum PWM value.

These bits are ignored if the THERM stepping function is enabled.

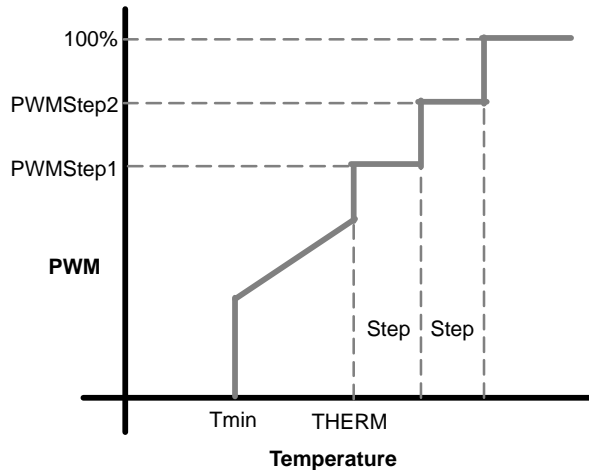


Figure 22. THERM Stepping Function

THERM Stepping Function

If the THERM Stepping function is enabled then the associated PWM output goes to PWMStep1 when the temperature is higher than THERM. The PWM output goes to PWMStep2 when the temperature is higher than THERM+Step and goes to 100% if the temperature reaches THERM+2xStep. THERM stepping does not apply to PWM channels in look-up table mode.

THERM Stepping is enabled by writing a value greater than 0°C to the THERM Step Size registers

Setting the THERM Step Size

- SMBus slave THERM Step, 0x18, bits <3:0>
- PECI THERM Step, 0x18 bits <7:4>
- Remote1/Local/Remote2 THERM Step, 0x19 bits <3:0>
- Push temperature THERM Step, 0x19 bits <7:4>

The range of temperature values that can be programmed for the Step size is 0 to 15°C. If set to 0 then the stepping function is disabled.

Setting the PWM Levels for THERM Stepping

- PWMStep1 Value, 0x14
- PWMStep2 Value, 0x15

PWMStep1 sets the PWM level that is output when a temperature exceeds its THERM limit (and Stepping is enabled). PWMStep2 sets the PWM level if the temperature exceeds THERM Limit + Step, where Step is the programmed step size for the temperature channel.

PWMStep1 and PWMStep2 are absolute PWM values and have a resolution of 1 lsb = 0.392%.

NOTE: If stepping is enabled for a temperature channel controlling a PWM output, then that PWM output will only respond to THERM events generated by its own temperature control sources and will not respond to THERM events from other temperature sources.

THERM Timer

The NCT7491 has an internal timer to measure THERM assertion time. For example, the THERM input can be connected to the PROCHOT output of a CPU to measure system performance. The THERM input can also be connected to the output of a trip point temperature sensor. The timer is started on the assertion of the NCT7491 THERM input and stopped when THERM is deasserted. The timer counts THERM times cumulatively, that is, the timer resumes counting on the next THERM assertion. The THERM timer continues to accumulate THERM assertion times until the timer is read (it is cleared on read), or until it reaches full scale. If the counter reaches full scale, it stops at that reading until cleared.

The 8-bit THERM timer value register (0x79) is designed so that Bit 0 is set to 1 on the first THERM assertion. Once the cumulative THERM assertion time has exceeded 45.52 ms, Bit 1 of the THERM timer is set and Bit 0 now becomes the LSB of the timer with a resolution of 22.76 ms (see Figure 23).

After a pin has been configured as a THERM pin the timer function can be enabled on the pin using bits <1:0> of register 0x16:

- <00> = Timer disabled
- <01> = Timer enabled on pin 14 (QSOP), pin 11 (QFN)
- <10> = Timer enabled on pin 19 (QSOP), pin 16 (QFN)
- <11> = Timer enabled on pin 22 (QSOP), pin 19 (QFN)

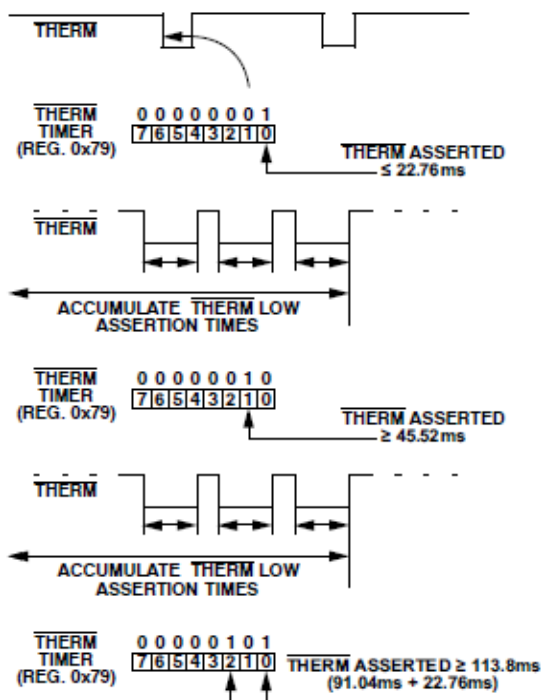


Figure 23. THERM Timer

THERM Timer Limit

The THERM Timer limit register can be used to assert an SMBALERT output when the timer measurement exceeds the programmed limit value. If the value N is programmed to the limit register then the limit time will be (N + 1) x 22.76 ms.

SMBALERT Functions

All of the measured temperatures, voltages and fan speeds have associated limit registers to detect when an out of limit condition occurs on any channel. Each of these channels has an associated status bit that can be read over the SMBus to determine the limit. There are also status bits to indicate the success or failure of various functions, such as the PECE interface or the SMBus Master Port interface. If a pin is configured as an SMBALERT pin then any of the status bits can assert the pin when they are set by the NCT7491. Most of the status bits can be masked, allowing the user to prevent assertion of the SMBALERT pins by functions that are not required in an application. Descriptions of the limit registers for each temperature, voltage or fan channel are described in their relevant sections of this document.

Enabling Pins as SMBALERT Pins

- Setting bit 0 of register 0x78 sets pin 10 on the QSOP package, or pin 7 on the QFN package as an SMBALERT pin.
- Setting bits <1:0> of register 0x7D to <10> sets pin 14 on the QSOP package or pin 11 on the QFN package as an SMBALERT pin.
- Setting bits <3:2> of register 0x7C to <00> sets pin 19 on the QSOP package or pin 16 on the QFN package as an SMBALERT pin.

NCT7491 Status Bits

When a status bit is set and the SMBALERT output asserts it may be necessary to read the status registers to determine the source of the assertion. To minimize the number of register reads required the NCT7491 uses Out Of Limit bits (OOL bits) to indicate in which registers an assertion has occurred.

By first reading Status OOL register address 0x12 it can be determined which other status registers are active. Once set, a status bit will remain set until the register that it is contained in is read over the SMBus interface, even if the fault that caused the assertion is no longer present.

OOL register 0x12 Definitions:

- Bit 0 of 0x12 = 1 indicates an assertion in register 0x41 (Analog temperature and Voltage limit errors)
- Bit 1 of 0x12 = 1 indicates an assertion in register 0x7E (Push register limit errors)
- Bit 2 of 0x12 = 1 indicates an assertion in register 0xB6 (SMBus Master NACK errors)
- Bit 3 of 0x12 = 1 indicates an assertion in register 0xB7 (SMBus Master PEC errors)
- Bit 4 of 0x12 = 1 indicates an assertion in register 0xB8 (SMBus Master Timeout errors)
- Bit 5 of 0x12 = 1 indicates an assertion in register 0xB9 (SMBus Master limit errors)
- Bit 6 of 0x12 = 1 indicates an assertion in register 0xBA (SMBus Master Data Invalid errors)
- Bit 7 of 0x12 = 1 indicates an assertion in register 0x89 (Tcontrol/THERM assertions). This bit relates to THERM function and does not affect the SMBALERT pins.

List of Status Registers

The complete list of status registers is given below along with their associated mask registers. The definitions for the status bits for each of the registers can be found in the register tables at the end of this document. OOL bits in any register do not require to be masked as they do not assert the SMBALERT pin.

Table 29. STATUS REGISTERS

| Status Bits | Status Register Address | Mask Register Address |
|---|-------------------------|-----------------------|
| Indicates status assertions in registers 0x41, 0x7E, 0xB6, 0xB7, 0xB8, 0xB9, 0xBA and 0xB9. | 0x12 | Not applicable |
| Voltage & Analog temperature out of limit bits. OOL bit for register 0x42. | 0x41 | 0x74 |
| Voltage, Fans, Diode Faults. OOL bit for register 0x43. | 0x42 | 0x75 |
| PECI0 out of limit, PECI COMM/DATA error, THERM assertion, DATA error code. OOL bit for register 0x81. | 0x43 | 0x82 |
| PECI completion code error, THERM timer error, Generic COMM error, PECI1–3 out of limit bits, PCH byte count error, V _{TT} out of limit bit. | 0x81 | 0x83 |
| Push register out of limit bits | 0x7E | 0x7F |
| SMBus Master NACK errors | 0xB6 | 0xBC |
| SMBus Master PEC errors | 0xB7 | 0xBD |
| SMBus Master Timeout errors | 0xB8 | 0xBE |
| SMBus Master out of limit bits | 0xB9 | 0xBF |
| SMBus Master Data Invalid errors | 0xBA | 0xC0 |

Voltage Monitoring

The NCT7491 has 5 external voltage measurement channels. It can also measure its own supply voltage, V_{CC}. The NCT7491 can measure 5 V, 12 V, and 2.5 V supplies, and the processor core voltage V_{CCP} (0 V to 3 V input). The 2.5 V input can be used to monitor a chipset supply voltage in computer systems. The V_{CC} supply voltage measurement is carried out through the V_{CC} pin. The PECE V_{TT} voltage is also measured and is the dedicated reference voltage for the PECE circuitry.

Analog-to-Digital Converter

All analog inputs are multiplexed into the on-chip, successive-approximation, analog-to-digital converter. This has a resolution of 10 bits. The basic input range is 0 V to 2 V, but the inputs have built-in attenuators to allow measurement of 2.5 V, 3.3 V, 5 V, 12 V, and the processor core voltage V_{CCP} without any external components. To allow the tolerance of these supply voltages, the ADC produces an output of 3/4 full scale (768 dec or 300 hex) for

the nominal input voltage, and so has adequate headroom to cope with overvoltages.

Voltage Input Circuitry

The internal structure for the analog inputs is shown in Figure 24. The input circuit consists of an input protection diode, an attenuator, plus a capacitor to form a first-order low-pass filter that gives input immunity to high frequency noise. The attenuators can be disabled for the voltage channels, except for the V_{CC} channel.

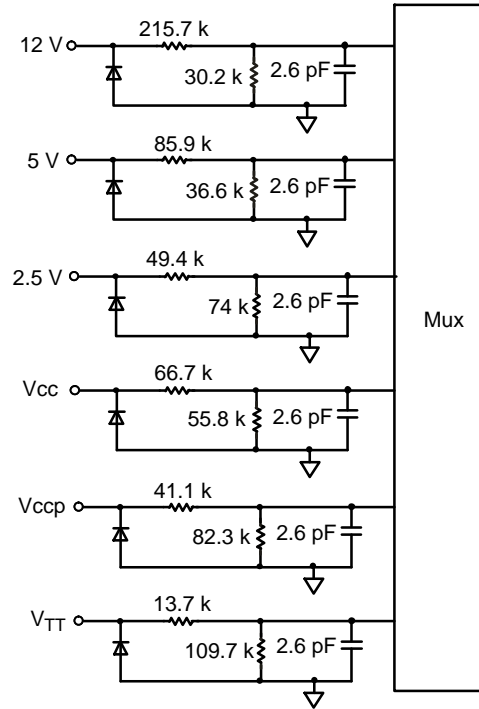


Figure 24. Voltage Input Structures

Voltage Measurement Registers

- Reg. 0x1E, V_{TT} Reading = 0x00 default
- Reg. 0x20, 2.5 V Reading = 0x00 default
- Reg. 0x21, V_{CCP} Reading = 0x00 default
- Reg. 0x22, V_{CC} Reading = 0x00 default
- Reg. 0x23, 5 V Reading = 0x00 default
- Reg. 0x24, 12 V Reading = 0x00 default

Extended Resolution Registers

Voltage measurements can be made with higher accuracy using the extended resolution registers (0x1F, 0x76 and 0x77). Whenever the extended resolution registers are read, the corresponding data in the voltage measurement registers (0x1E, 0x20 to 0x24) is locked until their data is read. That is, if extended resolution is required, the extended resolution register must be read first immediately followed by the appropriate voltage measurement register.

Voltage Measurement Selection

The user can select which voltage channels to include in the monitoring loop. By only including the channels that are required the loop monitoring time can be reduced.

- Setting <2> of register 0x11 includes the V_{TT} channel in the monitoring loop.
- Setting <3> of register 0x13 includes the 12V channel in the monitoring loop.
- Setting <4> of register 0x13 includes the 5 V channel in the monitoring loop.
- Setting <5> of register 0x13 includes the V_{CCP} channel in the monitoring loop.
- Setting <6> of register 0x13 includes the 2.5 V channel in the monitoring loop.
- Setting <7> of register 0x13 includes the V_{CC} channel in the monitoring loop.

Voltage Measurement Resolution

The NCT7491 uses a reference voltage of 2 V. The ADC is 10-bit giving a resolution of 1.953 mV per lsb. This is the resolution that applies when the attenuators are disabled. With attenuators enabled the resolution for each channel is as follows:

- 12 V resolution = 15.92 mV per lsb
- 5 V resolution = 6.54 mV per lsb
- 2.5 V resolution = 3.26 mV per lsb
- V_{CCP} resolution = 2.93 mV per lsb
- V_{CC} resolution = 4.29 mV per lsb
- V_{TT} resolution = 2.2 mV per lsb

Voltage Limit Registers

Associated with each voltage measurement channel is a high and low limit register. Exceeding the programmed high or low limit causes the appropriate status bit to be set. Exceeding either limit can also generate SMBALERT interrupts.

- Reg. 0x84, V_{TT} Low Limit
- Reg. 0x86, V_{TT} High Limit
- Reg. 0x44, 2.5 V Low Limit
- Reg. 0x45, 2.5 V High Limit
- Reg. 0x46, V_{CCP} Low Limit
- Reg. 0x47, V_{CCP} High Limit
- Reg. 0x48, V_{CC} Low Limit
- Reg. 0x49, V_{CC} High Limit
- Reg. 0x4A, 5 V Low Limit
- Reg. 0x4B, 5 V High Limit
- Reg. 0x4C, 12 V Low Limit
- Reg. 0x4D, 12 V High Limit

Additional ADC Functions for Voltage Measurements

A number of other functions are available on the NCT7491 to offer the system designer increased flexibility. The functions described below are enabled by setting the appropriate bit in configuration register 2 (0x73).

Turn-Off Voltage Averaging

The averager length that is applied to the temperature readings is also applied to the voltage readings. The averager length is programmable as 4, 8, 16 or 32 samples. These values can be selected in register 0x40 bits <7:6>.

When faster conversions are needed, setting Bit 3 of Configuration Register 2 (Reg. 0x73) turns voltage averaging off. This gives a faster reading, but the reading can be noisier. The default round-robin cycle time takes **TBD** ms.

Bypass Individual Voltage Input Attenuators

Bits <7:3> of Configuration Register 4 (0x7D) can be used to bypass individual voltage channel attenuators.

Table 30. BYPASSING VOLTAGE ATTENUATORS

| Configuration Register 4 (0x7D) | |
|---------------------------------|-----------------------------|
| Bit | Channel Attenuated |
| 3 | Bypass V_{TT} attenuator |
| 4 | Bypass 2.5 V attenuator |
| 5 | Bypass V_{CCP} attenuator |
| 6 | Bypass 5 V attenuator |
| 7 | Bypass 12 V attenuator |

The input range of the ADC without the attenuators is 0 V to 2 V.

GPIO Functions

There are up to 3 pins that can be configured as open-drain general purpose digital I/O pins. These are pins 5 (GPIO1), 6 (GPIO2) and 19 (GPIO3) on the QSOP package and pins 2 (GPIO1), 3 (GPIO2) and 16 (GPIO3) on the QFN package. GPIO1 and GPIO2 are shared with the SMBus Master Port pins SCL_M and SDA_M. GPIO3 is shared with THERM and SMBALERT functions.

There are 2 bits that must be programmed to enable the GPIO1 and GPIO2 functions:

- Setting bit 1 of register 0x80 to 1 enables GPIO1 and GPIO2
- Clearing bit 0 of register 0xB5 to 0 disables the SMBus Master Port. This bit has priority over the GPIO enable bit so must be cleared for GPIOs to function.

GPIO3 is enabled by setting bits <3:2> of register 0x7C to <10>.

Each GPIO pin has associated direction, polarity and data bits.

GPIO1

- Bit 7 of register 0x80 sets GPIO1 direction. 1=Input, 0=Output
- Bit 5 of register 0x80 sets GPIO1 polarity. 1=active high, 0=active low
- Bit 3 of register 0x80 is GPIO1 data. If GPIO1 is an input this bit shows the pin state. If it is an output then this bit sets the output state.

GPIO2

- Bit 6 of register 0x80 sets GPIO2 direction. 1=Input, 0=Output
- Bit 4 of register 0x80 sets GPIO2 polarity. 1=active high, 0=active low
- Bit 2 of register 0x80 is GPIO2 data. If GPIO2 is an input this bit shows the pin state. If it is an output then this bit sets the output state.

GPIO3

- Bit 7 of register 0x85 sets GPIO3 direction. 1=Input, 0=Output
- Bit 6 of register 0x85 sets GPIO3 polarity. 1=active high, 0=active low
- Bit 5 of register 0x85 is GPIO3 data. If GPIO3 is an input this bit shows the pin state. If it is an output then this bit sets the output state.

When writing to a GPIO pin that is configured as an output the polarity must be taken into account. For example, if the pin is set as active low then writing a 1 to the data bit will pull the GPIO pin low.

When GPIOs are configured as inputs the data bit always shows the actual pin state.

VCCP Low Detection

If the processor core voltage is being monitored on the Vccp channel and the NCT7491 is run from the auxiliary rail, then the user can enable a function to suspend various functions in the NCT7491 when the core voltage falls below a programmable threshold.

Setting bit 6 of register 0x10 enables the Vccp Low function. In this mode, if the Vccp voltage falls below the value in the Vccp Low Limit register (0x46) then the Vccp status bit is set, the THERM timer function is disabled, PECE errors are cleared, SMBus Master errors are cleared and all PWM outputs shut down. When the Vccp voltage increases above the Vccp Low Limit then any of the above functions that were previously enabled will become active again.

XNOR Tree Test Mode

The NCT7491 includes an XNOR tree test mode. This mode is useful for in-circuit test equipment at board-level testing. By applying stimulus to the pins included in the XNOR tree, it is possible to detect opens, or shorts, on the system board.

The XNOR tree test is invoked by setting Bit 0 (XEN) of the XNOR Tree Test Enable register (Register 0x6F). Figure 25 shows the signals that are exercised in the XNOR tree test mode.

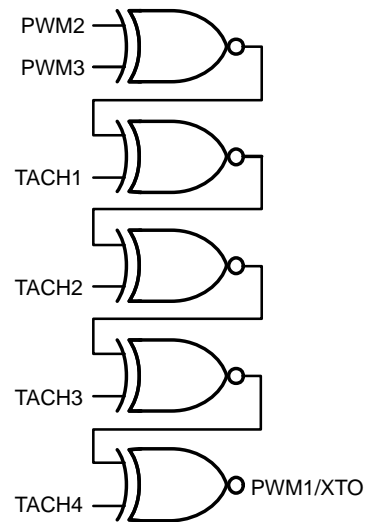


Figure 25. XNOR Tree Test

NCT7491

Table 31. REGISTER TABLES

| Address | R/W | Description | Bit 7 | Bit 6 | Bit 5 | Bit 4 | Bit 3 | Bit 2 | Bit 1 | Bit 0 |
|---------|-----|------------------------------|---------|----------------------|-----------------|-----------------|------------|------------|-----------|-----------|
| 0x00 | R/W | PECI0 Address | 7 | 6 | 5 | 4 | 3 | 2 | 1 | 0 |
| 0x01 | R/W | PECI1 Address | 7 | 6 | 5 | 4 | 3 | 2 | 1 | 0 |
| 0x02 | R/W | PECI2 Address | 7 | 6 | 5 | 4 | 3 | 2 | 1 | 0 |
| 0x03 | R/W | PECI3 Address | 7 | 6 | 5 | 4 | 3 | 2 | 1 | 0 |
| 0x04 | R | PECI0_Abs | 7 | 6 | 5 | 4 | 3 | 2 | 1 | 0 |
| 0x05 | R | PECI1_Abs | 7 | 6 | 5 | 4 | 3 | 2 | 1 | 0 |
| 0x06 | R | PECI2_Abs | 7 | 6 | 5 | 4 | 3 | 2 | 1 | 0 |
| 0x07 | R | PECI3_Abs | 7 | 6 | 5 | 4 | 3 | 2 | 1 | 0 |
| 0x08 | R/W | PECI1 Tcontrol | 7 | 6 | 5 | 4 | 3 | 2 | 1 | 0 |
| 0x09 | R/W | PECI2 Tcontrol | 7 | 6 | 5 | 4 | 3 | 2 | 1 | 0 |
| 0x0A | R/W | PECI3 Tcontrol | 7 | 6 | 5 | 4 | 3 | 2 | 1 | 0 |
| 0x0B | R | PECI0 Tjmax | 7 | 6 | 5 | 4 | 3 | 2 | 1 | 0 |
| 0x0C | R | PECI1 Tjmax | 7 | 6 | 5 | 4 | 3 | 2 | 1 | 0 |
| 0x0D | R | PECI2 Tjmax | 7 | 6 | 5 | 4 | 3 | 2 | 1 | 0 |
| 0x0E | R | PECI3 Tjmax | 7 | 6 | 5 | 4 | 3 | 2 | 1 | 0 |
| 0x0F | R/W | PECI Config 4 | DM3CPU | DM3CPU | DM2CPU | DM2CPU | DM1CPU | DM1CPU | DM0CPU | DM0CPU |
| 0x10 | R/W | Config. 6 | | V _{CCP} Low | IFT | SMBRT1 | SMBRT0 | PWM3 Mode | PWM2 Mode | PWM1 Mode |
| 0x11 | R/W | Config. 7 | SMBFS3 | SMBFS2 | SMBFS1 | TODIS | FSPDIS | VTT | FSPD | THERMHys |
| 0x12 | R | Interrupt Status 6 | OOL10 | OOL9 | OOL8 | OOL7 | OOL6 | OOL5 | OOL4 | OOL0 |
| 0x13 | | Config. 8 | Vcc | 2.5V | Vccp | 5V | 12V | Rem2 | Rem1 | Local |
| 0x14 | R/W | PWMStep1 | 7 | 6 | 5 | 4 | 3 | 2 | 1 | 0 |
| 0x15 | R/W | PWMStep2 | 7 | 6 | 5 | 4 | 3 | 2 | 1 | 0 |
| 0x16 | R/W | THERM Config1 | | SMBus THERM | Push THERM | Max/Full 3 | Max/Full 2 | Max/Full 1 | TMRP1 | TMRP0 |
| 0x17 | R/W | THERM Config2 | | | | | | P3TH | P2TH | P1TH |
| 0x18 | R/W | THERM Config3 | PECSTEP | PECSTEP | PECSTEP | PECSTEP | SMBSTEP | SMBSTEP | SMBSTEP | SMBSTEP |
| 0x19 | R/W | THERM Config4 | PSHSTEP | PSHSTEP | PSHSTEP | PSHSTEP | SNRSTEP | SNRSTEP | SNRSTEP | SNRSTEP |
| 0x1A | R | PECI1 | 7 | 6 | 5 | 4 | 3 | 2 | 1 | 0 |
| 0x1B | R | PECI2 | 7 | 6 | 5 | 4 | 3 | 2 | 1 | 0 |
| 0x1C | R | PECI3 | 7 | 6 | 5 | 4 | 3 | 2 | 1 | 0 |
| 0x1D | R | Device ID | 7 | 6 | 5 | 4 | 3 | 2 | 1 | 0 |
| 0x1E | R | V _{tt} measurement | 9 | 8 | 7 | 6 | 5 | 4 | 3 | 2 |
| 0x1F | R | Extended resolution 3 | | | V _{tt} | V _{tt} | | | | |
| 0x20 | R | 2.5 V Measurement | 9 | 8 | 7 | 6 | 5 | 4 | 3 | 2 |
| 0x21 | R | V _{CCP} Measurement | 9 | 8 | 7 | 6 | 5 | 4 | 3 | 2 |
| 0x22 | R | V _{CC} Measurement | 9 | 8 | 7 | 6 | 5 | 4 | 3 | 2 |
| 0x23 | R | 5 V Measurement | 9 | 8 | 7 | 6 | 5 | 4 | 3 | 2 |
| 0x24 | R | 12 V Measurement | 9 | 8 | 7 | 6 | 5 | 4 | 3 | 2 |
| 0x25 | R | Remote 1 Temperature | 9 | 8 | 7 | 6 | 5 | 4 | 3 | 2 |
| 0x26 | R | Local Temperature | 9 | 8 | 7 | 6 | 5 | 4 | 3 | 2 |
| 0x27 | R | Remote 2 Temperature | 9 | 8 | 7 | 6 | 5 | 4 | 3 | 2 |
| 0x28 | R | TACH 1 Low Byte | 7 | 6 | 5 | 4 | 3 | 2 | 1 | 0 |
| 0x29 | R | TACH 1 High Byte | 15 | 14 | 13 | 12 | 11 | 10 | 9 | 8 |
| 0x2A | R | TACH 2 Low Byte | 7 | 6 | 5 | 4 | 3 | 2 | 1 | 0 |
| 0x2B | R | TACH 2 High Byte | 15 | 14 | 13 | 12 | 11 | 10 | 9 | 8 |

NCT7491

Table 31. REGISTER TABLES

| Address | R/W | Description | Bit 7 | Bit 6 | Bit 5 | Bit 4 | Bit 3 | Bit 2 | Bit 1 | Bit 0 |
|---------|-----|-------------------------------|-------------|-------------|-------------------|-----------------|---------------------------------|-----------------|------------------|-------|
| 0x2C | R | TACH 3 Low Byte | 7 | 6 | 5 | 4 | 3 | 2 | 1 | 0 |
| 0x2D | R | TACH 3 High Byte | 15 | 14 | 13 | 12 | 11 | 10 | 9 | 8 |
| 0x2E | R | TACH 4 Low Byte | 7 | 6 | 5 | 4 | 3 | 2 | 1 | 0 |
| 0x2F | R | TACH 4 High Byte | 15 | 14 | 13 | 12 | 11 | 10 | 9 | 8 |
| 0x30 | R/W | PWM1 Current Duty Cycle | 7 | 6 | 5 | 4 | 3 | 2 | 1 | 0 |
| 0x31 | R/W | PWM2 Current Duty Cycle | 7 | 6 | 5 | 4 | 3 | 2 | 1 | 0 |
| 0x32 | R/W | PWM3 Current Duty Cycle | 7 | 6 | 5 | 4 | 3 | 2 | 1 | 0 |
| 0x33 | R | PECI0 | 7 | 6 | 5 | 4 | 3 | 2 | 1 | 0 |
| 0x34 | R/W | PECI Low Limit | 7 | 6 | 5 | 4 | 3 | 2 | 1 | 0 |
| 0x35 | R/W | PECI High Limit | 7 | 6 | 5 | 4 | 3 | 2 | 1 | 0 |
| 0x36 | R/W | PECI configuration Register 1 | | | | | DOM0 | AVG2 | AVG1 | AVG0 |
| 0x37 | R/W | PECI Config 3 | PWEN | | Rate1 | Rate0 | | | RTYDIS | PDET |
| 0x38 | R/W | Max PWM 1 Duty Cycle | 7 | 6 | 5 | 4 | 3 | 2 | 1 | 0 |
| 0x39 | R/W | Max PWM 2 Duty Cycle | 7 | 6 | 5 | 4 | 3 | 2 | 1 | 0 |
| 0x3A | R/W | Max PWM 3 Duty Cycle | 7 | 6 | 5 | 4 | 3 | 2 | 1 | 0 |
| 0x3B | R/W | PECI T _{MIN} | 7 | 6 | 5 | 4 | 3 | 2 | 1 | 0 |
| 0x3C | R/W | PECI T _{RANGE} | RANGE | RANGE | RANGE | RANGE | | | | |
| 0x3D | R/W | PECI0 T _{CONTROL} | 7 | 6 | 5 | 4 | 3 | 2 | 1 | 0 |
| 0x3E | R | Company ID Number | 7 | 6 | 5 | 4 | 3 | 2 | 1 | 0 |
| 0x3F | R | Version/Revision | Ver3 | Ver2 | Ver1 | Ver0 | 4-wire | PECI | REV1 | REV0 |
| 0x40 | R/W | Configuration 1 | AVELN1 | AVELN0 | THERM Override | PECI Monitor | Fan Boost | RDY | LOCK | STRT |
| 0x41 | R | Interrupt Status 1 | OOL | R2T | LT | R1T | 5 V | V _{CC} | V _{CCP} | 2.5 V |
| 0x42 | R | Interrupt Status 2 | D2 FAULT | D1 FAULT | FAN4 | FAN3 | FAN2 | FAN1 | OOL | 12 V |
| 0x43 | R | Interrupt Status 3 | OOL3 | DAT2 | DAT1 | DAT0 | OVT (THERM Temp Limit) | COMM | DATA | PECI0 |
| 0x44 | R/W | 2.5 V Low Limit | 7 | 6 | 5 | 4 | 3 | 2 | 1 | 0 |
| 0x45 | R/W | 2.5 V High Limit | 7 | 6 | 5 | 4 | 3 | 2 | 1 | 0 |
| 0x46 | R/W | V _{CCP} Low Limit | 7 | 6 | 5 | 4 | 3 | 2 | 1 | 0 |
| 0x47 | R/W | V _{CCP} High Limit | 7 | 6 | 5 | 4 | 3 | 2 | 1 | 0 |
| 0x48 | R/W | V _{CC} Low Limit | 7 | 6 | 5 | 4 | 3 | 2 | 1 | 0 |
| 0x49 | R/W | V _{CC} High Limit | 7 | 6 | 5 | 4 | 3 | 2 | 1 | 0 |
| 0x4A | R/W | 5 V Low Limit | 7 | 6 | 5 | 4 | 3 | 2 | 1 | 0 |
| 0x4B | R/W | 5 V High Limit | 7 | 6 | 5 | 4 | 3 | 2 | 1 | 0 |
| 0x4C | R/W | 12 V Low Limit | 7 | 6 | 5 | 4 | 3 | 2 | 1 | 0 |
| 0x4D | R/W | 12 V High Limit | 7 | 6 | 5 | 4 | 3 | 2 | 1 | 0 |
| 0x4E | R/W | Remote 1 Temp Low Limit | 7 | 6 | 5 | 4 | 3 | 2 | 1 | 0 |
| 0x4F | R/W | Remote 1 Temp High Limit | 7 | 6 | 5 | 4 | 3 | 2 | 1 | 0 |
| 0x50 | R/W | Local Temp Low Limit | 7 | 6 | 5 | 4 | 3 | 2 | 1 | 0 |
| 0x51 | R/W | Local Temp High Limit | 7 | 6 | 5 | 4 | 3 | 2 | 1 | 0 |
| 0x52 | R/W | Remote 2 Temp Low Limit | 7 | 6 | 5 | 4 | 3 | 2 | 1 | 0 |
| 0x53 | R/W | Remote 2 Temp High Limit | 7 | 6 | 5 | 4 | 3 | 2 | 1 | 0 |
| 0x54 | R/W | TACH1 Minimum Low Byte | 7 | 6 | 5 | 4 | 3 | 2 | 1 | 0 |
| 0x55 | R/W | TACH1 Minimum High Byte | 15 | 14 | 13 | 12 | 11 | 10 | 9 | 8 |

Table 31. REGISTER TABLES

| Address | R/W | Description | Bit 7 | Bit 6 | Bit 5 | Bit 4 | Bit 3 | Bit 2 | Bit 1 | Bit 0 |
|---------|-----|---|----------|-------|-----------------|-----------------|------------------|------------------|------------------|--------------|
| 0x56 | R/W | TACH2 Minimum Low Byte | 7 | 6 | 5 | 4 | 3 | 2 | 1 | 0 |
| 0x57 | R/W | TACH2 Minimum High Byte | 15 | 14 | 13 | 12 | 11 | 10 | 9 | 8 |
| 0x58 | R/W | TACH3 Minimum Low Byte | 7 | 6 | 5 | 4 | 3 | 2 | 1 | 0 |
| 0x59 | R/W | TACH3 Minimum High Byte | 15 | 14 | 13 | 12 | 11 | 10 | 9 | 8 |
| 0x5A | R/W | TACH4 Minimum Low Byte | 7 | 6 | 5 | 4 | 3 | 2 | 1 | 0 |
| 0x5B | R/W | TACH4 Minimum High Byte | 15 | 14 | 13 | 12 | 11 | 10 | 9 | 8 |
| 0x5C | R/W | PWM1 Configuration Register | | | | INV | | SPIN | SPIN | SPIN |
| 0x5D | R/W | PWM2 Configuration Register | | | | INV | | SPIN | SPIN | SPIN |
| 0x5E | R/W | PWM3 Configuration Register | | | | INV | | SPIN | SPIN | SPIN |
| 0x5F | R/W | Remote 1 T _{RANGE} /PWM 1 Frequency | RANGE | RANGE | RANGE | RANGE | HF/LF | FREQ | FREQ | FREQ |
| 0x60 | R/W | Local T _{RANGE} /PWM 2 Frequency | RANGE | RANGE | RANGE | RANGE | HF/LF | FREQ | FREQ | FREQ |
| 0x61 | R/W | Remote 2 T _{RANGE} /PWM3 Frequency | RANGE | RANGE | RANGE | RANGE | HF/LF | FREQ | FREQ | FREQ |
| 0x62 | R/W | Enhance Acoustics Reg. 1 | MIN3 | MIN2 | MIN1 | SYNC | EN1 | ACOU1 | ACOU1 | ACOU1 |
| 0x63 | R/W | Enhance Acoustics Reg. 2 | EN2 | ACOU2 | ACOU2 | ACOU2 | EN3 | ACOU3 | ACOU3 | ACOU3 |
| 0x64 | R/W | PWM1 Min Duty Cycle | 7 | 6 | 5 | 4 | 3 | 2 | 1 | 0 |
| 0x65 | R/W | PWM2 Min Duty Cycle | 7 | 6 | 5 | 4 | 3 | 2 | 1 | 0 |
| 0x66 | R/W | PWM3 Min Duty Cycle | 7 | 6 | 5 | 4 | 3 | 2 | 1 | 0 |
| 0x67 | R/W | Remote 1 Temp T _{MIN} | 7 | 6 | 5 | 4 | 3 | 2 | 1 | 0 |
| 0x68 | R/W | Local Temp T _{MIN} | 7 | 6 | 5 | 4 | 3 | 2 | 1 | 0 |
| 0x69 | R/W | Remote 2 Temp T _{MIN} | 7 | 6 | 5 | 4 | 3 | 2 | 1 | 0 |
| 0x6A | R/W | Remote 1 THERM Temp Limit | 7 | 6 | 5 | 4 | 3 | 2 | 1 | 0 |
| 0x6B | R/W | Local THERM Temp Limit | 7 | 6 | 5 | 4 | 3 | 2 | 1 | 0 |
| 0x6C | R/W | Remote 2 THERM Temp Limit | 7 | 6 | 5 | 4 | 3 | 2 | 1 | 0 |
| 0x6D | R/W | Remote 1 and Local Temp/T _{MIN} Hysteresis | HYSR1 | HYSR1 | HYSR1 | HYSR1 | HYSL | HYSL | HYSL | HYSL |
| 0x6E | R/W | Remote 2 and PECL Temp/T _{MIN} Hysteresis | HYSR2 | HYSR2 | HYSR2 | HYRS | HYSP | HYSP | HYSP | HYSP |
| 0x6F | R/W | XNOR Tree Test Enable | | | | | | | | XEN |
| 0x70 | R/W | Remote 1 Temperature Offset | 7 | 6 | 5 | 4 | 3 | 2 | 1 | 0 |
| 0x71 | R/W | Local Temperature Offset | 7 | 6 | 5 | 4 | 3 | 2 | 1 | 0 |
| 0x72 | R/W | Remote 2 Temperature Offset | 7 | 6 | 5 | 4 | 3 | 2 | 1 | 0 |
| 0x73 | R/W | Configuration Register 2 | Shutdown | FQ1 | FQ0 | TAVG | VAVG | ABS/REL | | |
| 0x74 | R/W | Interrupt Mask 1 Register | | R2T | LT | RIT | 5 V | V _{CC} | V _{CCP} | 2.5 V |
| 0x75 | R/W | Interrupt Mask 2 Register | D2 | D1 | FAN4 | FAN3 | FAN2 | FAN1 | | 12 V |
| 0x76 | R | Extended Resolution 1 | 5 V | 5 V | V _{CC} | V _{CC} | V _{CCP} | V _{CCP} | 2.5 V | 2.5 V |
| 0x77 | R | Extended Resolution 2 | TDM2 | TDM2 | LTMP | LTMP | TDM1 | TDM1 | 12 V | 12 V |
| 0x78 | R/W | Config. 3 | DC4 | DC3 | DC2 | DC1 | FAST | | THERM/2.5V | ALERT Enable |
| 0x79 | R | THERM Timer Value | TMR | TMR | TMR | TMR | TMR | TMR | TMR | ASRT/TMRO |
| 0x7A | R/W | THERM Timer Limit | LIMT | LIMT | LIMT | LIMT | LIMT | LIMT | LIMT | LIMT |

NCT7491

Table 31. REGISTER TABLES

| Address | R/W | Description | Bit 7 | Bit 6 | Bit 5 | Bit 4 | Bit 3 | Bit 2 | Bit 1 | Bit 0 |
|---------|-----|-----------------------------|-----------------|-----------------|------------------------|----------------|-----------------------|---------------|-------------|-------------|
| 0x7B | R/W | TACH Pulses per Revolution | FAN4 | FAN4 | FAN3 | FAN3 | FAN2 | FAN2 | FAN1 | FAN1 |
| 0x7C | R/W | Configuration Register 5 | R2 THERM O/P | Local THERM O/P | R1 THERM O/P | PECI THERM O/P | PIN19 Func | PIN19 Func | Temp Offset | TWOS COMPL |
| 0x7D | R/W | Configuration Register 4 | BpAtt 12 V | BpAtt 5 V | BpAtt V _{CCP} | BpAtt 2.5 V | BpAtt V _{tt} | THERM Disable | Pin 14 Func | Pin 14 Func |
| 0x7E | R | Interrupt Status 5 | OVT_P3 | OVT_P2 | OVT_P1 | OVT_P0 | PUSH3 | PUSH2 | PUSH1 | PUSH0 |
| 0x7F | R/W | Interrupt Mask 5 | | | | | PUSH3 | PUSH2 | PUSH1 | PUSH0 |
| 0x80 | R/W | GPIO Configuration register | GPIO1 DIR | GPIO2 DIR | GPIO1 POL | GPIO2 POL | GPIO1 | GPIO2 | GPEN | |
| 0x81 | R | Interrupt Status 4 | V _{TT} | SMBCNT | PECI3 | PECI2 | PECI1 | GCOMM | TTS | PCC |
| 0x82 | R/W | Interrupt Mask 3 | | | | | OVT THERM Temp Limit | COMM | DATA | PECIO |
| 0x83 | R/W | Interrupt Mask 4 | V _{TT} | SMBCNT | PECI3 | PECI2 | PECI1 | GCOMM | TTS | PCC |
| 0x84 | R/W | V _{TT} Low Limit | 7 | 6 | 5 | 4 | 3 | 2 | 1 | 0 |
| 0x85 | R/W | GPIO Config 2 | GPIO3 DIR | GPIO3 POL | GPIO3 | | | | | |
| 0x86 | R/W | V _{TT} High Limit | 7 | 6 | 5 | 4 | 3 | 2 | 1 | 0 |
| 0x87 | R/W | Configuration 9 | D4V | D3V | D2V | D1V | | PWM3OFF | PWM2OFF | PWM1OFF |
| 0x88 | R/W | PECI Config 2 | #CPU | #CPU | DOM1 | DOM2 | DOM3 | | | |
| 0x89 | R | Interrupt Status 7 | OOL11 | OVT_R2 | OVT_LOC | OVT_R1 | OVT3 | OVT2 | OVT1 | OVT0 |
| 0x8A | R/W | PWM1 Source Control 1 | | PEC3 | PEC2 | PEC1 | PEC0 | REM2 | REM1 | LOC |
| 0x8B | R/W | PWM1 Source Control 2 | SMB7 | SMB6 | SMB5 | SMB4 | SMB3 | SMB2 | SMB1 | SMB0 |
| 0x8C | R/W | PWM1 Source Control 3 | | | | | PUSH3 | PUSH2 | PUSH1 | PUSH0 |
| 0x8D | R/W | PWM2 Source Control 1 | | PEC3 | PEC2 | PEC1 | PEC0 | REM2 | REM1 | LOC |
| 0x8E | R/W | PWM2 Source Control 2 | SMB7 | SMB6 | SMB5 | SMB4 | SMB3 | SMB2 | SMB1 | SMB0 |
| 0x8F | R/W | PWM2 Source Control 3 | | | | | PUSH3 | PUSH2 | PUSH1 | PUSH0 |
| 0x90 | R/W | PWM3 Source Control 1 | | PEC3 | PEC2 | PEC1 | PEC0 | REM2 | REM1 | LOC |
| 0x91 | R/W | PWM3 Source Control 2 | SMB7 | SMB6 | SMB5 | SMB4 | SMB3 | SMB2 | SMB1 | SMB0 |
| 0x92 | R/W | PWM3 Source Control 3 | | | | | PUSH3 | PUSH2 | PUSH1 | PUSH0 |
| 0x93 | | Revision | 7 | 6 | 5 | 4 | 3 | 2 | 1 | 0 |
| 0x94 | R/W | PECI0 Offset | 7 | 6 | 5 | 4 | 3 | 2 | 1 | 0 |
| 0x95 | R/W | PECI1 Offset | 7 | 6 | 5 | 4 | 3 | 2 | 1 | 0 |
| 0x96 | R/W | PECI2 Offset | 7 | 6 | 5 | 4 | 3 | 2 | 1 | 0 |
| 0x97 | R/W | PECI3 Offset | 7 | 6 | 5 | 4 | 3 | 2 | 1 | 0 |
| 0x98 | R/W | SMB Device0 Address | | 6 | 5 | 4 | 3 | 2 | 1 | 0 |
| 0x99 | R/W | SMB Device 0 Command Code | 7 | 6 | 5 | 4 | 3 | 2 | 1 | 0 |
| 0x9A | R/W | SMB Device1 Address | | 6 | 5 | 4 | 3 | 2 | 1 | 0 |
| 0x9B | R/W | SMB Device1 Pointer | 7 | 6 | 5 | 4 | 3 | 2 | 1 | 0 |
| 0x9C | R/W | SMB Device2 Address | | 6 | 5 | 4 | 3 | 2 | 1 | 0 |
| 0x9D | R/W | SMB Device2 Pointer | 7 | 6 | 5 | 4 | 3 | 2 | 1 | 0 |
| 0x9E | R/W | SMB Device3 Address | | 6 | 5 | 4 | 3 | 2 | 1 | 0 |
| 0x9F | R/W | SMB Device3 Pointer | 7 | 6 | 5 | 4 | 3 | 2 | 1 | 0 |
| 0xA0 | R/W | SMB Device4 Address | | 6 | 5 | 4 | 3 | 2 | 1 | 0 |
| 0xA1 | R/W | SMB Device4 Pointer | 7 | 6 | 5 | 4 | 3 | 2 | 1 | 0 |
| 0xA2 | R/W | SMB Device5 Address | | 6 | 5 | 4 | 3 | 2 | 1 | 0 |

Table 31. REGISTER TABLES

| Address | R/W | Description | Bit 7 | Bit 6 | Bit 5 | Bit 4 | Bit 3 | Bit 2 | Bit 1 | Bit 0 |
|---------|-----|---------------------------|---------|---------|--------|-------|-------|-------|-------|--------|
| 0xA3 | R/W | SMB Device5 Pointer | 7 | 6 | 5 | 4 | 3 | 2 | 1 | 0 |
| 0xA4 | R/W | SMB Device6 Address | | 6 | 5 | 4 | 3 | 2 | 1 | 0 |
| 0xA5 | R/W | SMB Device6 Pointer | 7 | 6 | 5 | 4 | 3 | 2 | 1 | 0 |
| 0xA6 | R/W | SMB Device7 Address | | 6 | 5 | 4 | 3 | 2 | 1 | 0 |
| 0xA7 | R/W | SMB Device7 Pointer | 7 | 6 | 5 | 4 | 3 | 2 | 1 | 0 |
| 0xA8 | R | SMB Device0 Value (PCH) | 7 | 6 | 5 | 4 | 3 | 2 | 1 | 0 |
| 0xA9 | R | SMB Device1 Value (DIMM0) | 7 | 6 | 5 | 4 | 3 | 2 | 1 | 0 |
| 0xAA | R | SMB Device2 Value (DIMM1) | 7 | 6 | 5 | 4 | 3 | 2 | 1 | 0 |
| 0xAB | R | SMB Device3 Value (DIMM2) | 7 | 6 | 5 | 4 | 3 | 2 | 1 | 0 |
| 0xAC | R | SMB Device4 Value (DIMM3) | 7 | 6 | 5 | 4 | 3 | 2 | 1 | 0 |
| 0xAD | R | SMB Device5 Value | 7 | 6 | 5 | 4 | 3 | 2 | 1 | 0 |
| 0xAE | R | SMB Device6 Value | 7 | 6 | 5 | 4 | 3 | 2 | 1 | 0 |
| 0xAF | R | SMB Device7 Value | 7 | 6 | 5 | 4 | 3 | 2 | 1 | 0 |
| 0xB0 | R/W | SMB Config1 | RS7 | RS6 | RS5 | RS4 | RS3 | RS2 | RS1 | RS0 |
| 0xB1 | R/W | SMB Config2 | PEC7 | PEC6 | PEC5 | PEC4 | PEC3 | PEC2 | PEC1 | PEC0 |
| 0xB2 | R/W | SMB Config3 | TFMT3 | TFMT3 | TFMT2 | TFMT2 | TFMT1 | TFMT1 | TFMT0 | TFMT0 |
| 0xB3 | R/W | SMB Config4 | TFMT7 | TFMT7 | TFMT6 | TFMT6 | TFMT5 | TFMT5 | TFMT4 | TFMT4 |
| 0xB4 | R | Reserved | | | | | | | | |
| 0xB5 | R/W | SMB Config5 | PCHDIMM | R2DIMM | R1DIMM | SHYS3 | SHYS2 | SHYS1 | SHYS0 | SMBMEN |
| 0xB6 | R | SMB Status 1 | NACK7 | NACK6 | NACK5 | NACK4 | NACK3 | NACK2 | NACK1 | NACK0 |
| 0xB7 | R | SMB Status 2 | PEC7 | PEC6 | PEC5 | PEC4 | PEC3 | PEC2 | PEC1 | PEC0 |
| 0xB8 | R | SMB Status 3 | TO7 | TO6 | TO5 | TO4 | TO3 | TO2 | TO1 | TO0 |
| 0xB9 | R | SMB Status 4 | HILO7 | HILO6 | HILO5 | HILO4 | HILO3 | HILO2 | HILO1 | HILO0 |
| 0xBA | R | SMB Status 5 | TIV7 | TIV6 | TIV5 | TIV4 | TIV3 | TIV2 | TIV1 | TIV0 |
| 0xBB | R | SMB Status 6 | TH7 | TH6 | TH5 | TH4 | TH3 | TH2 | TH1 | TH0 |
| 0xBC | R/W | SMB Mask 1 | NACK7 | NACK6 | NACK5 | NACK4 | NACK3 | NACK2 | NACK1 | NACK0 |
| 0xBD | R/W | SMB Mask 2 | PC7 | PC6 | PC5 | PC4 | PC3 | PC2 | PC1 | PC0 |
| 0xBE | R/W | SMB Mask 3 | TO7 | TO6 | TO5 | TO4 | TO3 | TO2 | TO1 | TO0 |
| 0xBF | R/W | SMB Mask 4 | HILO7 | HILO6 | HILO5 | HILO4 | HILO3 | HILO2 | HILO1 | HILO0 |
| 0xC0 | R/W | SMB Mask 5 | TIV7 | TIV6 | TIV5 | TIV4 | TIV3 | TIV2 | TIV1 | TIV0 |
| 0xC1 | R/W | SMB High Limit | 7 | 6 | 5 | 4 | 3 | 2 | 1 | 0 |
| 0xC2 | R/W | SMB Low Limit | 7 | 6 | 5 | 4 | 3 | 2 | 1 | 0 |
| 0xC3 | R/W | SMB THERM Limit | 7 | 6 | 5 | 4 | 3 | 2 | 1 | 0 |
| 0xC4 | R | Reserved | 7 | 6 | 5 | 4 | 3 | 2 | 1 | 0 |
| 0xC5 | R | Reserved | 7 | 6 | 5 | 4 | 3 | 2 | 1 | 0 |
| 0xC6 | R/W | SMB Device Tmin | 7 | 6 | 5 | 4 | 3 | 2 | 1 | 0 |
| 0xC7 | R/W | SMB Device Trange | SMBINT1 | SMBINT0 | | | RNG | RNG | RNG | RNG |
| 0xC8 | R/W | Push0 Value | 7 | 6 | 5 | 4 | 3 | 2 | 1 | 0 |
| 0xC9 | R/W | Push1 Value | 7 | 6 | 5 | 4 | 3 | 2 | 1 | 0 |
| 0xCA | R/W | Push2 Value | 7 | 6 | 5 | 4 | 3 | 2 | 1 | 0 |
| 0xCB | R/W | Push3 Value | 7 | 6 | 5 | 4 | 3 | 2 | 1 | 0 |
| 0xCC | R/W | Push Tmin | 7 | 6 | 5 | 4 | 3 | 2 | 1 | 0 |
| 0xCD | R/W | Push Trange | | | | | RNG | RNG | RNG | RNG |
| 0xCE | R/W | Push High Limit | 7 | 6 | 5 | 4 | 3 | 2 | 1 | 0 |
| 0xCF | R/W | Push Low Limit | 7 | 6 | 5 | 4 | 3 | 2 | 1 | 0 |

NCT7491

Table 31. REGISTER TABLES

| Address | R/W | Description | Bit 7 | Bit 6 | Bit 5 | Bit 4 | Bit 3 | Bit 2 | Bit 1 | Bit 0 |
|--------------|-----|-----------------------|-------|-------|-------|-------|----------|----------|----------|----------|
| 0xD0 | R/W | Push THERM Limit | 7 | 6 | 5 | 4 | 3 | 2 | 1 | 0 |
| 0xD1 | R/W | Generic PECCI Address | 7 | 6 | 5 | 4 | 3 | 2 | 1 | 0 |
| 0xD2 | R/W | Write Length | 7 | 6 | 5 | 4 | 3 | 2 | 1 | 0 |
| 0xD3 | R/W | Read Length | 7 | 6 | 5 | 4 | 3 | 2 | 1 | 0 |
| 0xD4 | R/W | WRDAT0 | 7 | 6 | 5 | 4 | 3 | 2 | 1 | 0 |
| 0xD5 | R/W | WRDAT1 | 7 | 6 | 5 | 4 | 3 | 2 | 1 | 0 |
| 0xD6 | R/W | WRDAT2 | 7 | 6 | 5 | 4 | 3 | 2 | 1 | 0 |
| 0xD7 | R/W | WRDAT3 | 7 | 6 | 5 | 4 | 3 | 2 | 1 | 0 |
| 0xD8 | R/W | WRDAT4 | 7 | 6 | 5 | 4 | 3 | 2 | 1 | 0 |
| 0xD9 | R/W | WRDAT5 | 7 | 6 | 5 | 4 | 3 | 2 | 1 | 0 |
| 0xDA | R/W | WRDAT6 | 7 | 6 | 5 | 4 | 3 | 2 | 1 | 0 |
| 0xDB | R/W | WRDAT7 | 7 | 6 | 5 | 4 | 3 | 2 | 1 | 0 |
| 0xDC | R/W | WRDAT8 | 7 | 6 | 5 | 4 | 3 | 2 | 1 | 0 |
| 0xDD | R/W | WRDAT9 | 7 | 6 | 5 | 4 | 3 | 2 | 1 | 0 |
| 0xDE | R/W | WRDAT10 | 7 | 6 | 5 | 4 | 3 | 2 | 1 | 0 |
| 0xDF | R/W | WRDAT11 | 7 | 6 | 5 | 4 | 3 | 2 | 1 | 0 |
| 0xE0 | R/W | WRDAT12 | 7 | 6 | 5 | 4 | 3 | 2 | 1 | 0 |
| 0xE1 | R/W | RDDAT0 | 7 | 6 | 5 | 4 | 3 | 2 | 1 | 0 |
| 0xE2 | R/W | RDDAT1 | 7 | 6 | 5 | 4 | 3 | 2 | 1 | 0 |
| 0xE3 | R/W | RDDAT2 | 7 | 6 | 5 | 4 | 3 | 2 | 1 | 0 |
| 0xE4 | R/W | RDDAT3 | 7 | 6 | 5 | 4 | 3 | 2 | 1 | 0 |
| 0xE5 | R/W | RDDAT4 | 7 | 6 | 5 | 4 | 3 | 2 | 1 | 0 |
| 0xE6 | R/W | RDDAT5 | 7 | 6 | 5 | 4 | 3 | 2 | 1 | 0 |
| 0xE7 | R/W | RDDAT6 | 7 | 6 | 5 | 4 | 3 | 2 | 1 | 0 |
| 0xE8 | R/W | RDDAT7 | 7 | 6 | 5 | 4 | 3 | 2 | 1 | 0 |
| 0xE9 | R/W | RDDAT8 | 7 | 6 | 5 | 4 | 3 | 2 | 1 | 0 |
| 0xEA | R/W | PECCI Config 5 | | | | | | PEX | AW | |
| 0xEB | R/W | Push Hyst | | | | | PushHys3 | PushHys2 | PushHys1 | PushHys0 |
| 0xEC to 0xFE | R | Reserved | | | | | | | | |
| 0xFF | R/W | Page Select | | | | | | | | RGMP |
| 0x100 | R/W | Fan1 LUT Temp1 | 7 | 6 | 5 | 4 | 3 | 2 | 1 | 0 |
| 0x101 | R/W | Fan1 LUT PWM1 | 7 | 6 | 5 | 4 | 3 | 2 | 1 | 0 |
| 0x102 | R/W | Fan1 LUT Temp2 | 7 | 6 | 5 | 4 | 3 | 2 | 1 | 0 |
| 0x103 | R/W | Fan1 LUT PWM2 | 7 | 6 | 5 | 4 | 3 | 2 | 1 | 0 |
| 0x104 | R/W | Fan1 LUT Temp3 | 7 | 6 | 5 | 4 | 3 | 2 | 1 | 0 |
| 0x105 | R/W | Fan1 LUT PWM3 | 7 | 6 | 5 | 4 | 3 | 2 | 1 | 0 |
| 0x106 | R/W | Fan1 LUT Temp4 | 7 | 6 | 5 | 4 | 3 | 2 | 1 | 0 |
| 0x107 | R/W | Fan1 LUT PWM4 | 7 | 6 | 5 | 4 | 3 | 2 | 1 | 0 |
| 0x108 | R/W | Fan1 LUT Temp5 | 7 | 6 | 5 | 4 | 3 | 2 | 1 | 0 |
| 0x109 | R/W | Fan1 LUT PWM5 | 7 | 6 | 5 | 4 | 3 | 2 | 1 | 0 |
| 0x10A | R/W | Fan1 LUT Temp6 | 7 | 6 | 5 | 4 | 3 | 2 | 1 | 0 |
| 0x10B | R/W | Fan1 LUT PWM6 | 7 | 6 | 5 | 4 | 3 | 2 | 1 | 0 |
| 0x10C | R/W | Fan1 LUT Temp7 | 7 | 6 | 5 | 4 | 3 | 2 | 1 | 0 |
| 0x10D | R/W | Fan1 LUT PWM7 | 7 | 6 | 5 | 4 | 3 | 2 | 1 | 0 |

Table 31. REGISTER TABLES

| Address | R/W | Description | Bit 7 | Bit 6 | Bit 5 | Bit 4 | Bit 3 | Bit 2 | Bit 1 | Bit 0 |
|-----------------|-----|----------------|-------|-------|-------|-------|-------|-------|-------|-------|
| 0x10E | R/W | Fan1 LUT Temp8 | 7 | 6 | 5 | 4 | 3 | 2 | 1 | 0 |
| 0x10F | R/W | Fan1 LUT PWM8 | 7 | 6 | 5 | 4 | 3 | 2 | 1 | 0 |
| 0x110 | R/W | Fan2 LUT Temp1 | 7 | 6 | 5 | 4 | 3 | 2 | 1 | 0 |
| 0x111 | R/W | Fan2 LUT PWM1 | 7 | 6 | 5 | 4 | 3 | 2 | 1 | 0 |
| 0x112 | R/W | Fan2 LUT Temp2 | 7 | 6 | 5 | 4 | 3 | 2 | 1 | 0 |
| 0x113 | R/W | Fan2 LUT PWM2 | 7 | 6 | 5 | 4 | 3 | 2 | 1 | 0 |
| 0x114 | R/W | Fan2 LUT Temp3 | 7 | 6 | 5 | 4 | 3 | 2 | 1 | 0 |
| 0x115 | R/W | Fan2 LUT PWM3 | 7 | 6 | 5 | 4 | 3 | 2 | 1 | 0 |
| 0x116 | R/W | Fan2 LUT Temp4 | 7 | 6 | 5 | 4 | 3 | 2 | 1 | 0 |
| 0x117 | R/W | Fan2 LUT PWM4 | 7 | 6 | 5 | 4 | 3 | 2 | 1 | 0 |
| 0x118 | R/W | Fan2 LUT Temp5 | 7 | 6 | 5 | 4 | 3 | 2 | 1 | 0 |
| 0x119 | R/W | Fan2 LUT PWM5 | 7 | 6 | 5 | 4 | 3 | 2 | 1 | 0 |
| 0x11A | R/W | Fan2 LUT Temp6 | 7 | 6 | 5 | 4 | 3 | 2 | 1 | 0 |
| 0x11B | R/W | Fan2 LUT PWM6 | 7 | 6 | 5 | 4 | 3 | 2 | 1 | 0 |
| 0x11C | R/W | Fan2 LUT Temp7 | 7 | 6 | 5 | 4 | 3 | 2 | 1 | 0 |
| 0x11D | R/W | Fan2 LUT PWM7 | 7 | 6 | 5 | 4 | 3 | 2 | 1 | 0 |
| 0x11E | R/W | Fan2 LUT Temp8 | 7 | 6 | 5 | 4 | 3 | 2 | 1 | 0 |
| 0x11F | R/W | Fan2 LUT PWM8 | 7 | 6 | 5 | 4 | 3 | 2 | 1 | 0 |
| 0x120 | R/W | Fan3 LUT Temp1 | 7 | 6 | 5 | 4 | 3 | 2 | 1 | 0 |
| 0x121 | R/W | Fan3 LUT PWM1 | 7 | 6 | 5 | 4 | 3 | 2 | 1 | 0 |
| 0x122 | R/W | Fan3 LUT Temp2 | 7 | 6 | 5 | 4 | 3 | 2 | 1 | 0 |
| 0x123 | R/W | Fan3 LUT PWM2 | 7 | 6 | 5 | 4 | 3 | 2 | 1 | 0 |
| 0x124 | R/W | Fan3 LUT Temp3 | 7 | 6 | 5 | 4 | 3 | 2 | 1 | 0 |
| 0x125 | R/W | Fan3 LUT PWM3 | 7 | 6 | 5 | 4 | 3 | 2 | 1 | 0 |
| 0x126 | R/W | Fan3 LUT Temp4 | 7 | 6 | 5 | 4 | 3 | 2 | 1 | 0 |
| 0x127 | R/W | Fan3 LUT PWM4 | 7 | 6 | 5 | 4 | 3 | 2 | 1 | 0 |
| 0x128 | R/W | Fan3 LUT Temp5 | 7 | 6 | 5 | 4 | 3 | 2 | 1 | 0 |
| 0x129 | R/W | Fan3 LUT PWM5 | 7 | 6 | 5 | 4 | 3 | 2 | 1 | 0 |
| 0x12A | R/W | Fan3 LUT Temp6 | 7 | 6 | 5 | 4 | 3 | 2 | 1 | 0 |
| 0x12B | R/W | Fan3 LUT PWM6 | 7 | 6 | 5 | 4 | 3 | 2 | 1 | 0 |
| 0x12C | R/W | Fan3 LUT Temp7 | 7 | 6 | 5 | 4 | 3 | 2 | 1 | 0 |
| 0x12D | R/W | Fan3 LUT PWM7 | 7 | 6 | 5 | 4 | 3 | 2 | 1 | 0 |
| 0x12E | R/W | Fan3 LUT Temp8 | 7 | 6 | 5 | 4 | 3 | 2 | 1 | 0 |
| 0x12F | R/W | Fan3 LUT PWM8 | 7 | 6 | 5 | 4 | 3 | 2 | 1 | 0 |
| 0x130– 0x1CF | | Reserved | | | | | | | | |
| 0x1D0 | R/W | Test Reg 1 | 7 | 6 | 5 | 4 | 3 | 2 | 1 | 0 |
| 0x1D1 | R/W | Test Reg 2 | 7 | 6 | 5 | 4 | 3 | 2 | 1 | 0 |
| 0x1D2 | R/W | Test Reg 3 | 7 | 6 | 5 | 4 | 3 | 2 | 1 | 0 |
| 0x1D3 | R/W | Test Reg 4 | 7 | 6 | 5 | 4 | 3 | 2 | 1 | 0 |
| 0x1D4 | R/W | Test Reg 5 | 7 | 6 | 5 | 4 | 3 | 2 | 1 | 0 |
| 0x1D5 | R/W | Test Reg 6 | 7 | 6 | 5 | 4 | 3 | 2 | 1 | 0 |
| 0x1D6 | R/W | Test Reg 7 | 7 | 6 | 5 | 4 | 3 | 2 | 1 | 0 |
| 0x1D7 | R/W | Test Reg 8 | 7 | 6 | 5 | 4 | 3 | 2 | 1 | 0 |
| 0x1D8 | R/W | Test Reg 9 | 7 | 6 | 5 | 4 | 3 | 2 | 1 | 0 |

Table 31. REGISTER TABLES

| Address | R/W | Description | Bit 7 | Bit 6 | Bit 5 | Bit 4 | Bit 3 | Bit 2 | Bit 1 | Bit 0 |
|---------------|-----|-------------------|-------|-------|-------|-------|-------|-------|-------|--------|
| 0x1D9 – 0x1DF | | Reserved | | | | | | | | |
| 0x1E0 | R/W | Fuse Reg 1 | 7 | 6 | 5 | 4 | 3 | 2 | 1 | 0 |
| 0x1E1 | R/W | Fuse Reg 2 | 7 | 6 | 5 | 4 | 3 | 2 | 1 | 0 |
| 0x1E2 | R/W | Fuse Reg 3 | 7 | 6 | 5 | 4 | 3 | 2 | 1 | 0 |
| 0x1E3 | R/W | Fuse Reg 4 | 7 | 6 | 5 | 4 | 3 | 2 | 1 | 0 |
| 0x1E4 | R/W | Fuse Reg 5 | 7 | 6 | 5 | 4 | 3 | 2 | 1 | 0 |
| 0x1E5 | R/W | Fuse Reg 6 | 7 | 6 | 5 | 4 | 3 | 2 | 1 | 0 |
| 0x1E6 | R/W | Fuse Reg 7 | 7 | 6 | 5 | 4 | 3 | 2 | 1 | 0 |
| 0x1E7 | R/W | Fuse Reg 8 | 7 | 6 | 5 | 4 | 3 | 2 | 1 | 0 |
| 0x1E8 | R/W | Fuse Reg 9 | 7 | 6 | 5 | 4 | 3 | 2 | 1 | 0 |
| 0x1E9 | R/W | Fuse Reg 10 | 7 | 6 | 5 | 4 | 3 | 2 | 1 | 0 |
| 0x1EA | R/W | Fuse Reg 11 | 7 | 6 | 5 | 4 | 3 | 2 | 1 | 0 |
| 0x1EB | R/W | Fuse Reg 12 | 7 | 6 | 5 | 4 | 3 | 2 | 1 | 0 |
| 0x1FF | R/W | Page Select Clear | | | | | | | | RGMPCL |

Table 32. PECCI ADDRESS REGISTERS (Note 1) (Power-On Default = 0x00)

| Register Address | R/W | Description |
|------------------|-----|-------------------|
| 0x00 | R/W | PECI0 CPU Address |
| 0x01 | R/W | PECI1 CPU Address |
| 0x02 | R/W | PECI2 CPU Address |
| 0x03 | R/W | PECI3 CPU Address |

1. These registers are automatically populated when the PECCI interface is enabled. They can be over-written if necessary.

Table 33. PECCI_Abs REGISTERS (Note 2) (Power-On Default = 0x00)

| Register Address | R/W | Description |
|------------------|-----|---------------------------------------|
| 0x04 | R/W | PECI0 absolute value. 8 bit unsigned. |
| 0x05 | R/W | PECI1 absolute value. 8 bit unsigned. |
| 0x06 | R/W | PECI2 absolute value. 8 bit unsigned. |
| 0x07 | R/W | PECI3 absolute value. 8 bit unsigned. |

2. These registers return the absolute CPU temperature calculated using the T_{max} value for each PECCI channel.

Table 34. PECCI Tcontrol LIMIT REGISTERS (Note 3) (Power-On Default = 0x00)

| Register Address | R/W | Description |
|------------------|-----|----------------|
| 0x3D | R/W | PECI0 Tcontrol |
| 0x08 | R/W | PECI1 Tcontrol |
| 0x09 | R/W | PECI2 Tcontrol |
| 0x0A | R/W | PECI3 Tcontrol |

3. If any PECCI reading exceeds its T_{CONTROL} limit, all PWM outputs drive their fans at 100% duty cycle. This is a fail-safe mechanism incorporated to cool the system in the event of a critical over-temperature. It also ensures some level of cooling in the event that software or hardware locks up. If set to 0x80, this feature is disabled. The PWM output remains at 100% until the temperature drops below T_{CONTROL} limit – hysteresis.

NCT7491

Table 35. PECI TJMAX REGISTERS (Note 4) (Power-On Default = 0x00)

| Register Address | R/W | Description |
|------------------|-----|--------------|
| 0x0B | R | PECI0 Tjmax |
| 0x0C | R | PECI1 Tjmax |
| 0x0D | R | PECI2 Tjmax |
| 0x0E | R | PECI3 Tjmaxl |

4. The maximum junction temperature for each CPU is returned in these registers. These are automatically read from the PECI interface on power-up

Table 36. REGISTER 0x0F – PECI Configuration Register 4 (Power-On Default = 0x00)

| Bit | Mnemonic | R/W | Description |
|-------|----------|-----|--|
| <1:0> | DM0CPU | R/W | Sets the DIMM0 CPU assignment: 00 = CPU0 01 = CPU1 10 = CPU2 11 = CPU3 |
| <3:2> | DM1CPU | R/W | Sets the DIMM1 CPU assignment: 00 = CPU0 01 = CPU1 10 = CPU2 11 = CPU3 |
| <5:4> | DM2CPU | R/W | Sets the DIMM2 CPU assignment: 00 = CPU0 01 = CPU1 10 = CPU2 11 = CPU3 |
| <7:6> | DM3CPU | R/W | Sets the DIMM3 CPU assignment: 00 = CPU0 01 = CPU1 10 = CPU2 11 = CPU3 |

Table 37. REGISTER 0x10 – Configuration Register 6 (Power-On Default = 0x18)

| Bit | Mnemonic | R/W | Description |
|-------|-------------------|-----|---|
| <0> | PWM1Mode | R/W | 0 = PWM1 uses Tmin/Trange control 1 = PWM1 uses LUT control |
| <1> | PWM2Mode | R/W | 0 = PWM 2 uses Tmin/Trange control 1 = PWM2 uses LUT control |
| <2> | PWM3Mode | R/W | 0 = PWM3 uses Tmin/Trange control 1 = PWM3 uses LUT control |
| <4:3> | SMBRT (Note 5) | R/W | Sets the SMBus Master Retry delay time: 00 = 1 ms 01 = 2 ms 10 = 4 ms 11 = 8 ms |
| <5> | IFT | R/W | 1 = Ignore first tach pulse during tach measurement. This can be used to stabilize readings from fans that produce erroneous glitches in 3-wire mode. |

5. If an error occurs in the SMBus Master sequence then the interface will attempt to read from the slave device again. The interval between read attempts is set by SMBRT

NCT7491

Table 37. REGISTER 0x10 – Configuration Register 6 (Power-On Default = 0x18)

| Bit | Mnemonic | R/W | Description |
|-----|----------------------|-----|--|
| <6> | V _{CCP} Low | R/W | VCCPLow = 1. When the power is supplied from 3.3 V STANDBY and the core voltage (VCCP) drops below its VCCP low limit value (Reg. 0x46), the following occurs: Status Bit 1 in Status Register 1 is set. SMBALERT is generated, if enabled. PROCHOT monitoring is disabled. Everything is re-enabled once VCCP increases above the VCCP low limit. When VCCP increases above the low limit: PROCHOT monitoring is enabled. Fans return to their programmed state after a spin-up cycle. |
| <7> | Reserved | R | |

5. If an error occurs in the SMBus Master sequence then the interface will attempt to read from the slave device again. The interval between read attempts is set by SMBRT

Table 38. REGISTER 0x11 – Configuration Register 7 (Power-On Default = 0x04)

| Bit | Mnemonic | R/W | Description |
|-----|----------|-----|---|
| <0> | THERMHys | R/W | Setting this bit to 1 enables THERM hysteresis. Note that hysteresis on THERM is disabled by default. To enable hysteresis this bit must be set to logic 1 and also bit <2> of register 0x7D must be cleared to 0. |
| <1> | FSPD | R/W | When set to 1, this bit runs all fans at max speed as programmed in the max PWM duty cycle registers (0x38 to 0x3A). Power-on default = 0. This bit is not locked at any time. |
| <2> | Vtt | R/W | Setting this bit to 1 includes Vtt in the analog monitoring cycle |
| <3> | FSPDIS | R/W | Logic 1 disables fan spin-up for two TACH pulses. Instead, the PWM outputs go high for the entire fan spin-up timeout selected. |
| <4> | TODIS | R/W | When this bit is set to 1, the SMBus timeout feature is disabled. In this state, if at any point during an SMBus transaction involving the NCT7491 activity ceases for more than 35 ms, the NCT7491 assumes the bus is locked and releases the bus. This allows the NCT7491 to be used with SMBus controllers that cannot handle SMBus timeouts. (Lockable.) |
| <5> | SMBFS1 | R/W | PWM1 response to 3 consecutive SMBus Slave device errors; 0=no response; 1=PWM1 go to max speed or 100% |
| <6> | SMBFS2 | R/W | PWM2 response to 3 consecutive SMBus Slave device errors; 0=no response; 1=PWM2 go to max speed or 100% |
| <7> | SMBFS3 | R/W | PWM3 response to 3 consecutive SMBus Slave device errors; 0=no response; 1=PWM3 go to max speed or 100% |

Table 39. REGISTER 0x12 – Interrupt Status 6 (Power-On Default = 0x00)

| Bit | Mnemonic | R/W | Description |
|-----|----------|-----|--------------------------------------|
| <0> | OOL0 | R | 1 = ALERT assertion in register 0x41 |
| <1> | OOL4 | R | 1 = ALERT assertion in register 0x7E |
| <2> | OOL5 | R | 1 = ALERT assertion in register 0xB6 |
| <3> | OOL6 | R | 1 = ALERT assertion in register 0xB7 |
| <4> | OOL7 | R | 1 = ALERT assertion in register 0xB8 |
| <5> | OOL8 | R | 1 = ALERT assertion in register 0xB9 |
| <6> | OOL9 | R | 1 = ALERT assertion in register 0xBA |
| <7> | OOL10 | R | 1 = ALERT assertion in register 0x89 |

NCT7491

Table 40. REGISTER 0x13 – Configuration Register 8 (Power-On Default = 0xFF)

| Bit | Mnemonic | R/W | Description |
|-----|----------|-----|---|
| <0> | Local | R/W | Setting this bit to 1 includes Local temperature in the analog monitoring cycle |
| <1> | Rem1 | R/W | Setting this bit to 1 includes Rem1 temperature in the analog monitoring cycle |
| <2> | Rem2 | R/W | Setting this bit to 1 includes Rem2 temperature in the analog monitoring cycle |
| <3> | 12V | R/W | Setting this bit to 1 includes 12V in the analog monitoring cycle |
| <4> | 5V | R/W | Setting this bit to 1 includes 5V in the analog monitoring cycle |
| <5> | Vccp | R/W | Setting this bit to 1 includes Vccp in the analog monitoring cycle |
| <6> | 2.5V | R/W | Setting this bit to 1 includes 2.5V in the analog monitoring cycle |
| <7> | Vcc | R/W | Setting this bit to 1 includes Vcc in the analog monitoring cycle errors. |

Table 41. PWM STEPPING LEVEL REGISTERS (Power-On Default = 0x00)

| Register Address | Register | R/W | Description |
|------------------|----------|-----|---|
| 0x14 | PWMStep1 | R/W | Sets the PWM level on a THERM assertion if THERM stepping is enabled |
| 0x15 | PWMStep2 | R/W | Sets the PWM level if THERM stepping is enabled and the temperature is greater than THERM + Step (Note 6) |

6. The temperature interval for each step is programmed in registers 0x18 and 0x19

Table 42. REGISTER 0x16 – THERM Configuration Register 1 (Power-On Default = 0x1C)

| Bit | Mnemonic | R/W | Description |
|-------|-------------|-----|--|
| <1:0> | TMRP | R/W | 00 = Disabled 01 = Pin 14 (QSOP), Pin 11 (QFN) is THERM timer input 10 = Pin 19 (QSOP), Pin 16 (QFN) is THERM timer input 11 = Pin 22 (QSOP), Pin 19 (QFN) is THERM timer input |
| <2> | Max/Full 1 | R/W | 1= PWM1 goes to 100% on THERM 0= PWM1 goes to Max programmed PWM on THERM |
| <3> | Max/Full 2 | R/W | 1= PWM2 goes to 100% on THERM 0= PWM2 goes to Max programmed PWM on THERM |
| <4> | Max/Full 3 | R/W | 1= PWM3 goes to 100% on THERM 0= PWM3 goes to Max programmed PWM on THERM |
| <5> | Push THERM | R/W | 1 = THERM assertions enabled for Push temperatures 0 = THERM assertions disabled for Push temperatures |
| <6> | SMBus THERM | R/W | 1 = THERM assertions enabled for SMBus slave temperatures 0 = THERM assertions disabled for SMBus slave temperatures |
| <7> | Reserved | R | |

Table 43. REGISTER 0x17 – THERM Configuration Register 2 (Power-On Default = 0x07)

| Bit | Mnemonic | R/W | Description |
|-----|----------|-----|--|
| <0> | P1TH | R/W | If set to 1 then PWM1 will respond to THERM events |
| <1> | P2TH | R/W | If set to 1 then PWM2 will respond to THERM events |
| <2> | P3TH | R/W | If set to 1 then PWM3 will respond to THERM events |
| <3> | Reserved | R | |
| <4> | Reserved | R | |
| <5> | Reserved | R | |
| <6> | Reserved | R | |
| <7> | Reserved | R | |

NCT7491

Table 44. REGISTER 0x18 – THERM Configuration Register 3 (Power-On Default = 0x00)

| Bit | Mnemonic | R/W | Description |
|-------|----------|-----|---|
| <3:0> | SMBSTEP | R/W | Sets the Step size used by the THERM stepping function when applied to SMBus Master device THERM assertions |
| <7:4> | PECSTEP | R/W | Sets the Step size used by the THERM stepping function when applied to PECI Tcontrol assertions |

Table 45. REGISTER 0x19 – THERM Configuration Register 4 (Power-On Default = 0x00)

| Bit | Mnemonic | R/W | Description |
|-------|----------|-----|--|
| <3:0> | SNRSTEP | R/W | Sets the Step size used by the THERM stepping function when applied to Remote1/Local/Remote2 sensor THERM assertions |
| <7:4> | PSHSTEP | R/W | Sets the Step size used by the THERM stepping function when applied to Push temperature THERM assertions |

Table 46. PECI READING REGISTERS (Power-On Default = 0x80)

| Register Address | R/W | Description |
|------------------|-----|--|
| 0x33 | R | PECI0: This register reads the 8 bits representative of PECI0 |
| 0x1A | R | PECI1: This register reads the 8 bits representative of PECI1 |
| 0x1B | R | PECI2: This register reads the 8 bits representative of PECI2 |
| 0x1C | R | PECI3: This register reads the 8 bits representative of PECI 3 |

Table 47. DEVICE ID REGISTER (Power-On Default = 0x91)

| Register Address | R/W | Description | Power-On Default |
|------------------|-----|-------------|------------------|
| 0x1D | R | Device ID | 0x91 |

Table 48. V_{TT} READING REGISTER (Power-On Default = 0x00)

| Register Address | R/W | Description |
|------------------|-----|--|
| 0x1E | R | Reflects the voltage measurement at the V _{TT} input on Pin 8 of the QSOP package, Pin 5 of the QFN package (8 MSBs of reading). Input range of 0 to 2v |

Table 49. REGISTER 0x1F EXTENDED RESOLUTION 3 (Power-On Default = 0x00)

| Bits | R/W | Description |
|-------|-----|---|
| <3:0> | R | RESERVED |
| <5:4> | R | Bits <5:4> hold the two LSB's of the 10-bit V _{TT} measurement |
| <7:6> | R | RESERVED |

Table 50. VOLTAGE READING REGISTERS (Power-On Default = 0x00) (Note 7)

| Register Address | R/W | Description |
|------------------|-----|---|
| 0x20 | R | Reflects the voltage measurement at the 2.5 V input on Pin 22 of the QSOP package, Pin 19 of the QFN package (8 MSBs of reading). |
| 0x21 | R | Reflects the voltage measurement (Note 8) at the V _{CCP} input on Pin 23 of the QSOP package, Pin 20 of the QFN package (8 MSBs of reading). |
| 0x22 | R | Reflects the voltage measurement (Note 9) at the V _{CC} input on Pin 4 of the QSOP package, Pin 1 of the QFN package (8 MSBs of reading). |
| 0x23 | R | Reflects the voltage measurement at the 5 V input on Pin 20 of the QSOP package, Pin 17 of the QFN package (8 MSBs of reading). |
| 0x24 | R | Reflects the voltage measurement at the 12 V input on Pin 21 of the QSOP package, Pin 18 of the QFN package (8 MSBs of reading). |

- If the extended resolution bits of these readings are also being read, the extended resolution registers (Reg. 0x76, 0x77) must be read first. Once the extended resolution registers have been read, the associated MSB reading registers are frozen until read. Both the extended resolution registers and the MSB registers are frozen.
- If V_{CCP}Low (Bit 6 of 0x10) is set, V_{CCP} can control the sleep state of the NCT7491.
- V_{CC} (Pin 4 on the QSOP package, Pin1 on the QFN package) is the supply voltage for the NCT7491.

Table 51. TEMPERATURE READING REGISTERS (Power-On Default = 0x80) (Notes 10, 11, 12)

| Register Address | R/W | Description |
|------------------|-----|---|
| 0x25 | R | Remote 1 temperature reading (Notes 12, 13) (8 MSB of reading). |
| 0x26 | R | Local temperature reading (8 MSB of reading). |
| 0x27 | R | Remote 2 temperature reading (Notes 12, 13) (8 MSB of reading). |

10. If the extended resolution bits of these readings are also being read, the extended resolution registers (Reg. 0x76, 0x77) must be read first. Once the extended resolution registers have been read, all associated MSB reading registers are frozen until read. Both the extended resolution registers and the MSB registers are frozen.
11. These temperature readings can be in twos complement or offset 64 format; this interpretation is determined by Bit 0 of Configuration Register 5 (0x7C).
12. In twos complement mode, a temperature reading of -128°C (0x80) indicates a diode fault (open or short) on that channel.
13. In offset 64 mode, a temperature reading of -64°C (0x00) indicates a diode fault (open or short) on that channel.

Table 52. FAN TACHOMETER READING REGISTERS (Power-On Default = 0x00) (Note 14)

| Register Address | R/W | Description |
|------------------|-----|------------------|
| 0x28 | R | TACH1 low byte. |
| 0x29 | R | TACH1 high byte. |
| 0x2A | R | TACH2 low byte. |
| 0x2B | R | TACH2 high byte. |
| 0x2C | R | TACH3 low byte. |
| 0x2D | R | TACH3 high byte. |
| 0x2E | R | TACH4 low byte. |
| 0x2F | R | TACH4 high byte. |

14. These registers count the number of 11.11 μs periods (based on an internal 90 kHz clock) that occur between a number of consecutive fan TACH pulses (default = 2). The number of TACH pulses used to count can be changed using the fan pulses per revolution register (Reg. 0x7B). This allows the fan speed to be accurately measured. Because a valid fan tachometer reading requires that two bytes be read, the low byte *must* be read first. Both the low and high bytes are then frozen until read. At power-on, these registers contain 0x0000 until the first valid fan TACH measurement is read into these registers. This prevents false interrupts from occurring while the fans are spinning up. A count of 0xFFFF indicates that a fan is one of the following: stalled or blocked (object jamming the fan), failed (internal circuitry destroyed), or not populated. (The NCT7491 expects to see a fan connected to each TACH. If a fan is not connected to that TACH, its TACH minimum high and low bytes should be set to 0xFF.)

Table 53. CURRENT PWM DUTY CYCLE REGISTERS (Power-On Default = 0xFF) (Note 15)

| Register Address | R/W | Description |
|------------------|-----|---|
| 0x30 | R/W | PWM1 current duty cycle (0% to 100% duty cycle = 0x00 to 0xFF). |
| 0x31 | R/W | PWM2 current duty cycle (0% to 100% duty cycle = 0x00 to 0xFF). |
| 0x32 | R/W | PWM3 current duty cycle (0% to 100% duty cycle = 0x00 to 0xFF). |

15. These registers reflect the PWM duty cycle driving each fan at any given time. When in automatic fan speed control mode, the NCT7491 reports the PWM duty cycles back through these registers. The PWM duty cycle values vary according to temperature in automatic fan speed control mode. During fan startup, these registers report back 0x00. In manual mode, the PWM duty cycle outputs can be set to any duty cycle value by writing to these registers.

Table 54. REGISTER 0x33 PECI0 READING REGISTER (Power-On Default = 0x80)

| Register Address | R/W | Description |
|------------------|-----|---|
| 0x33 | R | PECI0: This register reads the 8 bits representative of PECI Client Address stored in register 0x00 |

Table 55. PECI LIMIT REGISTERS REGISTER

| Register Address | R/W | Description | Power-On Default |
|------------------|-----|-----------------|------------------|
| 0x34 | R/W | PECI Low Limit | 0x81 |
| 0x35 | R/W | PECI High Limit | 0x00 |

NCT7491

Table 56. REGISTER 0x36 PECI CONFIGURATION REGISTER 1 (Power-On Default = 0x00)

| BIT | NAME | R/W | Description | |
|-------|----------|-----|---|------------------|
| <2:0> | AVG | R/W | PECI Averaging Count | |
| | | | Code | Averaged Samples |
| | | | 000 | 1 |
| | | | 001 | 2 |
| | | | 010 | 4 |
| | | | 011 | 8 |
| | | | 100 | Reserved |
| | | | 101 | Reserved |
| | | | 110 | Reserved |
| | | | 111 | Reserved |
| <3> | DOM0 | R/W | CPU Domain Count information. Set to 0 indicates that CPU 1 associated with the PECI0 reading has a single domain (Default). Set to 1 indicates that the system CPU 1 contains two domains. | |
| <4> | Reserved | | | |
| <5> | Reserved | | | |
| <7:6> | Reserved | | | |

Table 57. REGISTER 0x37 PECI CONFIGURATION REGISTER 3 (Power-On Default = 0x32)

| Bit | Name | R/W | Description |
|-------|----------|-----|---|
| <0> | PDET | R/W | 1 = at least one PECI enabled processor detected 0 = no processors detected |
| <1> | RTYDIS | R/W | 1 = PECI retry bit is disabled 0 = PECI retry bit is enabled This bit allows the user to disable the PECI retry bit for any subsequent commands following a bad Completion Code from the CPU. It is enabled by default. |
| <2> | Reserved | R | |
| <3> | Reserved | R | |
| <5:4> | Rate | R/W | PECI update rate 00 = 1/sec 01 = 2/sec 10 = 5/sec 11 = 10/sec |
| <6> | Reserved | | |
| <7> | PWEN | R/W | 1=PECI CPU writes are enabled 0=PECI CPU writes are disabled |

Table 58. MAXIMUM PWM DUTY CYCLE (Power-On Default = 0xFF) (Note 16)

| Register Address | R/W ² | Description |
|------------------|------------------|--|
| 0x38 | R/W | Maximum duty cycle for PWM1 output, default = 100% (0xFF). |
| 0x39 | R/W | Maximum duty cycle for PWM2 output, default = 100% (0xFF). |
| 0x3A | R/W | Maximum duty cycle for PWM3 output, default = 100% (0xFF). |

16. These registers set the maximum PWM duty cycle of the PWM output.

NCT7491

Table 59. PECI T_{MIN} REGISTER (Power-On Default = 0x80)

| Register Address | R/W | Description | Power-On Default |
|------------------|-----|---|------------------|
| 0x3B | R/W | PECI T _{MIN} When the PECI measurement exceeds PECI T _{MIN} the appropriate fans run at PWM _{MIN} and increase according to the automatic fan speed control slope. If Absolute PECI mode is used then the maximum valid Tmin value is 175°C. | 0xD6 (-42°C) |

Table 60. REGISTER 0x3C – PECI T_{RANGE} (Power-On Default = 0xC0)

| Bit | Name | R/W ¹ | Description |
|-------|--------------------|------------------|---|
| <2:0> | Reserved | R | |
| < 3 > | Reserved | R | |
| <7:4> | T _{RANGE} | R/W | These bits determine the PWM duty cycle vs. the PECI temperature range for automatic fan control. 0000 = 2°C 0001 = 2.5°C 0010 = 3.33°C 0011 = 4°C 0100 = 5°C 0101 = 6.67°C 0110 = 8°C 0111 = 10°C 1000 = 13.33°C 1001 = 16°C 1010 = 20°C 1011 = 26.67°C 1100 = 32°C (default) 1101 = 40°C 1110 = 53.33°C 1111 = 80°C |

Table 61. PECI0 T_{CONTROL} LIMIT REGISTER (Note 17)

| Register Address | R/W | Description | Power-On Default |
|------------------|-----|-----------------------------------|------------------|
| 0x3D | R/W | PECI0 T _{CONTROL} limit. | 0x00 |

17. If any PECI reading exceeds the T_{CONTROL} limit, all PWM outputs drive their fans at 100% duty cycle. This is a fail-safe mechanism incorporated to cool the system in the event of a critical overtemperature. It also ensures some level of cooling in the event that software or hardware locks up. If set to 0x80, this feature is disabled. The PWM output remains at 100% until the temperature drops below T_{CONTROL} limit – hysteresis.

Table 62. COMPANY ID REGISTER

| Register Address | R/W | Description | Power-On Default |
|------------------|------|-------------|------------------|
| 0x3E | Read | Company ID | 0x1A |

Table 63. REGISTER 0x3F VERSION/REVISION REGISTER (Power-On-Default = 0x6C)

| Bit | Name | R/W | Description |
|-------|--------|------|---|
| <1:0> | REV | Read | These two bits indicate the NCT7491 silicon revision number. 0x00 indicates rev 0, 0x01 indicates Rev 1 etc... |
| <2> | PECI | Read | This bit is set to 1 indicating that the NCT7491 supports the PECI interface |
| <3> | 4 Wire | Read | This bit is set to 1 indicating that the NCT7491 may be configured to drive 4-wire fans using high frequency PWM. |
| <7:4> | VER | Read | These bits indicate the Heceta version number of the device. |

NCT7491

Table 64. REGISTER 0x40 – Configuration Register 1 (Power-On Default = 0x84)

| Bit | Name | R/W | Description |
|-------|------------------------|------------|--|
| <0> | STRT (Notes 18, 19) | R/W | Logic 1 enables monitoring and PWM control outputs based on the limit settings programmed. Logic 0 disables monitoring and PWM control is based on the default power-up limit settings. Note that the limit values programmed are preserved even if a Logic 0 is written to this bit and the default settings are enabled. This bit does not become locked once Bit 1 (LOCK bit) has been set. |
| <1> | LOCK | Write once | Logic 1 locks all limit values to their current settings. Once this bit is set, all lockable registers become read-only and cannot be modified until the NCT7491 is powered down and powered up again. This prevents rogue programs such as viruses from modifying critical system limit settings. (Lockable.) |
| <2> | RDY | R | This bit is set to 1 by the NCT7491 to indicate that the device is fully powered-up and ready to begin system monitoring. |
| <3> | Fan Boost | R/W | When this bit is set to logic 1 all PWM outputs go to 100% regardless of other fan speed configurations and automatic fan speed control settings. When this bit is set to 0 the fan speed control returns to the fan speed setting calculated by the pre-programmed fan speed control settings. This bit remains writable after the lock bit is set. |
| <4> | PECI Monitor | R/W | Set this bit to logic 1 to enable CPU thermal monitoring via Peci interface. This bit becomes read only when the lock bit is set. |
| <5> | THERM Override | R/W | When this bit is set to logic 1, any THERM pin assertion will cause the fans to go to 100% or Max PWM, depending on bits <4:2> of register 0x16, overriding any other fan setting, even when the PWM's are configured for manual mode, or disabled. This bit becomes read only when the lock bit is set. |
| <7:6> | AVELN | R/W | Sets the averaging length for all analog channels 00 = 4 readings per averaged value 01 = 8 readings per averaged value 10 = 16 readings per averaged value 11 = 32 readings per averaged value |

18. Bit 0 (STRT) of Configuration Register 1 (0x40) remains writable after lock bit is set.

19. When monitoring (STRT) is disabled, PWM outputs always go to 100% for thermal protection.

Table 65. REGISTER 0x41 – Interrupt Status Register 1 (Power-On Default = 0x00)

| Bit | Name | R/W | Description |
|-----|------------------|-----|--|
| <0> | 2.5 V | R | 2.5 V = 1 indicates that the 2.5 V high or low limit has been exceeded. This bit is cleared on a read of the status register only if the error condition has subsided. |
| <1> | V _{CCP} | R | V _{CCP} = 1 indicates that the V _{CCP} high or low limit has been exceeded. This bit is cleared on a read of the status register only if the error condition has subsided. |
| <2> | V _{CC} | R | V _{CC} = 1 indicates that the V _{CC} high or low limit has been exceeded. This bit is cleared on a read of the status register only if the error condition has subsided. |
| <3> | 5 V | R | A 1 indicates that the 5 V high or low limit has been exceeded. This bit is cleared on a read of the status register only if the error condition has subsided. |
| <4> | RIT | R | RIT = 1 indicates that the Remote 1 low or high temperature has been exceeded. This bit is cleared on a read of the status register only if the error condition has subsided. |
| <5> | LT | R | LT = 1 indicates that the local low or high temperature has been exceeded. This bit is cleared on a read of the status register only if the error condition has subsided. |
| <6> | R2T | R | R2T = 1 indicates that the Remote 2 low or high temperature has been exceeded. This bit is cleared on a read of the status register only if the error condition has subsided. |
| <7> | OOL | R | OOL = 1 indicates that an out-of-limit event has been latched in Status Register 2. This bit is a logical OR of all status bits in Status Register 2 (0x42). Software can test this bit in isolation to determine whether any of the voltage, temperature, or fan speed readings represented by Status Register 2 are out-of-limit, which eliminates the need to read Status Register 2 during every interrupt or polling cycle. |

Table 66. REGISTER 0x42 – Interrupt Status Register 2 (Power-On Default = 0x00)

| Bit | Name | R/W | Description |
|-----|------|-----|---|
| <0> | 12 V | R | A 1 indicates that the 12 V high or low limit has been exceeded. This bit is cleared on a read of the status register only if the error condition has subsided. |
| <1> | OOL | R | OOL = 1 indicates that an out-of-limit event has been latched in Status Register 3 (0x43). This bit is a logical OR of all status bits in Status Register 3 Software can test this bit in isolation to determine whether any of the voltage, temperature, or fan speed readings represented by Status Register 3 are out-of-limit, which eliminates the need to read Status Register 3 during every interrupt or polling cycle. |
| <2> | FAN1 | R | FAN1 = 1 indicates that Fan 1 has dropped below minimum speed or has stalled. This bit is not set when the PWM 1 output is off. |
| <3> | FAN2 | R | FAN2 = 1 indicates that Fan 2 has dropped below minimum speed or has stalled. This bit is not set when the PWM 2 output is off. |
| <4> | FAN3 | R | FAN3 = 1 indicates that Fan 3 has dropped below minimum speed or has stalled. This bit is not set when the PWM 3 output is off. |
| <5> | FAN4 | R | When Pin 14 on the QSOP package, Pin 11 on the QFN package is programmed as a TACH4 input, FAN4 = 1 indicates that Fan 4 has dropped below minimum speed or has stalled. This bit is not set when the PWM3 output is off. |
| <6> | D1 | R | D1 = 1 indicates either an open or short circuit on the Thermal Diode 1 inputs. |
| <7> | D2 | R | D2 = 1 indicates either an open or short circuit on the Thermal Diode 2 inputs. |

Table 67. REGISTER 0x43 – Interrupt Status Register 3 (Power-On Default = 0x00)

| Bit | Name | R/W | Description |
|-------|-------|-----|--|
| <0> | PECI0 | R | A logic 1 indicates that the PECL high or low limit has been exceeded by the PECL value from PECL client address 0x30. This bit is cleared on a read of the status register only if the error condition has subsided. |
| <1> | Data | R | A logic 1 indicates that valid PECL data cannot be obtained for the processor and a specified error code has been recorded. |
| <2> | Comm | R | A logic 1 indicates that there is a communications error (e.g. invalid FCS) on the PECL interface. |
| <3> | OVT | R | OVT = 1 indicates that one of the THERM over temperature limits has been exceeded. This bit is cleared on a read of the status register when the temperature drops below THERM – T _{HYST} . |
| <6:4> | DAT | R | If a DATA error occurs then bits <6:4> indicate the error type <000> = General sensor error (0x8000) <001> = Sensor underflow (0x8002) <010> = Sensor overflow (0x8003) <111> = Other |
| <7> | OOL3 | R | OOL3 = 1 indicates that an out-of-limit event has been latched in Status Register 4 (0x81). This bit is a logical OR of all status bits in Status Register 4 Software can test this bit in isolation to determine whether any of the voltage, temperature, or fan speed readings represented by Status Register 4 are out-of-limit, which eliminates the need to read Status Register 4 during every interrupt or polling cycle. |

Table 68. VOLTAGE LIMIT REGISTERS (Note 20)

| Register Address | R/W | Description (Note 21) | Power-On Default |
|------------------|-----|------------------------------|------------------|
| 0x44 | R/W | 2.5 V low limit. | 0x00 |
| 0x45 | R/W | 2.5 V high limit. | 0xFF |
| 0x46 | R/W | V _{CCP} low limit. | 0x00 |
| 0x47 | R/W | V _{CCP} high limit. | 0xFF |
| 0x48 | R/W | V _{CC} low limit. | 0x00 |
| 0x49 | R/W | V _{CC} high limit. | 0xFF |
| 0x4A | R/W | 5 V low limit. | 0x00 |
| 0x4B | R/W | 5 V high limit. | 0xFF |
| 0x4C | R/W | 12 V low limit. | 0x00 |
| 0x4D | R/W | 12 V high limit. | 0xFF |

20. Setting the Configuration Register 1 lock bit has no effect on these registers.

21. High limits: An interrupt is generated when a value exceeds its high limit (> comparison). Low limits: An interrupt is generated when a value is equal to or below its low limit (≥ comparison).

NCT7491

Table 69. TEMPERATURE LIMIT REGISTERS (Note 22)

| Register Address | R/W | Description (Note 23) | Power-On Default |
|------------------|-----|----------------------------------|------------------|
| 0x4E | R/W | Remote 1 temperature low limit. | 0x81 |
| 0x4F | R/W | Remote 1 temperature high limit. | 0x7F |
| 0x50 | R/W | Local temperature low limit. | 0x81 |
| 0x51 | R/W | Local temperature high limit. | 0x7F |
| 0x52 | R/W | Remote 2 temperature low limit. | 0x81 |
| 0x53 | R/W | Remote 2 temperature high limit. | 0x7F |

22. Exceeding any of these temperature limits by 1°C causes the appropriate status bit to be set in the interrupt status register. Setting the Configuration Register 1 lock bit has no effect on these registers.

23. High limits: An interrupt is generated when a value exceeds its high limit (> comparison). Low limits: An interrupt is generated when a value is equal to or below its low limit (≤ comparison).

Table 70. FAN TACHOMETER LIMIT REGISTERS (Note 24)

| Register Address | R/W | Description | Power-On Default |
|------------------|-----|--------------------------|------------------|
| 0x54 | R/W | TACH1 minimum low byte. | 0xFF |
| 0x55 | R/W | TACH1 minimum high byte. | 0xFF |
| 0x56 | R/W | TACH2 minimum low byte. | 0xFF |
| 0x57 | R/W | TACH2 minimum high byte. | 0xFF |
| 0x58 | R/W | TACH3 minimum low byte. | 0xFF |
| 0x59 | R/W | TACH3 minimum high byte. | 0xFF |
| 0x5A | R/W | TACH4 minimum low byte. | 0xFF |
| 0x5B | R/W | TACH4 minimum high byte. | 0xFF |

24. Exceeding any of the TACH limit registers by 1 indicates that the fan is running too slowly or has stalled. The appropriate status bit is set in Interrupt Status Register 2 to indicate the fan failure.

Table 71. PWM CONFIGURATION REGISTERS

| Register Address | R/W | Description | Power-On Default |
|------------------|----------|---------------------|--|
| 0x5C | R/W | PWM1 configuration. | 0x02 |
| 0x5D | R/W | PWM2 configuration. | 0x02 |
| 0x5E | R/W | PWM3 configuration. | 0x02 |
| Bit | Name | R/W | Description |
| <2:0> | SPIN | R/W | These bits control the startup timeout for PWMx. The PWM output stays high until two valid TACH rising edges are seen from the fan. If there is not a valid TACH signal during the fan TACH measurement directly after the fan startup timeout period, then the TACH measurement reads 0xFFFF and Status Register 2 reflects the fan fault. If the TACH minimum high and low bytes contain 0xFFFF or 0x0000, then the Status Register 2 bit is not set, even if the fan has not started. |
| | | | 000 = No startup timeout |
| | | | 001 = 100 ms |
| | | | 010 = 250 ms (default) |
| | | | 011 = 400 ms |
| | | | 100 = 667 ms |
| | | | 101 = 1 sec |
| | | | 110 = 2 sec |
| | | | 111 = 4 sec |
| <3> | Reserved | | |
| <4> | INV | R/W | This bit inverts the PWM output. The default is 0, which corresponds to a logic high output for 100% duty cycle. Setting this bit to 1 inverts the PWM output, so 100% duty cycle corresponds to a logic low output. |
| <7:5> | Reserved | | |

NCT7491

Table 72. TEMP TRANGE/PWM FREQUENCY REGISTERS

| Register Address | | R/W | Description | Power-On Default |
|------------------|-------|-----|---|------------------|
| 0x5F | | R/W | Remote 1 T _{RANGE} /PWM1 frequency. | 0xC3 |
| 0x60 | | R/W | Local temperature T _{RANGE} /PWM2 frequency. | 0xC3 |
| 0x61 | | R/W | Remote 2 T _{RANGE} /PWM3 frequency. | 0xC3 |
| Bit | Name | R/W | Description | |
| <2:0> | FREQ | R/W | These bits control the PWMx frequency (only apply when PWM channel is in low frequency mode). | |
| | | | 000 = 11.0 Hz | |
| | | | 001 = 14.7 Hz | |
| | | | 010 = 22.1 Hz | |
| | | | 011 = 29.4 Hz (default) | |
| | | | 100 = 35.3 Hz | |
| | | | 101 = 44.1 Hz | |
| | | | 110 = 58.8 Hz | |
| | | | 111 = 88.2 Hz | |
| <3> | HF/LF | R/W | HF/LF = 1, High frequency PWM mode is enabled for PWMx. HF/LF = 0, Low frequency PWM mode is enabled for PWMx. | |
| <7:4> | RANGE | R/W | These bits determine the PWM duty cycle vs. the temperature range for automatic fan control. | |
| | | | 0000 = 2°C | |
| | | | 0001 = 2.5°C | |
| | | | 0010 = 3.33°C | |
| | | | 0011 = 4°C | |
| | | | 0100 = 5°C | |
| | | | 0101 = 6.67°C | |
| | | | 0110 = 8°C | |
| | | | 0111 = 10°C | |
| | | | 1000 = 13.33°C | |
| | | | 1001 = 16°C | |
| | | | 1010 = 20°C | |
| | | | 1011 = 26.67°C | |
| | | | 1100 = 32°C (default) | |
| 1101 = 40°C | | | | |
| 1110 = 53.33°C | | | | |
| 1111 = 80°C | | | | |

NCT7491

Table 73. REGISTER 0x62 – Enhanced Acoustics Register 1 (Power-On Default = 0x20)

| Bit | Name | R/W | Description | | | | | | | | | | | | | | | | | | |
|--------------------|---------------------|-----|---|--------------------|---------------------|---------|----------|---------|----------|---------|----------|---------|---------|---------|---------|----------|---------|----------|---------|----------|---------|
| <2:0> | ACOU | R/W | These bits define the maximum rate of change of the PWM1 output. Instead of the fan speed jumping instantaneously to its newly determined speed, it ramps gracefully at the rate determined by these bits. This feature ultimately enhances the acoustics of the fan. | | | | | | | | | | | | | | | | | | |
| | | | <table border="1" style="width: 100%; border-collapse: collapse;"> <thead> <tr> <th>Time Slot Increase</th> <th>Time for 0% to 100%</th> </tr> </thead> <tbody> <tr> <td>000 = 1</td> <td>37.5 sec</td> </tr> <tr> <td>001 = 2</td> <td>18.8 sec</td> </tr> <tr> <td>010 = 3</td> <td>12.5 sec</td> </tr> <tr> <td>011 = 4</td> <td>7.5 sec</td> </tr> <tr> <td>100 = 8</td> <td>4.7 sec</td> </tr> <tr> <td>101 = 12</td> <td>3.1 sec</td> </tr> <tr> <td>110 = 24</td> <td>1.6 sec</td> </tr> <tr> <td>111 = 48</td> <td>0.8 sec</td> </tr> </tbody> </table> | Time Slot Increase | Time for 0% to 100% | 000 = 1 | 37.5 sec | 001 = 2 | 18.8 sec | 010 = 3 | 12.5 sec | 011 = 4 | 7.5 sec | 100 = 8 | 4.7 sec | 101 = 12 | 3.1 sec | 110 = 24 | 1.6 sec | 111 = 48 | 0.8 sec |
| Time Slot Increase | Time for 0% to 100% | | | | | | | | | | | | | | | | | | | | |
| 000 = 1 | 37.5 sec | | | | | | | | | | | | | | | | | | | | |
| 001 = 2 | 18.8 sec | | | | | | | | | | | | | | | | | | | | |
| 010 = 3 | 12.5 sec | | | | | | | | | | | | | | | | | | | | |
| 011 = 4 | 7.5 sec | | | | | | | | | | | | | | | | | | | | |
| 100 = 8 | 4.7 sec | | | | | | | | | | | | | | | | | | | | |
| 101 = 12 | 3.1 sec | | | | | | | | | | | | | | | | | | | | |
| 110 = 24 | 1.6 sec | | | | | | | | | | | | | | | | | | | | |
| 111 = 48 | 0.8 sec | | | | | | | | | | | | | | | | | | | | |
| <3> | EN1 | R/W | When this bit is 1, smoothing is enabled on PWM1 output. | | | | | | | | | | | | | | | | | | |
| <4> | SYNC | R/W | SYNC = 1 synchronizes fan speed measurements on TACH2, TACH3, and TACH4 to PWM3. This allows up to three fans to be driven from PWM3 output and their speeds to be measured. SYNC = 0 synchronizes only TACH3 and TACH4 to PWM3 output. | | | | | | | | | | | | | | | | | | |
| <5> | MIN1 | R/W | When the NCT7491 is in automatic fan control mode, this bit defines whether PWM1 is off (0% duty cycle) or at PWM1 minimum duty cycle when the controlling temperature is below its T_{MIN} – hysteresis value. 0 = 0% duty cycle below T_{MIN} – hysteresis. 1 = PWM1 minimum duty cycle below T_{MIN} – hysteresis. | | | | | | | | | | | | | | | | | | |
| <6> | MIN2 | R/W | When the NCT7491 is in automatic fan speed control mode, this bit defines whether PWM2 is off (0% duty cycle) or at PWM2 minimum duty cycle when the controlling temperature is below its T_{MIN} – hysteresis value. 0 = 0% duty cycle below T_{MIN} – hysteresis. 1 = PWM 2 minimum duty cycle below T_{MIN} – hysteresis. | | | | | | | | | | | | | | | | | | |
| <7> | MIN3 | R/W | When the NCT7491 is in automatic fan speed control mode, this bit defines whether PWM3 is off (0% duty cycle) or at PWM3 minimum duty cycle when the controlling temperature is below its T_{MIN} – hysteresis value. 0 = 0% duty cycle below T_{MIN} – hysteresis. 1 = PWM3 minimum duty cycle below T_{MIN} – hysteresis. | | | | | | | | | | | | | | | | | | |

Table 74. REGISTER 0x63 – Enhanced Acoustics Register 2 (Power-On Default = 0x00)

| Bit | Name | R/W (Note 25) | Description | | | | | | | | | | | | | | | | | | |
|--------------------|---------------------|---------------|---|--------------------|---------------------|---------|----------|---------|----------|---------|----------|---------|---------|---------|---------|----------|---------|----------|---------|----------|---------|
| <2:0> | ACOU3 | R/W | These bits define the maximum rate of change of the PWM3 output. Instead of the fan speed jumping instantaneously to its newly determined speed, it ramps gracefully at the rate determined by these bits. This feature ultimately enhances the acoustics of the fan. | | | | | | | | | | | | | | | | | | |
| | | | <table border="1" style="width: 100%; border-collapse: collapse;"> <thead> <tr> <th>Time Slot Increase</th> <th>Time for 0% to 100%</th> </tr> </thead> <tbody> <tr> <td>000 = 1</td> <td>37.5 sec</td> </tr> <tr> <td>001 = 2</td> <td>18.8 sec</td> </tr> <tr> <td>010 = 3</td> <td>12.5 sec</td> </tr> <tr> <td>011 = 4</td> <td>7.5 sec</td> </tr> <tr> <td>100 = 8</td> <td>4.7 sec</td> </tr> <tr> <td>101 = 12</td> <td>3.1 sec</td> </tr> <tr> <td>110 = 24</td> <td>1.6 sec</td> </tr> <tr> <td>111 = 48</td> <td>0.8 sec</td> </tr> </tbody> </table> | Time Slot Increase | Time for 0% to 100% | 000 = 1 | 37.5 sec | 001 = 2 | 18.8 sec | 010 = 3 | 12.5 sec | 011 = 4 | 7.5 sec | 100 = 8 | 4.7 sec | 101 = 12 | 3.1 sec | 110 = 24 | 1.6 sec | 111 = 48 | 0.8 sec |
| Time Slot Increase | Time for 0% to 100% | | | | | | | | | | | | | | | | | | | | |
| 000 = 1 | 37.5 sec | | | | | | | | | | | | | | | | | | | | |
| 001 = 2 | 18.8 sec | | | | | | | | | | | | | | | | | | | | |
| 010 = 3 | 12.5 sec | | | | | | | | | | | | | | | | | | | | |
| 011 = 4 | 7.5 sec | | | | | | | | | | | | | | | | | | | | |
| 100 = 8 | 4.7 sec | | | | | | | | | | | | | | | | | | | | |
| 101 = 12 | 3.1 sec | | | | | | | | | | | | | | | | | | | | |
| 110 = 24 | 1.6 sec | | | | | | | | | | | | | | | | | | | | |
| 111 = 48 | 0.8 sec | | | | | | | | | | | | | | | | | | | | |
| < 3 > | EN3 | R/W | When this bit is 1, smoothing is enabled on the PWM3 output. | | | | | | | | | | | | | | | | | | |

25. These registers become read-only when the NCT7491 is in automatic fan control mode.

NCT7491

Table 74. REGISTER 0x63 – Enhanced Acoustics Register 2 (Power–On Default = 0x00)

| Bit | Name | R/W (Note 25) | Description |
|-------|-------|---------------|---|
| <6:4> | ACOU2 | R/W | These bits define the maximum rate of change of the PWM2 output. Instead of the fan speed jumping instantaneously to its newly determined speed, it ramps gracefully at the rate determined by these bits. This feature ultimately enhances the acoustics of the fan. |
| | | | Time Slot Increase |
| | | | Time for 0% to 100% |
| | | | 000 = 1 |
| | | | 37.5 sec |
| | | | 001 = 2 |
| | | | 18.8 sec |
| | | | 010 = 3 |
| | | | 12.5 sec |
| | | | 011 = 4 |
| | | | 7.5 sec |
| | | | 100 = 8 |
| | | | 4.7 sec |
| | | | 101 = 12 |
| | | | 3.1 sec |
| | | | 110 = 24 |
| | | | 1.6 sec |
| | | | 111 = 48 |
| | | | 0.8 sec |
| <7> | EN2 | R/W | When this bit is 1, smoothing is enabled on the PWM2 output. |

25. These registers become read–only when the NCT7491 is in automatic fan control mode.

Table 75. PWM MINIMUM DUTY CYCLE REGISTERS

| Register Address | R/W (Note 26) | Description | Power–On Default |
|------------------|----------------|--------------------------|---|
| 0x64 | R/W | PWM1 minimum duty cycle. | 0x80 (50% duty cycle) |
| 0x65 | R/W | PWM2 minimum duty cycle. | 0x80 (50% duty cycle) |
| 0x66 | R/W | PWM3 minimum duty cycle. | 0x80 (50% duty cycle) |
| Bit | Name | R/W (Note 26) | Description |
| <7:0> | PWM duty cycle | R/W | These bits define the PWM _{MIN} duty cycle for PWMx. |
| | | | 0x00 = 0% duty cycle (fan off). |
| | | | 0x40 = 25% duty cycle. |
| | | | 0x80 = 50% duty cycle. |
| | | | 0xFF = 100% duty cycle (fan full speed). |

26. These registers become read–only when the NCT7491 is in automatic fan control mode.

Table 76. T_{MIN} REGISTERS (Note 27)

| Register Address | R/W | Description | Power–On Default |
|------------------|-----|---|------------------|
| 0x67 | R/W | Remote 1 Temperature T _{MIN} . | 0x5A (90°C) |
| 0x68 | R/W | Local Temperature T _{MIN} . | 0x5A (90°C) |
| 0x69 | R/W | Remote 2 Temperature T _{MIN} . | 0x5A (90°C) |

27. These are the T_{MIN} registers for each temperature channel. When the temperature measured exceeds T_{MIN}, the appropriate fan runs at minimum speed and increases with temperature according to T_{RANGE}.

Table 77. THERM LIMIT REGISTERS (Note 28)

| Register Address | R/W | Description | Power–On Default |
|------------------|-----|-----------------------|------------------|
| 0x6A | R/W | Remote 1 THERM limit. | 0x64 (100°C) |
| 0x6B | R/W | Local THERM limit. | 0x64 (100°C) |
| 0x6C | R/W | Remote 2 THERM limit. | 0x64 (100°C) |

28. If any temperature measured exceeds its THERM limit, all PWM outputs drive their fans at 100% duty cycle. This is a fail–safe mechanism incorporated to cool the system in the event of a critical over temperature. It also ensures some level of cooling in the event that software or hardware locks up. If set to 0x80, this feature is disabled. The PWM output remains at 100% until the temperature drops below THERM limit – hysteresis. If the THERM pin is programmed as an output, exceeding these limits by 0.25°C can cause the THERM pin to assert low as an output.

NCT7491

Table 78. TEMPERATURE/T_{MIN} HYSTERESIS REGISTERS (Note 29)

| Register Address | R/W | Description | Power-On Default |
|------------------|-------|--|------------------|
| 0x6D | R/W | Remote 1 and Local Temperature hysteresis. | 0x44 |
| <3:0> | HYSL | Local Temperature hysteresis. 0°C to 15°C of hysteresis can be applied to the Local temperature AFC control loops. | |
| <7:4> | HYSR1 | Remote 1 Temperature hysteresis. 0°C to 15°C of hysteresis can be applied to the Remote 1 Temperature AFC control loops. | |
| 0x6E | R/W | PECI and Remote 2 Temperature hysteresis. | 0x44 |
| <3:0> | HYSP | PECI Temperature hysteresis. 0°C to 15°C of hysteresis can be applied to the Peci AFC control loops. | |
| <7:4> | HYSR2 | Remote 2 Temperature hysteresis. 0°C to 15°C of hysteresis can be applied to the Local Temperature AFC control loops. | |

29. Each 4-bit value controls the amount of temperature hysteresis applied to a particular temperature channel. Once the temperature for that channel falls below its T_{MIN} value, the fan remains running at PWM_{MIN} duty cycle until the temperature = T_{MIN} – hysteresis. Up to 15°C of hysteresis can be assigned to any temperature channel. The hysteresis value chosen also applies to that temperature channel, if its THERM limit is exceeded. The PWM output being controlled goes to 100%, if the THERM limit is exceeded and remains at 100% until the temperature drops below THERM – hysteresis. For acoustic reasons, it is recommended that the hysteresis value not be programmed less than 4°C. Setting the hysteresis value lower than 4°C causes the fan to switch on and off regularly when the temperature is close to T_{MIN}.

Table 79. REGISTER 0x6F – XNOR Tree Test Enable (Power-On Default = 0x00)

| Register Address | R/W (Note 30) | Description |
|------------------|---------------|--|
| <0> | XEN | If the XEN bit is set to 1, the device enters the XNOR tree test mode. Clearing the bit removes the device from the XNOR tree test mode. |
| <7:1> | Reserved | Unused. Do not write to these bits. |

30. This register becomes read-only when the Configuration Register 1 lock bit is set to 1. Any further attempts to write to this register have no effect.

Table 80. REMOTE 1 TEMPERATURE OFFSET (Note 31)

| Register Address | R/W (Note 31) | Description | Power-On Default |
|------------------|---------------|---|------------------|
| 0x70 | R/W | Remote 1 temperature offset. | 0x00 |
| <7:0> | R/W | Allows a temperature offset to be automatically applied to the remote temperature 1 channel measurement. Bit 1 of 0x7C (Configuration Register 5) determines the range and resolution of this register. | |

31. This register becomes read-only when the Configuration Register 1 lock bit is set to 1. Any further attempts to write to this register have no effect.

Table 81. LOCAL TEMPERATURE OFFSET (Note 32)

| Register Address | R/W (Note 32) | Description | Power-On Default |
|------------------|---------------|--|------------------|
| 0x71 | R/W | Local temperature offset. | 0x00 |
| <7:0> | R/W | Allows a temperature offset to be automatically applied to the local temperature measurement. Bit 1 of 0x7C (Configuration Register 5) determines the range and resolution of this register. | |

32. This register becomes read-only when the Configuration Register 1 lock bit is set to 1. Any further attempts to write to this register have no effect.

Table 82. REMOTE 2 TEMPERATURE OFFSET (Note 33)

| Register Address | R/W (Note 33) | Description | Power-On Default |
|------------------|---------------|---|------------------|
| 0x72 | R/W | Remote 2 temperature offset. | 0x00 |
| <7:0> | R/W | Allows a temperature offset to be automatically applied to the remote temperature 2 channel measurement. Bit 1 of 0x7C (Configuration Register 5) determines the range and resolution of this register. | |

33. This register becomes read-only when the Configuration Register 1 lock bit is set to 1. Any further attempts to write to this register have no effect.

NCT7491

Table 83. REGISTER 0x73 – Configuration Register 2 (Power-On Default = 0x00) (Note 34)

| Bit | Name | R/W (Note 34) | Description |
|-------|----------|---------------|---|
| 0 | Reserved | R | |
| 1 | Reserved | R | |
| 2 | ABS/REL | R/W | 0 = PECI uses relative values for fan control 1 = PECI uses absolute value for fan control |
| 3 | VAVG | R/W | VAVG = 1 indicates that averaging on the voltage measurements is turned off. This allows measurements on each channel to be made much faster. |
| 4 | TAVG | R/W | TAVG = 1 indicates that averaging on the temperature measurements is turned off. This allows measurements on each channel to be made much faster. |
| <6:5> | FQ | R/W | Sets the fault queue length: <00> = 1 event <01> = 2 events <10> = 3 events <11> = 4 events |
| 7 | Shutdown | R/W | |

34. This register becomes read-only when the Configuration Register 1 lock bit is set to 1. Any further attempts to write to this register have no effect.

Table 84. REGISTER 0x74 – Interrupt Mask Register 1 (Power-On Default = 0x00)

| Bit | Name | R/W | Description |
|-----|------------------|-----|--|
| 0 | 2.5 V | R/W | 2.5 V = 1, masks SMBALERT for out-of-limit conditions on the 2.5 V channel. |
| 1 | V _{CCP} | R/W | V _{CCP} = 1 masks SMBALERT for out-of-limit conditions on the V _{CCP} channel. |
| 2 | V _{CC} | R/W | V _{CC} = 1 masks SMBALERT for out-of-limit conditions on the V _{CC} channel. |
| 3 | 5 V | R/W | 5 V = 1 masks SMBALERT for out-of-limit conditions on the 5 V channel. |
| 4 | RIT | R/W | RIT = 1 masks SMBALERT for out-of-limit conditions on the Remote 1 Temperature channel. |
| 5 | LT | R/W | LT = 1 masks SMBALERT for out-of-limit conditions on the Local Temperature channel. |
| 6 | R2T | R/W | R2T = 1 masks SMBALERT for out-of-limit conditions on the Remote 2 Temperature channel. |
| 7 | | R | Reserved |

Table 85. REGISTER 0x75 – Interrupt Mask Register 2 (Power-On Default = 0x00)

| Bit | Name | R/W | Description |
|-----|------|-----|---|
| 0 | 12 V | R/W | 12 V = 1, masks SMBALERT for out-of-limit conditions on the 12 V channel. |
| 1 | | R | Reserved |
| 2 | FAN1 | R/W | FAN1 = 1 masks SMBALERT for a Fan 1 fault. |
| 3 | FAN2 | R/W | FAN2 = 1 masks SMBALERT for a Fan 2 fault. |
| 4 | FAN3 | R/W | FAN3 = 1 masks SMBALERT for a Fan 3 fault. |
| 5 | FAN4 | R/W | FAN4 = 1 masks SMBALERT for a Fan 4 fault. |
| 6 | D1 | R/W | D1 = 1 masks SMBALERT for a diode open or short on a Remote 1 channel. |
| 7 | D2 | R/W | D2 = 1 masks SMBALERT for a diode open or short on a Remote 2 channel. |

Table 86. REGISTER 0x76 – Extended Resolution Register 1 (Note 35) (Power-On Default = 0x00)

| Bit | Name | R/W | Description |
|-------|------------------|-----|---|
| <1:0> | 2.5 V | R | 2.5 V LSBs. Holds the 2 LSBs of the 10-bit 2.5 V measurement. |
| <3:2> | V _{CCP} | R | V _{CCP} LSBs. Holds the 2 LSBs of the 10-bit V _{CCP} measurement. |
| <5:4> | V _{CC} | R | V _{CC} LSBs. Holds the 2 LSBs of the 10-bit V _{CC} measurement. |
| <7:6> | 5 V | R | 5 V LSBs. Holds the 2 LSBs of the 10-bit 5 V measurement. |

35. If this register is read, this register and the registers holding the MSB of each reading are frozen until read.

NCT7491

Table 87. REGISTER 0x77 – Extended Resolution Register 2 (Note 36) (Power-On Default = 0x00)

| Bit | Name | R/W | Description |
|-------|------|-----|---|
| <1:0> | 12 V | R | 12 V LSBs. Holds the 2 LSBs of the 10-bit 12 V measurement. |
| <3:2> | TDM1 | R | Remote 1 Temperature LSBs. Holds the 2 LSBs of the 10-bit Remote 1 temperature measurement. |
| <5:4> | LTMP | R | Local Temperature LSBs. Holds the 2 LSBs of the 10-bit local temperature measurement. |
| <7:6> | TDM2 | R | Remote 2 Temperature LSBs. Holds the 2 LSBs of the 10-bit Remote 2 temperature measurement. |

36. If this register is read, this register and the registers holding the MSB of each reading are frozen until read.

Table 88. REGISTER 0x78 – Configuration Register 3 (Power-On Default = 0x00)

| Bit | Name | R/W (Note 37) | Description |
|-----|------------------|------------------|---|
| <0> | ALERT | R/W | ALERT = 1, Pin 10 on the QSOP package, Pin 7 on the QFN package (PWM2/SMBALERT) is configured as an SMBALERT interrupt output to indicate out-of-limit error conditions. ALERT = 0, Pin 10 on the QSOP package, Pin 7 on the QFN package (PWM2/SMBALERT) is configured as the PWM2 output. |
| <1> | THERM / 2.5 V | R/W | THERM = 1 enables THERM functionality on Pin 22 on the QSOP package, Pin 19 on the QFN package |
| <2> | Reserved | R | |
| <3> | FAST | R/W | FAST = 1 enables fast TACH measurements on all channels. This increases the TACH measurement rate from once per second to once every 250 ms (4 x). |
| <4> | DC1 | R/W | DC1 = 1 enables TACH measurements to be continuously made on TACH1. Fans must be driven by dc. Setting this bit prevents pulse stretching because it is not required for dc-driven motors. |
| <5> | DC2 | R/W | DC2 = 1 enables TACH measurements to be continuously made on TACH2. Fans must be driven by dc. Setting this bit prevents pulse stretching because it is not required for dc-driven motors. |
| <6> | DC3 | R/W | DC3 = 1 enables TACH measurements to be continuously made on TACH3. Setting this bit prevents pulse stretching because it is not required for dc-driven motors. |
| <7> | DC4 | R/W | DC4 = 1 enables TACH measurements to be continuously made on TACH4. Setting this bit prevents pulse stretching because it is not required for dc-driven motors. |

37. Bits <3:0> of this register become read-only when the Configuration Register 1 lock bit is set to 1. Any further attempts to write to bits <3:0> have no effect.

Table 89. REGISTER 0x79 – THERM Timer Value Register (Power-On Default = 0x00)

| Bit | Name | R/W | Description |
|-------|---------------|-----|---|
| <7:1> | TMR | R | Times how long THERM input is asserted. These seven bits read zero until the THERM assertion time exceeds 45.52 ms. |
| <0> | ASRT/ TMR0 | R | This bit is set high on the assertion of the THERM input and is cleared on read. If the THERM assertion time exceeds 45.52 ms, this bit is set and becomes the LSB of the 8-bit TMR reading. This allows THERM assertion times from 45.52 ms to 5.82 sec to be reported back with a resolution of 22.76 ms. |

Table 90. REGISTER 0x7A – THERM Timer Limit Register (Power-On Default = 0xFF)

| Bit | Name | R/W | Description |
|-------|-------|-----|---|
| <7:0> | LIMIT | R/W | Sets maximum THERM assertion length allowed before an interrupt is generated. This is an 8-bit limit with a resolution of 22.76 ms allowing THERM assertion limits of 45.52 ms to 5.82 s to be programmed. If the THERM assertion time exceeds this limit, Bit 5 (F4P) of Interrupt Status Register 2 (Reg. 0x42) is set. If the limit value is 0x00, an interrupt is generated immediately on the assertion of the THERM input. If THERM is configured as an output the THERM timer limit should be set to 0xFF to avoid unwanted alerts from being generated. |

NCT7491

Table 91. REGISTER 0x7B – TACH Pulses per Revolution Register (Power-On Default = 0x55)

| Bit | Name | R/W | Description |
|-------|------|-----|--|
| <1:0> | FAN1 | R/W | Sets number of pulses to be counted when measuring Fan 1 speed. Can be used to determine fan pulses per revolution for unknown fan type. |
| | | | Pulses Counted |
| | | | 00 = 1 |
| | | | 01 = 2 (default) |
| | | | 10 = 3 |
| <3:2> | FAN2 | R/W | Sets number of pulses to be counted when measuring Fan 2 speed. Can be used to determine fan pulses per revolution for unknown fan type. |
| | | | Pulses Counted |
| | | | 00 = 1 |
| | | | 01 = 2 (default) |
| | | | 10 = 3 |
| <5:4> | FAN3 | R/W | Sets number of pulses to be counted when measuring Fan 3 speed. Can be used to determine fan pulses per revolution for unknown fan type. |
| | | | Pulses Counted |
| | | | 00 = 1 |
| | | | 01 = 2 (default) |
| | | | 10 = 3 |
| <7:6> | FAN4 | R/W | Sets number of pulses to be counted when measuring Fan 4 speed. Can be used to determine fan pulses per revolution for unknown fan type. |
| | | | Pulses Counted |
| | | | 00 = 1 |
| | | | 01 = 2 (default) |
| | | | 10 = 3 |
| | | | 11 = 4 |

Table 92. REGISTER 0x7C – Configuration Register 5 (Power-On Default = 0x05)

| Bit | Name | R/W (Note 38) | Description |
|-------|-------------------|------------------|--|
| <0> | 2sC | R/W | 2sC = 1 sets the temperature range to the twos complement temperature range. 2sC = 0 changes the temperature range to the offset 64 temperature range. When this bit is changed, the NCT7491 interprets all relevant temperature register values as defined by this bit. |
| <1> | TempOffset | R/W | TempOffset = 0 sets offset range to –63°C to +64°C with 0.5°C resolution. TempOffset = 1 sets offset range to –63°C to +127°C with 1°C resolution. These settings apply to registers 0x70, 0x71, and 0x72 (Remote 1, Internal and Remote2 Temperature offset registers. Note: PECL offset is always 1°C resolution.) |
| <3:2> | Pin19 Function | R/W | 00 = Pin 19 is SMBALERT 01 = Pin 19 is THERM 10 = Pin 19 is GPIO3 11 = reserved Note: Pin 19 refers to the QSOP package. The equivalent pin on the QFN package is pin 16. |

38. This register becomes read-only when the Configuration Register 1 lock bit is set to 1. Any further attempts to write to this register have no effect.

NCT7491

Table 92. REGISTER 0x7C – Configuration Register 5 (Power-On Default = 0x05)

| Bit | Name | R/W (Note 38) | Description |
|-----|----------------------------------|------------------|---|
| <4> | PECI $\overline{T}_{CONTROL}$ | R/W | PECI = 1 enables \overline{THERM} assertions when the PEGI temperature read is higher than the PEGI $\overline{T}_{CONTROL}$ limit and the \overline{THERM} pin is bidirectional. If \overline{THERM} is configured as an output the \overline{THERM} timer limit (register 0x7A) should be set to 0xFF to avoid unwanted alerts from being generated. PECI = 0 indicates that the \overline{THERM} pin is configured as a timer input only. Can also be disabled by writing $-128^{\circ}C$ to the relevant PEGI $\overline{T}_{CONTROL}$ limit register. |
| <5> | R1 \overline{THERM} | R/W | R1 = 1 enables \overline{THERM} assertions when the Remote 1 temperature read is higher than the Remote 1 \overline{THERM} limit and the \overline{THERM} pin is bidirectional. If \overline{THERM} is configured as an output the \overline{THERM} timer limit (register 0x7A) should be set to 0xFF to avoid unwanted alerts from being generated. R1 = 0 indicates that the \overline{THERM} pin is configured as a timer input only. can also be disabled by writing one of the below values to the Remote 1 \overline{THERM} limit register (0x6A): Writing $-64^{\circ}C$ in offset 64 mode. Writing $-128^{\circ}C$ in twos complement mode. |
| <6> | Local \overline{THERM} | R/W | Local = 1 enables \overline{THERM} assertions when the Local temperature read is higher than the Local \overline{THERM} limit and the \overline{THERM} pin is bidirectional. If \overline{THERM} is configured as an output the \overline{THERM} timer limit (register 0x7A) should be set to 0xFF to avoid unwanted alerts from being generated. can also be disabled by writing one of the below values to the Remote 1 \overline{THERM} limit register (0x6B): Writing $-64^{\circ}C$ in offset 64 mode. Writing $-128^{\circ}C$ in twos complement mode. |
| <7> | R2 \overline{THERM} | R/W | R2 = 1 enables \overline{THERM} assertions when the Remote 2 temperature read is higher than the Remote 2 \overline{THERM} limit and the \overline{THERM} pin is bidirectional. If \overline{THERM} is configured as an output the \overline{THERM} timer limit (register 0x7A) should be set to 0xFF to avoid unwanted alerts from being generated. can also be disabled by writing one of the below values to the Remote 1 \overline{THERM} limit register (0x6C): Writing $-64^{\circ}C$ in offset 64 mode. Writing $-128^{\circ}C$ in twos complement mode. |

38. This register becomes read-only when the Configuration Register 1 lock bit is set to 1. Any further attempts to write to this register have no effect.

Table 93. REGISTER 0x7D – Configuration Register 4 (Power-On Default = 0x00)

| Bit | Name | R/W (Note 39) | Description |
|-------|-------------------------------|------------------|---|
| <1:0> | PIN14FUNC | R/W | These bits set the functionality of Pin 14: 00 = TACH4 (default) 01 = \overline{THERM} 10 = SMBALERT 11 = RESERVED Note: Pin 14 refers to the QSOP package. The equivalent pin on the QFN package is pin 11. |
| <2> | \overline{THERM} Disable | R/W | \overline{THERM} Disable = 0 enables \overline{THERM} overtemperature output assuming \overline{THERM} is correctly configured (registers 0x78, 0x7C, 0x7D). \overline{THERM} Disable = 1 disables \overline{THERM} overtemperature output on all channels. \overline{THERM} can also be disabled on any channel by: Writing $-64^{\circ}C$ to the appropriate \overline{THERM} temperature limit in offset 64 mode. Writing $-128^{\circ}C$ to the appropriate \overline{THERM} temperature limit in twos complement mode. |
| <3> | BpAtt Vtt | R/W | Bypass Vtt attenuator. When set, the measurement scale for this channel changes from 0 V (0x00) to 2 V (0xFF). |
| <4> | BpAtt2.5 V | R/W | Bypass 2.5 V attenuator. When set, the measurement scale for this channel changes from 0 V (0x00) to 2 V (0xFF). |
| <5> | BpAttV _{CCP} | R/W | Bypass V _{CCP} attenuator. When set, the measurement scale for this channel changes from 0 V (0x00) to 2 V (0xFF). |
| <6> | BpAtt5 V | R/W | Bypass 5 V attenuator. When set, the measurement scale for this channel changes from 0 V (0x00) to 2 V (0xFF). |
| <7> | BpAtt12 V | R/W | Bypass 12 V attenuator. When set, the measurement scale for this channel changes from 0 V (0x00) to 2 V (0xFF). |

39. This register becomes read-only when the Configuration Register 1 lock bit is set to 1. Any further attempts to write to this register have no effect.

NCT7491

Table 94. REGISTER 0x7E – Interrupt Status 5 (Power-On Default = 0x00)

| Bit | Name | R/W | Description |
|-----|--------|-----|---|
| <0> | PUSH0 | R | Logic 1 indicates ALERT assertion for Push0 temperature |
| <1> | PUSH1 | R | Logic 1 indicates ALERT assertion for Push1 temperature |
| <2> | PUSH2 | R | Logic 1 indicates ALERT assertion for Push2 temperature |
| <3> | PUSH3 | R | Logic 1 indicates ALERT assertion for Push3 temperature |
| <4> | OVT_P0 | R | Logic 1 indicates THERM assertion for Push0 temperature |
| <5> | OVT_P1 | R | Logic 1 indicates THERM assertion for Push1 temperature |
| <6> | OVT_P2 | R | Logic 1 indicates THERM assertion for Push2 temperature |
| <7> | OVT_P3 | R | Logic 1 indicates THERM assertion for Push3 temperature |

Table 95. REGISTER 0x7F – Interrupt Mask 5 (Power-On Default = 0x00)

| Bit | Name | R/W | Description |
|-----|----------|-----|--------------------------------------|
| <0> | PUSH0 | R/W | Logic 1 masks PUSH0 ALERT assertions |
| <1> | PUSH1 | R/W | Logic 1 masks PUSH1 ALERT assertions |
| <2> | PUSH2 | R/W | Logic 1 masks PUSH2 ALERT assertions |
| <3> | PUSH3 | R/W | Logic 1 masks PUSH3 ALERT assertions |
| <4> | Reserved | R | Reserved |
| <5> | Reserved | R | Reserved |
| <6> | Reserved | R | Reserved |
| <7> | Reserved | R | Reserved |

Table 96. REGISTER 0x80 – GPIO Register (Power-On Default = 0xCE)

| Bit | Name | R/W | Description |
|-----|-----------|----------|--|
| <0> | RES | RESERVED | |
| <1> | GPEN | | 1= GPIO1 enabled on pin 5, GPIO2 enabled on pin 6 0 = GPIO1 and GPIO2 are disabled This bit only has effect if the SMBus master port is disabled (0xB5 <0> =0) |
| <2> | GPIO2 | R/W | If GPIO2 is set to input, this register reflects the state of the pin. If GPIO2 is configured as an output, writing to this register asserts the output high or low depending on the polarity. |
| <3> | GPIO1 | R/W | If GPIO1 is set to input, this register reflects the state of the pin. If GPIO1 is configured as an output, writing to this register asserts the output high or low depending on the polarity. |
| <4> | GPIO2 POL | R/W | GPIO2 polarity bit. Set to 0 for active low. Set to 1 for active high. |
| <5> | GPIO1 POL | R/W | GPIO1 polarity bit. Set to 0 for active low. Set to 1 for active high. |
| <6> | GPIO2 DIR | R/W | GPIO2 direction bit. Set to 1 for GPIO2 to act as an input, set to 0 for GPIO2 to act as an output. |
| <7> | GPIO1 DIR | R/W | GPIO1 direction bit. Set to 1 for GPIO1 to act as an input, set to 0 for GPIO1 to act as an output. |

Table 97. REGISTER 0x81 – Interrupt Status Register 4 (Power-On Default = 0x00)

| Bit | Name | R/W | Description |
|-----|-------|-----|---|
| <0> | PCC | R | PECI Completion code interrupt |
| <1> | TTS | R | Logic 1 indicates that the THERM Timer limit has been exceeded. |
| <2> | GCOMM | R | Logic 1 indicates a COMM error resulting from a Generic PECI instruction |
| <3> | PECI1 | R | A logic 1 indicates that the PECI high or low limit has been exceeded by the PECI1 value. |
| <4> | PECI2 | R | A logic 1 indicates that the PECI high or low limit has been exceeded by the PECI2 value. |
| <5> | PECI3 | R | A logic 1 indicates that the PECI high or low limit has been exceeded by the PECI3 value. |

Table 97. REGISTER 0x81 – Interrupt Status Register 4 (Power-On Default = 0x00)

| Bit | Name | R/W | Description |
|-----|-----------------|-----|--|
| <6> | SMBCNT | R | Logic 1 indicates that the byte count returned by the SMBus Master Block Read is too low. If the PCH temperature only is required then the returned byte count should be 2 or greater. If DIMM temperatures are being read from the PCH then the returned byte count should be 9 or greater. |
| <7> | V _{TT} | R | A logic 1 indicates that the V _{TT} high or low limit has been exceeded. This bit is cleared on a read of the status register only if the error condition has subsided. |

Table 98. REGISTER 0x82 – Interrupt Mask Register 3 (Power-On Default = 0x00)

| Bit | Name | R/W | Description |
|-------|-------|-----|--|
| <0> | PECI0 | R/W | A logic 1 masks $\overline{\text{SMBALERT}}$ assertions for out-of-limit conditions on PECI0. |
| <1> | DATA | R/W | A logic 1 masks $\overline{\text{SMBALERT}}$ assertions for PECI Data errors. This also disables the fan over-ride function for PECI errors. |
| <2> | COMM | R/W | A logic 1 masks $\overline{\text{SMBALERT}}$ assertions for PECI communications errors. This also disables the fan over-ride function for PECI errors. |
| <3> | OVT | R/W | OVT = 1 masks $\overline{\text{SMBALERT}}$ for over temperature THERM conditions. |
| <6:4> | RES | R/W | Reserved |
| <7> | | R | Reserved |

NOTE: If the mask bits in register 0x82 are set it is also necessary to set the OOL mask bit in register 0x75 to ensure the $\overline{\text{SMBALERT}}$ output is not asserted.

Table 99. REGISTER 0x83 – Interrupt Mask Register 4 (Power-On Default = 0x00)

| Bit | Name | R/W | Description |
|-----|-----------------|-----|---|
| <0> | PCC | R/W | Logic 1 masks $\overline{\text{ALERT}}$ assertions for PECI completion codes. |
| <1> | TTS | R/W | Logic 1 masks assertions for THERM Timer status bit |
| <2> | GCOMM | R/W | Logic 1 masks the GCOMM PECI status bit |
| <3> | PECI1 | R/W | A logic 1 masks $\overline{\text{ALERT}}$ assertions for out-of-limit conditions on PECI1. |
| <4> | PECI2 | R/W | A logic 1 masks $\overline{\text{ALERT}}$ assertions for out-of-limit conditions on PECI2. |
| <5> | PECI3 | R/W | A logic 1 masks $\overline{\text{ALERT}}$ assertions for out-of-limit conditions on PECI3. |
| <6> | SMBCNT | R/W | Logic 1 masks $\overline{\text{ALERT}}$ assertions for incorrect byte count values returned by the Block Read command |
| <7> | V _{TT} | R/W | A logic 1 masks $\overline{\text{ALERT}}$ assertions for out-of-limit conditions on V _{TT} . |

NOTE: If the mask bits in register 0x83 are set it is also necessary to set the OOL mask bit in register 0x82 to ensure the $\overline{\text{SMBALERT}}$ output is not asserted.

Table 100. V_{TT} LOW LIMIT REGISTER

| Register Address | R/W | Description | Power-On Default |
|------------------|-----|---------------------------|------------------|
| 0x84 | R/W | V _{TT} Low Limit | 0x00 |

Table 101. REGISTER 0x85 – GPIO Config2 (Power-On Default = 0x80)

| Bit | Name | R/W | Description |
|-------|-----------|-----|---|
| <4:0> | Reserved | | |
| <5> | GPIO3 | R/W | If GPIO3 is set to input, this bit reflects the state of the pin. If GPIO3 is configured as an output, writing to this register asserts the output high or low depending on the polarity. |
| <6> | GPIO3 POL | R/W | GPIO3 polarity bit. Set to 0 for active low. Set to 1 for active high. |
| <7> | GPIO3 DIR | R/W | GPIO3 direction bit. Set to 1 for GPIO3 to act as an input, set to 0 for GPIO3 to act as an output, OOL must also be masked. |

Table 102. V_{TT} HIGH LIMIT REGISTER

| Register Address | R/W | Description | Power-On Default |
|------------------|-----|----------------------------|------------------|
| 0x86 | R/W | V _{TT} High Limit | 0xFF |

NCT7491

Table 103. REGISTER 0x87 – Configuration 9 (Power-On Default = 0x00)

| Bit | Name | R/W | Description |
|-----|----------|-----|--|
| <0> | PWM1OFF | R/W | 1 = Disables PWM1 |
| <1> | PWM2OFF | R/W | 1 = Disables PWM2 |
| <2> | PWM3OFF | R/W | 1 = Disables PWM3 |
| <3> | Reserved | R | |
| <4> | D0V | R/W | 1 = DIMM0 is populated, must be set to enable DIMM0 temperature to be written to CPU |
| <5> | D1V | R/W | 1 = DIMM1 is populated, must be set to enable DIMM1 temperature to be written to CPU |
| <6> | D2V | R/W | 1 = DIMM2 is populated, must be set to enable DIMM2 temperature to be written to CPU |
| <7> | D3V | R/W | 1 = DIMM3 is populated, must be set to enable DIMM3 temperature to be written to CPU |

Table 104. REGISTER 0x88 – PECI Configuration Register 2 (Power-On Default = 0x00)

| Bit | Name | R/W | Description |
|-------|------|-----|--|
| <2:0> | RES | R | RESERVED |
| <3> | DOM3 | R/W | CPU Domain Count information. Set to 0 indicates that CPU 4 associated with the PECI3 reading has a single domain (Default). Set to 1 indicates that the system CPU4 contains two domains. |
| <4> | DOM2 | R/W | CPU Domain Count information. Set to 0 indicates that CPU 3 associated with the PECI2 reading has a single domain (Default). Set to 1 indicates that the system CPU3 contains two domains. |
| <5> | DOM1 | R/W | CPU Domain Count information. Set to 0 indicates that CPU 2 associated with the PECI1 reading has a single domain (Default). Set to 1 indicates that the system CPU2 contains two domains. |
| <7:6> | #CPU | R/W | CPU Count. These bits indicate the number of CPU's in the system. That will provide PECI thermal information to the NCT7491. 00 = 1 CPU 01 = 2 CPUs 10 = 3 CPUs 11 = 4 CPUs |

Table 105. REGISTER 0x89 – Interrupt Status 7 (Power-On Default = 0x00)

| Bit | Name | R/W | Description |
|-----|---------|-----|--|
| <0> | OVT0 | R | 1 = PECI0 Tcontrol exceeded |
| <1> | OVT1 | R | 1 = PECI1 Tcontrol exceeded |
| <2> | OVT2 | R | 1 = PECI2 Tcontrol exceeded |
| <3> | OVT3 | R | 1 = PECI3 Tcontrol exceeded |
| <4> | OVT_R1 | R | 1 = Remote1 THERM exceeded |
| <5> | OVT_LOC | R | 1 = Local THERM exceeded |
| <6> | OVT_R2 | R | 1 = Remote2 THERM exceeded |
| <7> | OOL11 | R | 1 indicates an out of limit condition in register 0xBB |

Table 106. REGISTER 0x8A – PWM1 Source Control 1 (Power-On Default = 0x08)

| Bit | Name | R/W | Description |
|-----|----------|-----|---|
| <0> | LOC | R/W | Logic 1 enables Local temperature to control PWM1 in automatic fan control loop |
| <1> | REM1 | R/W | Logic 1 enables Remote1 temperature to control PWM1 in automatic fan control loop |
| <2> | REM2 | R/W | Logic 1 enables Remote2 temperature to control PWM1 in automatic fan control loop |
| <3> | PEC0 | R/W | Logic 1 enables PECI0 temperature to control PWM1 in automatic fan control loop |
| <4> | PEC1 | R/W | Logic 1 enables PECI1 temperature to control PWM1 in automatic fan control loop |
| <5> | PEC2 | R/W | Logic 1 enables PECI2 temperature to control PWM1 in automatic fan control loop |
| <6> | PEC3 | R/W | Logic 1 enables PECI3 temperature to control PWM1 in automatic fan control loop |
| <7> | Reserved | | |

NCT7491

Table 107. REGISTER 0x8B – PWM1 Source Control 2 (Power-On Default = 0x00)

| Bit | Name | R/W | Description |
|-----|------|-----|--|
| <0> | SMB0 | R/W | Logic 1 enables SMBus Slave Device 0 to control PWM1 in automatic fan control loop |
| <1> | SMB1 | R/W | Logic 1 enables SMBus Slave Device 1 to control PWM1 in automatic fan control loop |
| <2> | SMB2 | R/W | Logic 1 enables SMBus Slave Device 2 to control PWM1 in automatic fan control loop |
| <3> | SMB3 | R/W | Logic 1 enables SMBus Slave Device 3 to control PWM1 in automatic fan control loop |
| <4> | SMB4 | R/W | Logic 1 enables SMBus Slave Device 4 to control PWM1 in automatic fan control loop |
| <5> | SMB5 | R/W | Logic 1 enables SMBus Slave Device 5 to control PWM1 in automatic fan control loop |
| <6> | SMB6 | R/W | Logic 1 enables SMBus Slave Device 6 to control PWM1 in automatic fan control loop |
| <7> | SMB7 | R/W | Logic 1 enables SMBus Slave Device 7 to control PWM1 in automatic fan control loop |

Table 108. REGISTER 0x8C – PWM1 Source Control 3 (Power-On Default = 0x00)

| Bit | Name | R/W | Description |
|-----|----------|-----|--|
| <0> | PUSH0 | R/W | Logic 1 enables Externally written temperature 0 to control PWM1 in automatic fan control loop |
| <1> | PUSH1 | R/W | Logic 1 enables Externally written temperature 1 to control PWM1 in automatic fan control loop |
| <2> | PUSH2 | R/W | Logic 1 enables Externally written temperature 2 to control PWM1 in automatic fan control loop |
| <3> | PUSH3 | R/W | Logic 1 enables Externally written temperature 3 to control PWM1 in automatic fan control loop |
| <4> | Reserved | | |
| <5> | Reserved | | |
| <6> | Reserved | | |
| <7> | Reserved | | |

Table 109. REGISTER 0x8D – PWM2 Source Control 1 (Power-On Default = 0x00)

| Bit | Name | R/W | Description |
|-----|----------|-----|---|
| <0> | LOC | R/W | Logic 1 enables Local temperature to control PWM2 in automatic fan control loop |
| <1> | REM1 | R/W | Logic 1 enables Remote1 temperature to control PWM2 in automatic fan control loop |
| <2> | REM2 | R/W | Logic 1 enables Remote2 temperature to control PWM2 in automatic fan control loop |
| <3> | PEC0 | R/W | Logic 1 enables PECI0 temperature to control PWM2 in automatic fan control loop |
| <4> | PEC1 | R/W | Logic 1 enables PECI1 temperature to control PWM2 in automatic fan control loop |
| <5> | PEC2 | R/W | Logic 1 enables PECI2 temperature to control PWM2 in automatic fan control loop |
| <6> | PEC3 | R/W | Logic 1 enables PECI3 temperature to control PWM2 in automatic fan control loop |
| <7> | Reserved | | |

Table 110. REGISTER 0x8E – PWM2 Source Control 2 (Power-On Default = 0x00)

| Bit | Name | R/W | Description |
|-----|------|-----|--|
| <0> | SMB0 | R/W | Logic 1 enables SMBus Slave Device 0 to control PWM2 in automatic fan control loop |
| <1> | SMB1 | R/W | Logic 1 enables SMBus Slave Device 1 to control PWM2 in automatic fan control loop |
| <2> | SMB2 | R/W | Logic 1 enables SMBus Slave Device 2 to control PWM2 in automatic fan control loop |
| <3> | SMB3 | R/W | Logic 1 enables SMBus Slave Device 3 to control PWM2 in automatic fan control loop |
| <4> | SMB4 | R/W | Logic 1 enables SMBus Slave Device 4 to control PWM2 in automatic fan control loop |
| <5> | SMB5 | R/W | Logic 1 enables SMBus Slave Device 5 to control PWM2 in automatic fan control loop |
| <6> | SMB6 | R/W | Logic 1 enables SMBus Slave Device 6 to control PWM2 in automatic fan control loop |
| <7> | SMB7 | R/W | Logic 1 enables SMBus Slave Device 7 to control PWM2 in automatic fan control loop |

Table 111. REGISTER 0x8F – PWM2 Source Control 3 (Power-On Default = 0x00)

| Bit | Name | R/W | Description |
|-----|----------|-----|--|
| <0> | PUSH0 | R/W | Logic 1 enables Externally written temperature 0 to control PWM2 in automatic fan control loop |
| <1> | PUSH1 | R/W | Logic 1 enables Externally written temperature 1 to control PWM2 in automatic fan control loop |
| <2> | PUSH2 | R/W | Logic 1 enables Externally written temperature 2 to control PWM2 in automatic fan control loop |
| <3> | PUSH3 | R/W | Logic 1 enables Externally written temperature 3 to control PWM2 in automatic fan control loop |
| <4> | Reserved | | |
| <5> | Reserved | | |
| <6> | Reserved | | |
| <7> | Reserved | | |

Table 112. REGISTER 0x90 – PWM3 Source Control 1 (Power-On Default = 0x00)

| Bit | Name | R/W | Description |
|-----|----------|-----|---|
| <0> | LOC | R/W | Logic 1 enables Local temperature to control PWM3 in automatic fan control loop |
| <1> | REM1 | R/W | Logic 1 enables Remote1 temperature to control PWM3 in automatic fan control loop |
| <2> | REM2 | R/W | Logic 1 enables Remote2 temperature to control PWM3 in automatic fan control loop |
| <3> | PEC0 | R/W | Logic 1 enables PECI0 temperature to control PWM3 in automatic fan control loop |
| <4> | PEC1 | R/W | Logic 1 enables PECI1 temperature to control PWM3 in automatic fan control loop |
| <5> | PEC2 | R/W | Logic 1 enables PECI2 temperature to control PWM3 in automatic fan control loop |
| <6> | PEC3 | R/W | Logic 1 enables PECI3 temperature to control PWM3 in automatic fan control loop |
| <7> | Reserved | | |

Table 113. REGISTER 0x91 – PWM3 Source Control 2 (Power-On Default = 0x00)

| Bit | Name | R/W | Description |
|-----|------|-----|--|
| <0> | SMB0 | R/W | Logic 1 enables SMBus Slave Device 0 to control PWM3 in automatic fan control loop |
| <1> | SMB1 | R/W | Logic 1 enables SMBus Slave Device 1 to control PWM3 in automatic fan control loop |
| <2> | SMB2 | R/W | Logic 1 enables SMBus Slave Device 2 to control PWM3 in automatic fan control loop |
| <3> | SMB3 | R/W | Logic 1 enables SMBus Slave Device 3 to control PWM3 in automatic fan control loop |
| <4> | SMB4 | R/W | Logic 1 enables SMBus Slave Device 4 to control PWM3 in automatic fan control loop |
| <5> | SMB5 | R/W | Logic 1 enables SMBus Slave Device 5 to control PWM3 in automatic fan control loop |
| <6> | SMB6 | R/W | Logic 1 enables SMBus Slave Device 6 to control PWM3 in automatic fan control loop |
| <7> | SMB7 | R/W | Logic 1 enables SMBus Slave Device 7 to control PWM3 in automatic fan control loop |

Table 114. REGISTER 0x92 – PWM3 Source Control 3 (Power-On Default = 0x00)

| Bit | Name | R/W | Description |
|-----|----------|-----|--|
| <0> | PUSH0 | R/W | Logic 1 enables Externally written temperature 0 to control PWM3 in automatic fan control loop |
| <1> | PUSH1 | R/W | Logic 1 enables Externally written temperature 1 to control PWM3 in automatic fan control loop |
| <2> | PUSH2 | R/W | Logic 1 enables Externally written temperature 2 to control PWM3 in automatic fan control loop |
| <3> | PUSH3 | R/W | Logic 1 enables Externally written temperature 3 to control PWM3 in automatic fan control loop |
| <4> | Reserved | | |
| <5> | Reserved | | |
| <6> | Reserved | | |
| <7> | Reserved | | |

NCT7491

Table 115. DEVICE ID REGISTER

| Register Address | R/W | Description | Power-On Default |
|------------------|------|-----------------|------------------|
| 0x93 | Read | Device Revision | |

Table 116. PECI OFFSET REGISTERS

| Register Address | R/W | Description | Power-On Default |
|------------------|-----|--------------|------------------|
| 0x94 | R/W | PECI0 Offset | 0x00 |
| 0x95 | R/W | PECI1 Offset | 0x00 |
| 0x96 | R/W | PECI2 Offset | 0x00 |
| 0x97 | R/W | PECI3 Offset | 0x00 |

Table 117. SMBus MASTER ADDRESS TABLE

| Register Address | R/W | Description | Default |
|------------------|-----|--|---------|
| 0x98 | R/W | Device 0 (PCH) SMBus Address | 0x00 |
| 0x99 | R/W | Device 0 (PCH) Block Read command code | 0x40 |
| 0x9A | R/W | Device 1 SMBus Address | 0x00 |
| 0x9B | R/W | Device 1 Temperature Address Pointer | 0x00 |
| 0x9C | R/W | Device 2 SMBus Address | 0x00 |
| 0x9D | R/W | Device 2 Temperature Address Pointer | 0x00 |
| 0x9E | R/W | Device 3 SMBus Address | 0x00 |
| 0x9F | R/W | Device 3 Temperature Address Pointer | 0x00 |
| 0xA0 | R/W | Device 4 SMBus Address | 0x00 |
| 0xA1 | R/W | Device 4 Temperature Address Pointer | 0x00 |
| 0xA2 | R/W | Device 5 SMBus Address | 0x00 |
| 0xA3 | R/W | Device 5 Temperature Address Pointer | 0x00 |
| 0xA4 | R/W | Device 6 SMBus Address | 0x00 |
| 0xA5 | R/W | Device 6 Temperature Address Pointer | 0x00 |
| 0xA6 | R/W | Device 7 SMBus Address | 0x00 |
| 0xA7 | R/W | Device 7 Temperature Address Pointer | 0x00 |

Table 118. SMBus MASTER TEMPERATURE VALUES

| Register Address | R/W | Description | Default |
|------------------|-----|------------------------------------|---------|
| 0xA8 | R/W | SMBus Device 0 (PCH) Temperature | 0x80 |
| 0xA9 | R/W | SMBus Device 1 (DIMM0) Temperature | 0x80 |
| 0xAA | R/W | SMBus Device 2 (DIMM1) Temperature | 0x80 |
| 0xAB | R/W | SMBus Device 3 (DIMM2) Temperature | 0x80 |
| 0xAC | R/W | SMBus Device 4 (DIMM3) Temperature | 0x80 |
| 0xAD | R/W | SMBus Device 5 Temperature | 0x80 |
| 0xAE | R/W | SMBus Device 6 Temperature | 0x80 |
| 0xAF | R/W | SMBus Device 7 Temperature | 0x80 |

Table 119. Register 0xB0 – SMBus Master Configuration 1 (Power-On Default = 0xFF)

| Bit | Name | R/W | Description |
|-----|------|-----|--|
| <0> | RS0 | R/W | Logic 1 enables the Repeated Start protocol for SMBus Slave Device 0 |
| <1> | RS1 | R/W | Logic 1 enables the Repeated Start protocol for SMBus Slave Device 1 |

NCT7491

Table 119. Register 0xB0 – SMBus Master Configuration 1 (Power-On Default = 0xFF)

| Bit | Name | R/W | Description |
|-----|------|-----|--|
| <2> | RS2 | R/W | Logic 1 enables the Repeated Start protocol for SMBus Slave Device 2 |
| <3> | RS3 | R/W | Logic 1 enables the Repeated Start protocol for SMBus Slave Device 3 |
| <4> | RS4 | R/W | Logic 1 enables the Repeated Start protocol for SMBus Slave Device 4 |
| <5> | RS5 | R/W | Logic 1 enables the Repeated Start protocol for SMBus Slave Device 5 |
| <6> | RS6 | R/W | Logic 1 enables the Repeated Start protocol for SMBus Slave Device 6 |
| <7> | RS7 | R/W | Logic 1 enables the Repeated Start protocol for SMBus Slave Device 7 |

Table 120. REGISTER 0xB1 – SMBus Master Configuration 2 (Power-On Default = 0x00)

| Bit | Name | R/W | Description |
|-----|------|-----|---|
| <0> | PEC0 | R/W | Logic 1 enables PEC byte support for SMBus Slave Device 0 |
| <1> | PEC1 | R/W | Logic 1 enables PEC byte support for SMBus Slave Device 1 |
| <2> | PEC2 | R/W | Logic 1 enables PEC byte support for SMBus Slave Device 2 |
| <3> | PEC3 | R/W | Logic 1 enables PEC byte support for SMBus Slave Device 3 |
| <4> | PEC4 | R/W | Logic 1 enables PEC byte support for SMBus Slave Device 4 |
| <5> | PEC5 | R/W | Logic 1 enables PEC byte support for SMBus Slave Device 5 |
| <6> | PEC6 | R/W | Logic 1 enables PEC byte support for SMBus Slave Device 6 |
| <7> | PEC7 | R/W | Logic 1 enables PEC byte support for SMBus Slave Device 7 |

Table 121. REGISTER 0xB2 – SMBus Master Configuration 3 (Power-On Default = 0x03)

| Bit | Name | R/W | Description |
|-------|-------|-----|--|
| <1:0> | TMFT0 | R/W | SMBus Device 0 temperature format: 00 = 8-bit 2's Complement 01 = JEDEC SPD format 10 = 8-bit straight binary 11 = Block reads enabled |
| <3:2> | TMFT1 | R/W | SMBus Device 1 temperature format: 00 = 8-bit 2's Complement 01 = JEDEC SPD format 10 = 8-bit straight binary 11 = Block reads enabled |
| <5:4> | TMFT2 | R/W | SMBus Device 2 temperature format: 00 = 8-bit 2's Complement 01 = JEDEC SPD format 10 = 8-bit straight binary 11 = Block reads enabled |
| <7:6> | TMFT3 | R/W | SMBus Device 3 temperature format: 00 = 8-bit 2's Complement 01 = JEDEC SPD format 10 = 8-bit straight binary 11 = Block reads enabled |

NCT7491

Table 122. REGISTER 0xB3 – SMBus Master Configuration 4 (Power-On Default = 0x00)

| Bit | Name | R/W | Description |
|-------|-------|-----|---|
| <1:0> | TMFT4 | R/W | SMBus Device 4 temperature format: 00 = 8-bit 2's Complement 01 = JEDEC SPD format 10 = 8-bit straight binary 11 = Reserved |
| <3:2> | TMFT5 | R/W | SMBus Device 5 temperature format: 00 = 8-bit 2's Complement 01 = JEDEC SPD format 10 = 8-bit straight binary 11 = Literal Format |
| <5:4> | TMFT6 | R/W | SMBus Device 6 temperature format: 00 = 8-bit 2's Complement 01 = JEDEC SPD format 10 = 8-bit straight binary 11 = Literal Format |
| <7:6> | TMFT7 | R/W | SMBus Device 7 temperature format: 00 = 8-bit 2's Complement 01 = JEDEC SPD format 10 = 8-bit straight binary 11 = Literal Format |

Table 123. REGISTER 0xB5 – SMBus Master Configuration 5 (Power-On Default = 0x08)

| Bit | Name | R/W | Description |
|-------|---------|-----|---|
| <0> | SMBEN | R/W | 0 = SMBus Master disabled 1 = SMBus Master enabled |
| <4:1> | SHYS | R/W | SMBus Device temperature hysteresis |
| <5> | R1DIMM | R/W | 1 = Over-write DIMM0/DIMM1 value registers with Remote1 value |
| <6> | R2DIMM | R/W | 1 = Over-write DIMM2/DIMM3 value registers with Remote2 value |
| <7> | PCHDIMM | R/W | 1 = Read DIMM temperatures from PCH. This setting overrides bits 5 and 6 of this register. 0 = Read DIMM temperatures from SMBus digital sensors |

Table 124. REGISTER 0xB6 – SMBus Master Status 1 (Power-On Default = 0x00)

| Bit | Name | R/W | Description |
|-----|-------|------|--|
| <0> | NACK0 | Read | Logic 1 indicates a No Acknowledge from SMBus Device 0 |
| <1> | NACK1 | Read | Logic 1 indicates a No Acknowledge from SMBus Device 1 |
| <2> | NACK2 | Read | Logic 1 indicates a No Acknowledge from SMBus Device 2 |
| <3> | NACK3 | Read | Logic 1 indicates a No Acknowledge from SMBus Device 3 |
| <4> | NACK4 | Read | Logic 1 indicates a No Acknowledge from SMBus Device 4 |
| <5> | NACK5 | Read | Logic 1 indicates a No Acknowledge from SMBus Device 5 |
| <6> | NACK6 | Read | Logic 1 indicates a No Acknowledge from SMBus Device 6 |
| <7> | NACK7 | Read | Logic 1 indicates a No Acknowledge from SMBus Device 7 |

Table 125. REGISTER 0xB7 – SMBus Master Status 2 (Power-On Default = 0x00)

| Bit | Name | R/W | Description |
|-----|------|------|---|
| <0> | PEC0 | Read | Logic 1 indicates an SMBus Device 0 PEC error |
| <1> | PEC1 | Read | Logic 1 indicates an SMBus Device 1 PEC error |
| <2> | PEC2 | Read | Logic 1 indicates an SMBus Device 2 PEC error |
| <3> | PEC3 | Read | Logic 1 indicates an SMBus Device 3 PEC error |

NCT7491

Table 125. REGISTER 0xB7 – SMBus Master Status 2 (Power-On Default = 0x00)

| Bit | Name | R/W | Description |
|-----|------|------|---|
| <4> | PEC4 | Read | Logic 1 indicates an SMBus Device 4 PEC error |
| <5> | PEC5 | Read | Logic 1 indicates an SMBus Device 5 PEC error |
| <6> | PEC6 | Read | Logic 1 indicates an SMBus Device 6 PEC error |
| <7> | PEC7 | Read | Logic 1 indicates an SMBus Device 7 PEC error |

Table 126. REGISTER 0xB8 – SMBus Master Status 3 (Power-On Default = 0x00)

| Bit | Name | R/W | Description |
|-----|------|------|---|
| <0> | TO0 | Read | Logic 1 indicates an SMBus Device 0 timeout error |
| <1> | TO1 | Read | Logic 1 indicates an SMBus Device 1 timeout error |
| <2> | TO2 | Read | Logic 1 indicates an SMBus Device 2 timeout error |
| <3> | TO3 | Read | Logic 1 indicates an SMBus Device 3 timeout error |
| <4> | TO4 | Read | Logic 1 indicates an SMBus Device 4 timeout error |
| <5> | TO5 | Read | Logic 1 indicates an SMBus Device 5 timeout error |
| <6> | TO6 | Read | Logic 1 indicates an SMBus Device 6 timeout error |
| <7> | TO7 | Read | Logic 1 indicates an SMBus Device 7 timeout error |

Table 127. REGISTER 0xB9 – SMBus Master Status 4 (Power-On Default = 0x00)

| Bit | Name | R/W | Description |
|-----|-------|------|--|
| <0> | HILO0 | Read | Logic 1 indicates that the SMBus Device 0 reading is out of limits |
| <1> | HILO1 | Read | Logic 1 indicates that the SMBus Device 1 reading is out of limits |
| <2> | HILO2 | Read | Logic 1 indicates that the SMBus Device 2 reading is out of limits |
| <3> | HILO3 | Read | Logic 1 indicates that the SMBus Device 3 reading is out of limits |
| <4> | HILO4 | Read | Logic 1 indicates that the SMBus Device 4 reading is out of limits |
| <5> | HILO5 | Read | Logic 1 indicates that the SMBus Device 5 reading is out of limits |
| <6> | HILO6 | Read | Logic 1 indicates that the SMBus Device 6 reading is out of limits |
| <7> | HILO7 | Read | Logic 1 indicates that the SMBus Device 7 reading is out of limits |

Table 128. REGISTER 0Xba – SMBus Master Status 5 (Power-On Default = 0x00)

| Bit | Name | R/W | Description |
|-----|----------|------|---|
| <0> | TIV0 | Read | Logic 1 indicates that the PCH returned a reserved temperature code |
| <1> | TIV1 | Read | Logic 1 indicates that the PCH returned a reserved temperature code |
| <2> | TIV2 | Read | Logic 1 indicates that the PCH returned a reserved temperature code |
| <3> | TIV3 | Read | Logic 1 indicates that the PCH returned a reserved temperature code |
| <4> | TIV4 | Read | Logic 1 indicates that the PCH returned a reserved temperature code |
| <5> | Reserved | Read | Reserved |
| <6> | Reserved | Read | Reserved |
| <7> | Reserved | Read | Reserved |

Table 129. REGISTER 0Xbb – SMBus Master Status 6 (Power-On Default = 0x00)

| Bit | Name | R/W | Description |
|-----|------|------|---|
| <0> | TH0 | Read | Logic 1 indicates that the SMBus Device 0 reading is above the programmed THERM Limit |
| <1> | TH1 | Read | Logic 1 indicates that the SMBus Device 1 reading is above the programmed THERM Limit |
| <2> | TH2 | Read | Logic 1 indicates that the SMBus Device 2 reading is above the programmed THERM Limit |

Table 129. REGISTER 0Xbb – SMBus Master Status 6 (Power-On Default = 0x00)

| Bit | Name | R/W | Description |
|-----|------|------|---|
| <3> | TH3 | Read | Logic 1 indicates that the SMBus Device 3 reading is above the programmed THERM Limit |
| <4> | TH4 | Read | Logic 1 indicates that the SMBus Device 4 reading is above the programmed THERM Limit |
| <5> | TH5 | Read | Logic 1 indicates that the SMBus Device 5 reading is above the programmed THERM Limit |
| <6> | TH6 | Read | Logic 1 indicates that the SMBus Device 6 reading is above the programmed THERM Limit |
| <7> | TH7 | Read | Logic 1 indicates that the SMBus Device 7 reading is above the programmed THERM Limit |

Table 130. REGISTER 0xBC – SMBus Master Mask 1 (Power-On Default = 0x00)

| Bit | Name | R/W | Description |
|-----|-------|-----|---|
| <0> | NACK0 | R/W | Logic 1 masks a No Acknowledge assertion for SMBus Device 0 |
| <1> | NACK1 | R/W | Logic 1 masks a No Acknowledge assertion for SMBus Device 1 |
| <2> | NACK2 | R/W | Logic 1 masks a No Acknowledge assertion for SMBus Device 2 |
| <3> | NACK3 | R/W | Logic 1 masks a No Acknowledge assertion for SMBus Device 3 |
| <4> | NACK4 | R/W | Logic 1 masks a No Acknowledge assertion for SMBus Device 4 |
| <5> | NACK5 | R/W | Logic 1 masks a No Acknowledge assertion for SMBus Device 5 |
| <6> | NACK6 | R/W | Logic 1 masks a No Acknowledge assertion for SMBus Device 6 |
| <7> | NACK7 | R/W | Logic 1 masks a No Acknowledge assertion for SMBus Device 7 |

Table 131. REGISTER 0xBD – SMBus Master Mask 2 (Power-On Default = 0x00)

| Bit | Name | R/W | Description |
|-----|------|-----|--|
| <0> | PEC0 | R/W | Logic 1 masks a PEC error assertion for SMBus Device 0 |
| <1> | PEC1 | R/W | Logic 1 masks a PEC error assertion for SMBus Device 1 |
| <2> | PEC2 | R/W | Logic 1 masks a PEC error assertion for SMBus Device 2 |
| <3> | PEC3 | R/W | Logic 1 masks a PEC error assertion for SMBus Device 3 |
| <4> | PEC4 | R/W | Logic 1 masks a PEC error assertion for SMBus Device 4 |
| <5> | PEC5 | R/W | Logic 1 masks a PEC error assertion for SMBus Device 5 |
| <6> | PEC6 | R/W | Logic 1 masks a PEC error assertion for SMBus Device 6 |
| <7> | PEC7 | R/W | Logic 1 masks a PEC error assertion for SMBus Device 7 |

Table 132. REGISTER 0Xbe – SMBus Master Mask 3 (Power-On Default = 0x00)

| Bit | Name | R/W | Description |
|-----|------|-----|--|
| <0> | TO0 | R/W | Logic 1 masks a timeout error assertion for SMBus Device 0 |
| <1> | TO1 | R/W | Logic 1 masks a timeout error assertion for SMBus Device 1 |
| <2> | TO2 | R/W | Logic 1 masks a timeout error assertion for SMBus Device 2 |
| <3> | TO3 | R/W | Logic 1 masks a timeout error assertion for SMBus Device 3 |
| <4> | TO4 | R/W | Logic 1 masks a timeout error assertion for SMBus Device 4 |
| <5> | TO5 | R/W | Logic 1 masks a timeout error assertion for SMBus Device 5 |
| <6> | TO6 | R/W | Logic 1 masks a timeout error assertion for SMBus Device 6 |
| <7> | TO7 | R/W | Logic 1 masks a timeout error assertion for SMBus Device 7 |

Table 133. REGISTER 0Xbf – SMBus Master Mask 4 (Power-On Default = 0x00)

| Bit | Name | R/W | Description |
|-----|-------|-----|---|
| <0> | HILO0 | R/W | Logic 1 masks limit assertions for SMBus Device 0 |
| <1> | HILO1 | R/W | Logic 1 masks limit assertions for SMBus Device 1 |

NCT7491

Table 133. REGISTER 0Xbf – SMBus Master Mask 4 (Power–On Default = 0x00)

| Bit | Name | R/W | Description |
|-----|-------|-----|---|
| <2> | HILO2 | R/W | Logic 1 masks limit assertions for SMBus Device 2 |
| <3> | HILO3 | R/W | Logic 1 masks limit assertions for SMBus Device 3 |
| <4> | HILO4 | R/W | Logic 1 masks limit assertions for SMBus Device 4 |
| <5> | HILO5 | R/W | Logic 1 masks limit assertions for SMBus Device 5 |
| <6> | HILO6 | R/W | Logic 1 masks limit assertions for SMBus Device 6 |
| <7> | HILO7 | R/W | Logic 1 masks limit assertions for SMBus Device 7 |

Table 134. REGISTER 0xC0 – SMBus Master Mask 5 (Power–On Default = 0x00)

| Bit | Name | R/W | Description |
|-----|------|-----|---|
| <0> | TIV0 | R/W | Logic 1 masks data invalid assertion for SMBus Device 0 |
| <1> | TIV1 | R/W | Logic 1 masks data invalid assertion for SMBus Device 1 |
| <2> | TIV2 | R/W | Logic 1 masks data invalid assertion for SMBus Device 2 |
| <3> | TIV3 | R/W | Logic 1 masks data invalid assertion for SMBus Device 3 |
| <4> | TIV4 | R/W | Logic 1 masks data invalid assertion for SMBus Device 4 |
| <5> | TIV5 | R/W | Logic 1 masks data invalid assertion for SMBus Device 5 |
| <6> | TIV6 | R/W | Logic 1 masks data invalid assertion for SMBus Device 6 |
| <7> | TIV7 | R/W | Logic 1 masks data invalid assertion for SMBus Device 7 |

Table 135. SMBus MASTER LIMIT REGISTERS

| Register Address | R/W | Description | Power–On Default |
|------------------|-----|---|------------------|
| 0xC1 | R/W | SMBus Device High Limit. Programmed as an unsigned 8–bit value | 0x7F |
| 0xC2 | R/W | SMBus Device Low Limit. Programmed as an 8–bit 2’s complement value. | 0x81 |

Table 136. SMBus MASTER THERM LIMIT REGISTERS

| Register Address | R/W | Description | Power–On Default |
|------------------|-----|--|------------------|
| 0xC3 | R/W | SMBus Device THERM Limit. Programmed as an unsigned 8–bit value | 0x64 |

Table 137. SMBus DEVICE TMIN REGISTER

| Register Address | R/W | Description | Power–On Default |
|------------------|-----|---|------------------|
| 0xC6 | R/W | SMBus Device Tmin value. This sets the the temperature at which fans controlled by any SMBus slave device will turn on. Programmed as an unsigned 8–bit value in the range 0°C to 175°C. | 0x5A |

NCT7491

Table 138. REGISTER 0xC7 – SMBus Master Trange/Interval (Power–On Default = 0x0C)

| Bit | Name | R/W | Description |
|-------|----------|-----|--|
| <3:0> | RNG | R/W | These bits determine the PWM duty cycle vs. the temperature range for automatic fan control. 0000 = 2°C 0001 = 2.5°C 0010 = 3.33°C 0011 = 4°C 0100 = 5°C 0101 = 6.67°C 0110 = 8°C 0111 = 10°C 1000 = 13.33°C 1001 = 16°C 1010 = 20°C 1011 = 26.67°C 1100 = 32°C (default) 1101 = 40°C 1110 = 53.33°C 1111 = 80°C |
| <5:4> | Reserved | | |
| <7:6> | SMBINT | R/W | Sets the SMBus Master loop time 00 = 250 ms 01 = 500 ms 10 = 750 ms 11 = 1 sec |

Table 139. PUSH TEMPERATURE REGISTERS

| Register Address | R/W | Description | Power–On Default |
|------------------|-----|---|------------------|
| 0xC8 | R/W | Push0. This register is programmable by an external master to allow temperatures gathered externally to be used by the NCT7491 fan control loop | 0x00 |
| 0xC9 | R/W | Push1. This register is programmable by an external master to allow temperatures gathered externally to be used by the NCT7491 fan control loop | 0x00 |
| 0xCA | R/W | Push2. This register is programmable by an external master to allow temperatures gathered externally to be used by the NCT7491 fan control loop | 0x00 |
| 0xCB | | Push3. This register is programmable by an external master to allow temperatures gathered externally to be used by the NCT7491 fan control loop | 0x00 |

Table 140. PUSH TMIN REGISTER

| Register Address | R/W | Description | Power–On Default |
|------------------|-----|---|------------------|
| 0xCC | R/W | Push Device Tmin value. This sets the the temperature at which fans controlled by any SMBus slave device will turn on. This value applies to all 4 Push temperature registers. This value should be programmed in the range 0°C to 127°C | 0x5A |

NCT7491

Table 141. REGISTER 0xCD – Push Trange (Power–On Default = 0x0C)

| Bit | Name | R/W | Description |
|-------|----------|-----|--|
| <3:0> | RNG | R/W | These bits determine the PWM duty cycle vs. the temperature range for automatic fan control. 0000 = 2°C 0001 = 2.5°C 0010 = 3.33°C 0011 = 4°C 0100 = 5°C 0101 = 6.67°C 0110 = 8°C 0111 = 10°C 1000 = 13.33°C 1001 = 16°C 1010 = 20°C 1011 = 26.67°C 1100 = 32°C (default) 1101 = 40°C 1110 = 53.33°C 1111 = 80°C |
| <7:4> | Reserved | | |

Table 142. PUSH TEMPERATURE LIMIT REGISTERS

| Register Address | R/W | Description | Power–On Default |
|------------------|-----|------------------|------------------|
| 0xCE | R/W | Push High Limit | 0x7F |
| 0xCF | R/W | Push Low Limit | 0x81 |
| 0xD0 | R/W | Push THERM Limit | 0x64 |

Table 143. GENERIC PECI INTERFACE BLOCK

| Register Address | R/W | Description | Default |
|------------------|-----|--|---------|
| 0xD1 | R/W | Generic PECI CPU Address. This sets the target processor address for the PECI command | 0x00 |
| 0xD2 | R/W | Write Length. This sets the number of byte transferred to the target device when the command is executed | 0x00 |
| 0xD3 | R/W | Read Length. This specifies the number of bytes to be returned by the target. | 0x00 |
| 0xD4 | R/W | WRDAT0; The 1 st byte to be transferred (Command Code) | 0x00 |
| 0xD5 | R/W | WRDAT1; 2 nd byte to be transferred | 0x00 |
| 0xD6 | R/W | WRDAT2; 3 rd byte to be transferred | 0x00 |
| 0xD7 | R/W | WRDAT3; 4 th byte to be transferred | 0x00 |
| 0xD8 | R/W | WRDAT4; 5 th byte to be transferred | 0x00 |
| 0xD9 | R/W | WRDAT5; 6th byte to be transferred | 0x00 |
| 0xDA | R/W | WRDAT6; 7th byte to be transferred | 0x00 |
| 0xDB | R/W | WRDAT7; 8th byte to be transferred | 0x00 |
| 0xDC | R/W | WRDAT8; 9th byte to be transferred | 0x00 |
| 0xDD | R/W | WRDAT9; 10th byte to be transferred | 0x00 |
| 0xDE | R/W | WRDAT10; 11th byte to be transferred | 0x00 |
| 0xDF | R/W | WRDAT11; 12th byte to be transferred | 0x00 |
| 0xE0 | R/W | WRDAT12; 13th byte to be transferred | 0x00 |
| 0xE1 | R/W | RDDAT0; The 1 st byte returned | 0x00 |
| 0xE2 | R/W | RDDAT1; The 2 nd byte returned | 0x00 |
| 0xE3 | R/W | RDDAT2; The 3 rd byte returned | 0x00 |
| 0xE4 | R/W | RDDAT3; The 4 th byte returned | 0x00 |
| 0xE5 | R/W | RDDAT4; The 5 th byte returned | 0x00 |

NCT7491

Table 143. GENERIC PECI INTERFACE BLOCK

| Register Address | R/W | Description | Default |
|------------------|-----|---|---------|
| 0xE6 | R/W | RDDAT5; The 6 th byte returned | 0x00 |
| 0xE7 | R/W | RDDAT6; The 7 th byte returned | 0x00 |
| 0xE8 | R/W | RDDAT6; The 8 th byte returned | 0x00 |
| 0xE9 | R/W | RDDAT6; The 9 th byte returned | 0x00 |

Table 144. REGISTER 0xEA – PECI Configuration 5 (Power-On Default = 0x00)

| Bit | Name | R/W | Description |
|-------|----------|-----|--|
| <0> | Reserved | | |
| <1> | AW | R/W | Logic 1 indicates that the command is an Assured Write command. The AW byte is automatically calculated and appended by the NCT7491. Even though the user does not program the AW value the Write Length register for an Assured Write command should include the AW byte (for example, if 5 bytes are to be written the Write length register should be set to 6 as the AW byte will be added to the end of the write sequence) |
| <2> | PEX | R/W | Logic 1 will cause the programmed PECI command sequence to be executed. This bit will automatically clear when the command has completed. |
| <7:3> | Reserved | | |

Table 145. REGISTER 0xEB – Push Hysteresis (Power-On Default = 0x04)

| Bit | Name | R/W | Description |
|-------|-----------|-----|--|
| <3:0> | Push Hyst | R/W | Sets the hysteresis value associated with the Push temperature registers |
| <7:4> | Reserved | | |

Table 146. REGISTER 0xFF – Page Select

| Bit | Name | R/W | Description |
|-------|----------|-----|---------------------------------|
| <0> | RGMP | R/W | 1 = Selects register map page 1 |
| <7:1> | Reserved | R | |

Table 147. FAN1 LOOK UP TABLE

| Register Address | R/W | Description | Default |
|------------------|-----|---|---------|
| 0x100 | R/W | Sets the temperature for the 1st LUT point for Fan1 | 0x00 |
| 0x101 | R/W | Sets the PWM output for the 1st LUT point for Fan1 | 0xFF |
| 0x102 | R/W | Sets the temperature for the 2nd LUT point for Fan1 | 0x00 |
| 0x103 | R/W | Sets the PWM output for the 2nd LUT point for Fan1 | 0xFF |
| 0x104 | R/W | Sets the temperature for the 3rd LUT point for Fan1 | 0x00 |
| 0x105 | R/W | Sets the PWM output for the 3rd LUT point for Fan1 | 0xFF |
| 0x106 | R/W | Sets the temperature for the 4th LUT point for Fan1 | 0x00 |
| 0x107 | R/W | Sets the PWM output for the 4th LUT point for Fan1 | 0xFF |
| 0x108 | R/W | Sets the temperature for the 5th LUT point for Fan1 | 0x00 |
| 0x109 | R/W | Sets the PWM output for the 5th LUT point for Fan1 | 0xFF |
| 0x10A | R/W | Sets the temperature for the 6th LUT point for Fan1 | 0x00 |
| 0x10B | R/W | Sets the PWM output for the 6th LUT point for Fan1 | 0xFF |
| 0x10C | R/W | Sets the temperature for the 7th LUT point for Fan1 | 0x00 |
| 0x10D | R/W | Sets the PWM output for the 7th LUT point for Fan1 | 0xFF |
| 0x10E | R/W | Sets the temperature for the 8th LUT point for Fan1 | 0x00 |
| 0x10F | R/W | Sets the PWM output for the 8th LUT point for Fan1 | 0xFF |

NCT7491

Table 148. FAN2 LOOK UP TABLE

| Register Address | R/W | Description | Default |
|------------------|-----|---|---------|
| 0x110 | R/W | Sets the temperature for the 1st LUT point for Fan2 | 0xFF |
| 0x111 | R/W | Sets the PWM output for the 1st LUT point for Fan2 | 0xFF |
| 0x112 | R/W | Sets the temperature for the 2nd LUT point for Fan2 | 0xFF |
| 0x113 | R/W | Sets the PWM output for the 2nd LUT point for Fan2 | 0xFF |
| 0x114 | R/W | Sets the temperature for the 3rd LUT point for Fan2 | 0xFF |
| 0x115 | R/W | Sets the PWM output for the 3rd LUT point for Fan2 | 0xFF |
| 0x116 | R/W | Sets the temperature for the 4th LUT point for Fan2 | 0xFF |
| 0x117 | R/W | Sets the PWM output for the 4th LUT point for Fan2 | 0xFF |
| 0x118 | R/W | Sets the temperature for the 5th LUT point for Fan2 | 0xFF |
| 0x119 | R/W | Sets the PWM output for the 5th LUT point for Fan2 | 0xFF |
| 0x11A | R/W | Sets the temperature for the 6th LUT point for Fan2 | 0xFF |
| 0x11B | R/W | Sets the PWM output for the 6th LUT point for Fan2 | 0xFF |
| 0x11C | R/W | Sets the temperature for the 7th LUT point for Fan2 | 0xFF |
| 0x11D | R/W | Sets the PWM output for the 7th LUT point for Fan2 | 0xFF |
| 0x11E | R/W | Sets the temperature for the 8th LUT point for Fan2 | 0xFF |
| 0x11F | R/W | Sets the PWM output for the 8th LUT point for Fan2 | 0xFF |

Table 149. FAN3 LOOK UP TABLE

| Register Address | R/W | Description | Default |
|------------------|-----|---|---------|
| 0x120 | R/W | Sets the temperature for the 1st LUT point for Fan3 | 0xFF |
| 0x121 | R/W | Sets the PWM output for the 1st LUT point for Fan3 | 0xFF |
| 0x122 | R/W | Sets the temperature for the 2nd LUT point for Fan3 | 0xFF |
| 0x123 | R/W | Sets the PWM output for the 2nd LUT point for Fan3 | 0xFF |
| 0x124 | R/W | Sets the temperature for the 3rd LUT point for Fan3 | 0xFF |
| 0x125 | R/W | Sets the PWM output for the 3rd LUT point for Fan3 | 0xFF |
| 0x126 | R/W | Sets the temperature for the 4th LUT point for Fan3 | 0xFF |
| 0x127 | R/W | Sets the PWM output for the 4th LUT point for Fan3 | 0xFF |
| 0x128 | R/W | Sets the temperature for the 5th LUT point for Fan3 | 0xFF |
| 0x129 | R/W | Sets the PWM output for the 5th LUT point for Fan3 | 0xFF |
| 0x12A | R/W | Sets the temperature for the 6th LUT point for Fan3 | 0xFF |
| 0x12B | R/W | Sets the PWM output for the 6th LUT point for Fan3 | 0xFF |
| 0x12C | R/W | Sets the temperature for the 7th LUT point for Fan3 | 0xFF |
| 0x12D | R/W | Sets the PWM output for the 7th LUT point for Fan3 | 0xFF |
| 0x12E | R/W | Sets the temperature for the 8th LUT point for Fan3 | 0xFF |
| 0x12F | R/W | Sets the PWM output for the 8th LUT point for Fan3 | 0xFF |

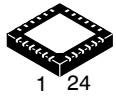
Table 150. REGISTER 0x1FF – Page Select Clear

| Bit | Name | R/W | Description |
|-------|----------|-----|---------------------------------|
| <0> | RGMP | R/W | 0 = Selects register map page 0 |
| <7:1> | Reserved | R | |

MECHANICAL CASE OUTLINE

PACKAGE DIMENSIONS

ON Semiconductor®

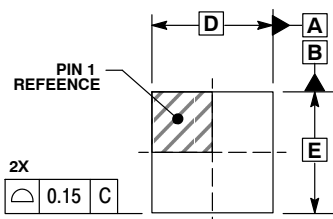


1 24

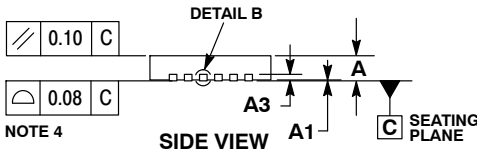
SCALE 2:1

QFN24, 4x4, 0.5P
CASE 485L
ISSUE B

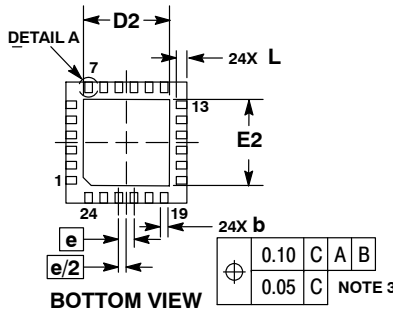
DATE 05 JUN 2012



TOP VIEW

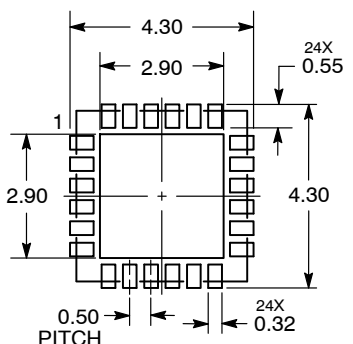


SIDE VIEW

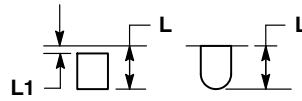


BOTTOM VIEW

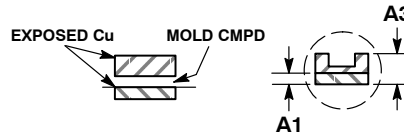
RECOMMENDED SOLDERING FOOTPRINT



DIMENSIONS: MILLIMETERS



DETAIL A
ALTERNATE
CONSTRUCTIONS



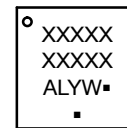
DETAIL B
ALTERNATE TERMINAL
CONSTRUCTIONS

NOTES:

- DIMENSIONING AND TOLERANCING PER ASME Y14.5M, 1994.
- CONTROLLING DIMENSION: MILLIMETERS.
- DIMENSION b APPLIES TO PLATED TERMINAL AND IS MEASURED BETWEEN 0.25 AND 0.30 MM FROM THE TERMINAL TIP.
- COPLANARITY APPLIES TO THE EXPOSED PAD AS WELL AS THE TERMINALS.

| DIM | MILLIMETERS | |
|-----|-------------|------|
| | MIN | MAX |
| A | 0.80 | 1.00 |
| A1 | 0.00 | 0.05 |
| A3 | 0.20 | REF |
| b | 0.20 | 0.30 |
| D | 4.00 | BSC |
| D2 | 2.70 | 2.90 |
| E | 4.00 | BSC |
| E2 | 2.70 | 2.90 |
| e | 0.50 | BSC |
| L | 0.30 | 0.50 |
| L1 | 0.05 | 0.15 |

GENERIC MARKING DIAGRAM*



- XXXXX = Specific Device Code
 A = Assembly Location
 L = Wafer Lot
 Y = Year
 W = Work Week
 ■ = Pb-Free Package

(Note: Microdot may be in either location)

*This information is generic. Please refer to device data sheet for actual part marking. Pb-Free indicator, "G" or microdot "■", may or may not be present.

| | | |
|------------------|------------------|--|
| DOCUMENT NUMBER: | 98AON11783D | Electronic versions are uncontrolled except when accessed directly from the Document Repository. Printed versions are uncontrolled except when stamped "CONTROLLED COPY" in red. |
| DESCRIPTION: | QFN24, 4X4, 0.5P | PAGE 1 OF 1 |

ON Semiconductor and ON are trademarks of Semiconductor Components Industries, LLC dba ON Semiconductor or its subsidiaries in the United States and/or other countries. ON Semiconductor reserves the right to make changes without further notice to any products herein. ON Semiconductor makes no warranty, representation or guarantee regarding the suitability of its products for any particular purpose, nor does ON Semiconductor assume any liability arising out of the application or use of any product or circuit, and specifically disclaims any and all liability, including without limitation special, consequential or incidental damages. ON Semiconductor does not convey any license under its patent rights nor the rights of others.

MECHANICAL CASE OUTLINE PACKAGE DIMENSIONS

ON Semiconductor®



QSOP24 NB CASE 492B-01 ISSUE A

DATE 06 MAY 2008

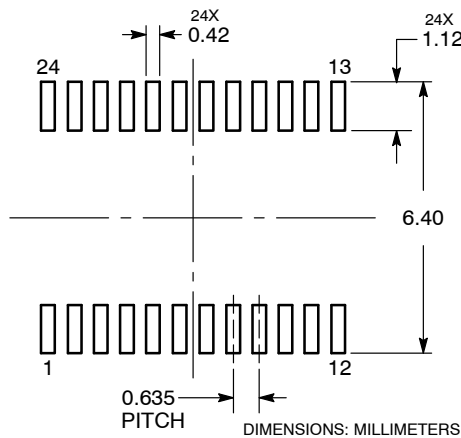


NOTES:

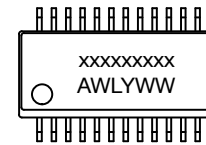
1. DIMENSIONING AND TOLERANCING PER ASME Y14.5M, 1994.
2. CONTROLLING DIMENSION: MILLIMETERS.
3. DIMENSION b DOES NOT INCLUDE DAMBAR PROTRUSION.
4. DIMENSION D DOES NOT INCLUDE MOLD FLASH, PROTRUSIONS, OR GATE BURRS. MOLD FLASH, PROTRUSIONS, OR GATE BURRS SHALL NOT EXCEED 0.15 PER SIDE. DIMENSION E1 DOES NOT INCLUDE INTERLEAD FLASH OR PROTRUSION. INTERLEAD FLASH OR PROTRUSION SHALL NOT EXCEED 0.15 PER SIDE. D AND E1 ARE DETERMINED AT DATUM H.
5. DATUMS A AND B ARE DETERMINED AT DATUM H.

| MILLIMETERS | | |
|-------------|-----------|------|
| DIM | MIN | MAX |
| A | 1.35 | 1.75 |
| A1 | 0.10 | 0.25 |
| b | 0.20 | 0.30 |
| C | 0.19 | 0.25 |
| D | 8.65 BSC | |
| E | 6.00 BSC | |
| E1 | 3.90 BSC | |
| e | 0.635 BSC | |
| h | 0.22 | 0.50 |
| L | 0.40 | 1.27 |
| L2 | 0.25 BSC | |
| M | 0° | 8° |

SOLDERING FOOTPRINT



GENERIC MARKING DIAGRAM*



- xxx = Specific Device Code
- A = Assembly Location
- WL = Wafer Lot
- Y = Year
- WW = Work Week

*This information is generic. Please refer to device data sheet for actual part marking. Pb-Free indicator, "G", may or not be present.

| | | |
|------------------|-------------|--|
| DOCUMENT NUMBER: | 98AON04474D | Electronic versions are uncontrolled except when accessed directly from the Document Repository. Printed versions are uncontrolled except when stamped "CONTROLLED COPY" in red. |
| DESCRIPTION: | QSOP24 NB | PAGE 1 OF 1 |

ON Semiconductor and are trademarks of Semiconductor Components Industries, LLC dba ON Semiconductor or its subsidiaries in the United States and/or other countries. ON Semiconductor reserves the right to make changes without further notice to any products herein. ON Semiconductor makes no warranty, representation or guarantee regarding the suitability of its products for any particular purpose, nor does ON Semiconductor assume any liability arising out of the application or use of any product or circuit, and specifically disclaims any and all liability, including without limitation special, consequential or incidental damages. ON Semiconductor does not convey any license under its patent rights nor the rights of others.

onsemi, **Onsemi**, and other names, marks, and brands are registered and/or common law trademarks of Semiconductor Components Industries, LLC dba "**onsemi**" or its affiliates and/or subsidiaries in the United States and/or other countries. **onsemi** owns the rights to a number of patents, trademarks, copyrights, trade secrets, and other intellectual property. A listing of **onsemi**'s product/patent coverage may be accessed at www.onsemi.com/site/pdf/Patent-Marking.pdf. **onsemi** reserves the right to make changes at any time to any products or information herein, without notice. The information herein is provided "as-is" and **onsemi** makes no warranty, representation or guarantee regarding the accuracy of the information, product features, availability, functionality, or suitability of its products for any particular purpose, nor does **onsemi** assume any liability arising out of the application or use of any product or circuit, and specifically disclaims any and all liability, including without limitation special, consequential or incidental damages. Buyer is responsible for its products and applications using **onsemi** products, including compliance with all laws, regulations and safety requirements or standards, regardless of any support or applications information provided by **onsemi**. "Typical" parameters which may be provided in **onsemi** data sheets and/or specifications can and do vary in different applications and actual performance may vary over time. All operating parameters, including "Typicals" must be validated for each customer application by customer's technical experts. **onsemi** does not convey any license under any of its intellectual property rights nor the rights of others. **onsemi** products are not designed, intended, or authorized for use as a critical component in life support systems or any FDA Class 3 medical devices or medical devices with a same or similar classification in a foreign jurisdiction or any devices intended for implantation in the human body. Should Buyer purchase or use **onsemi** products for any such unintended or unauthorized application, Buyer shall indemnify and hold **onsemi** and its officers, employees, subsidiaries, affiliates, and distributors harmless against all claims, costs, damages, and expenses, and reasonable attorney fees arising out of, directly or indirectly, any claim of personal injury or death associated with such unintended or unauthorized use, even if such claim alleges that **onsemi** was negligent regarding the design or manufacture of the part. **onsemi** is an Equal Opportunity/Affirmative Action Employer. This literature is subject to all applicable copyright laws and is not for resale in any manner.

ADDITIONAL INFORMATION

TECHNICAL PUBLICATIONS:

Technical Library: www.onsemi.com/design/resources/technical-documentation
onsemi Website: www.onsemi.com

ONLINE SUPPORT: www.onsemi.com/support

For additional information, please contact your local Sales Representative at www.onsemi.com/support/sales

