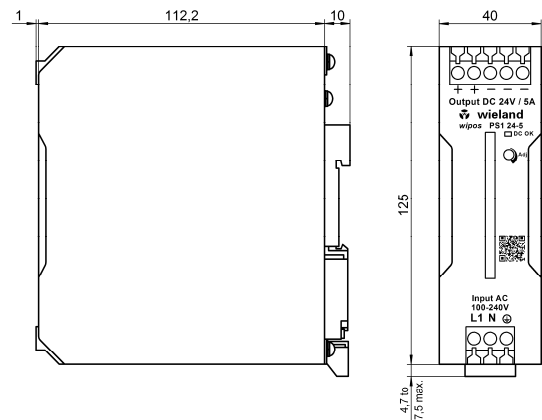
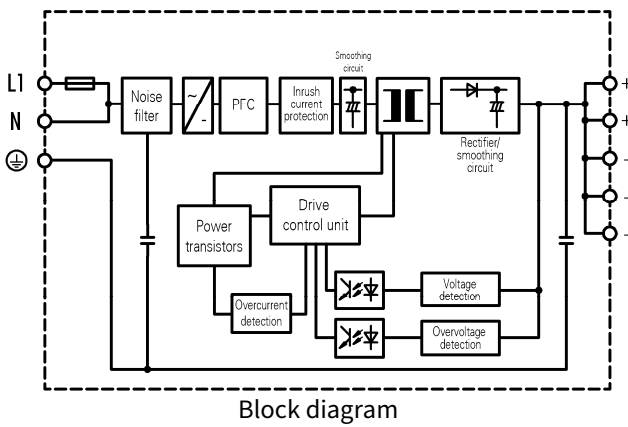




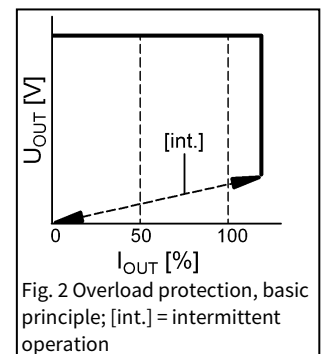
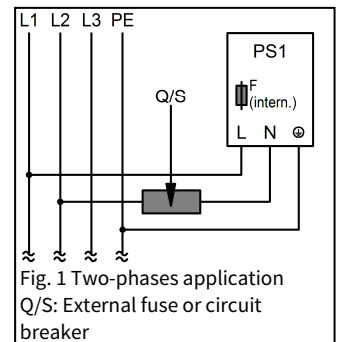
wipos PS1 24-5
 Switching power supply
 24 V DC/5 A
 81.000.6530.0

- Switching power supply, single phase
- Output: 24 V DC/5 A (adjustable 21.6 - 27.6 V DC)
- Input: 85 - 264 V AC; 90 - 350 V DC
- Full load up to 60 °C
- PFC technology
- Vertical mount
- Parallel operation (2 devices max.)



Technical data

| wipos PS1 24-5 | Part number: 81.000.6530.0 |
|---------------------------------------|--|
| Input (L1, N) | |
| Rated voltage AC | 100 ... 240 V AC |
| Voltage range AC | 85 ... 264 V AC |
| Line frequency AC | 47 ... 63 Hz |
| Voltage range DC | 90 ... 350 V DC |
| Rated input current 115/230 V AC typ. | 1.5 A/0.83 A |
| Inrush current 115/230 V AC max. | 16 A/32 A (5 ms) |
| Input fuse | 5 A/250 V (internal) |
| Power factor correction filter (PFC) | yes (0.94 typ. at $U_i = 230$ V AC) |
| Two-phases application | 85 ... 264 V AC (see Fig. 1 Two-phases application) A fuse or circuit breaker has to be connected on N terminal |
| Output (+, -) | |
| Rated output power | 120 W |
| Rated output voltage | 24 V DC |
| Rated output current | 5 A DC |
| Operation indicator Output voltage OK | "DC OK", LED green Display range ($U_o < 19.4$) |
| Output voltage trim range | 21.6 V ... 27.6 V |
| Rated overload protection | 121 % - 160 % (see Fig. 2 Overload protection) |
| Power boost function | 120 %, max. 10 sec. |
| Efficiency typ. | 89 % |
| Line regulation | ±0.5 % |
| Load regulation | 1.5 % |
| Temperature coefficient | ±0.05 %/C |



Technical data

| | | |
|-------------------------------------|--|---|
| wipos PS1 24-5 | | Part number: 81.000.6530.0 |
| Ripple & noise | < 150 mV _{ss} | |
| Hold up time 115/230 V AC | > 42 ms | |
| Parallel operation | yes (max. 2 devices) | |
| Serial operation | yes (max. 2 devices with external diodes) | |
| General data | | |
| Isolation voltage (input/output) | 3000 V AC/4242 V DC | |
| Isolation resistance (input/output) | 100 MOhm | |
| Operating ambient temperature | -40 °C ... +70 °C (UL: max. 40 °C) | |
| Storage temperature | -40 °C ... +85 °C | |
| Derating | A. 61 °C ... 70 °C: 3.5 %/K B. 40 °C ... 70 °C: 1.67 %/K (see Fig. 3 Derating) | |
| Humidity in operation | 0 - 95 % RH, non-condensing | |
| Ventilation/Cooling | free convection | |
| MTBF | 450,000 h | |
| Pollution degree | 2 | |
| Degree of protection | IP 20 | |
| Safety class | 1 | |
| Mounting | DIN rail 35 mm (EN 60715) | |
| Mounting conditions (free space) | 20 mm horizontal, 75 mm vertical | |
| Dimensions (W x H x D) | 40 x 125 x 122.2 mm | |
| Weight | 620 g | |
| Housing material | Metal | |
| Connections | | |
| Connector cross section input | solid/stranded | 0.35 - 6 mm ² /0.35 - 4 mm ² (AWG22 - 10/AWG22 - 12) |
| Connector cross section output | solid/stranded | 0.75 - 6 mm ² /0.75 - 4 mm ² (AWG20 - 10/AWG20 - 12) |
| Connector cross section PE | solid/stranded | min. 2.5 mm ² (AWG14) |
| Strip length | 8 mm | |
| Torque | 4.43 ... 5.31 lb-in max. | |
| Approvals and Standards | | |
| Standards | SELV: EN50178 / EN60950-1 / UL60950-1 PELV: EN50178 / EN60204-1 | |
| Approvals | CE / cURus / cULus / LR | |
| Control elements | | |
| Adj | Trim potentiometer for fine adjustment of U _o | |
| Terminal assignment | | |
| + | 2 x output voltage 24 V, positive output terminal (internally connected) | |
| - | 3 x output voltage 24 V, negative output terminal (internally connected) | |
| L1 | AC: phase conductor, DC: no polarity | |
| N | AC: neutral conductor, DC: no polarity | |
| ⊕ (PE) | PE (Ground), always connect | |

