

1604041-1 ✓ ACTIVE

TE Internal #: 1604041-1

Tab Contact, Silver, 600 VAC, 600 VDC, 1 AWG Wire Size, 40 – 41

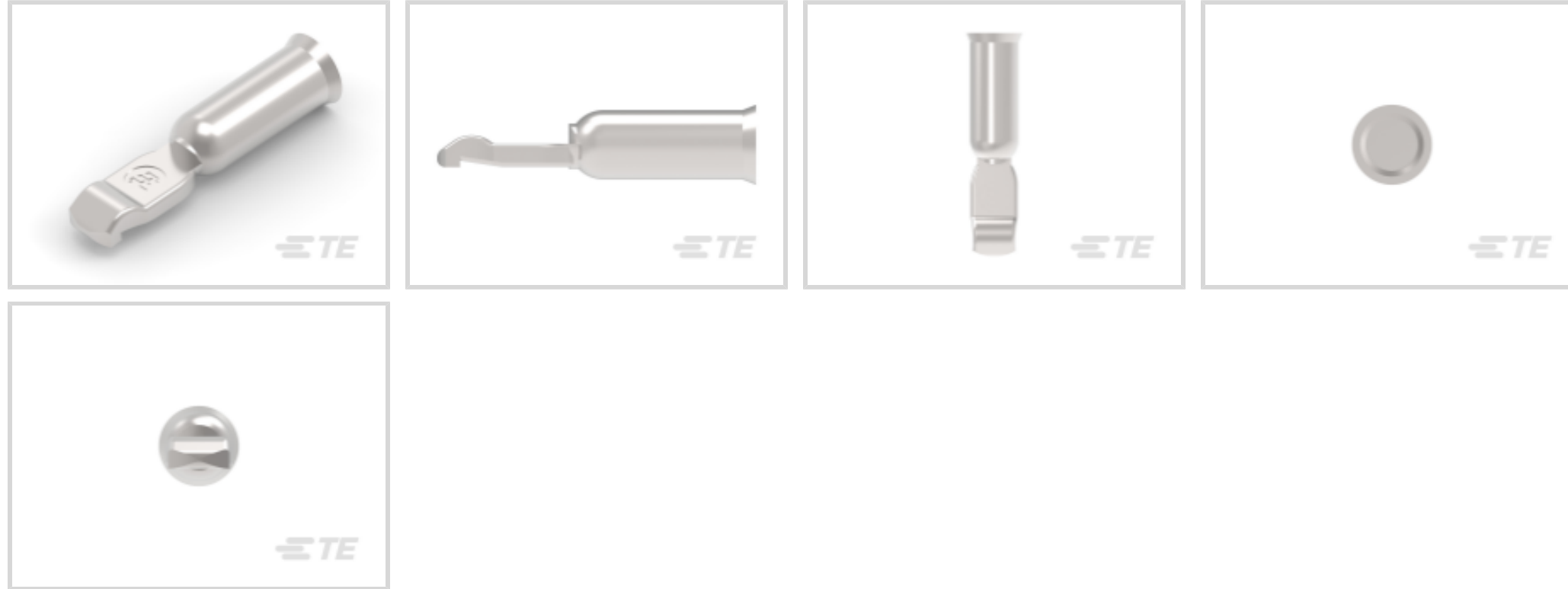
mm² Wire Size, 78941 – 80915 CMA Wire Size, Crimp, Copper

Alloy, Power

[View on TE.com >](#)



Connectors > Contacts > Connector Contacts



Contact Type: **Tab**

Contact Mating Area Plating Material: **Silver**

Wire Contact Termination Area Plating Material: **Silver**

Operating Voltage: **600 VDC**

Features

Product Type Features

Discrete Wire Type **Stranded**

Electrical Characteristics

Operating Voltage **600 VDC**

Contact Features

Mating Tab Width **12.7 mm[.5 in]**

Mating Tab Thickness **6 mm[.236 in]**

Contact Underplating Material Thickness **50 µm[1.27 µin]**

Wire Contact Termination Area Plating Thickness **1.27 µm[50 µin]**

Wire Contact Termination Area Plating Material Finish **Bright**

Contact Mating Area Plating Material Thickness **1.27 µm[50 µin]**

Contact Orientation **Straight**

Contact Underplating Material **Nickel**

Barrel Type **Closed**

Contact Type **Tab**

Contact Mating Area Plating Material **Silver**



Wire Contact Termination Area Plating Material	Silver
--	--------

Contact Retention Within Housing	With
----------------------------------	------

Contact Base Material	Copper Alloy
-----------------------	--------------

Contact Current Rating (Max)	180 A
------------------------------	-------

Termination Features

Termination Method to Wire & Cable	Crimp
------------------------------------	-------

Product Terminates To	Wire & Cable
-----------------------	--------------

Dimensions

Wire Size	78941 – 80915 CMA
-----------	-------------------

Usage Conditions

Operating Temperature Range	-40 – 105 °C[-40 – 221 °F]
-----------------------------	----------------------------

Operation/Application

Circuit Application	Power
---------------------	-------

Industry Standards

Compatible With Agency/Standards Products	UL
---	----

UL Flammability Rating	UL 94V-0
------------------------	----------

Packaging Features

Packaging Quantity	500
--------------------	-----

Packaging Method	Bag
------------------	-----

Product Compliance

[For compliance documentation, visit the product page on TE.com>](#)

EU RoHS Directive 2011/65/EU	Compliant
------------------------------	-----------

EU ELV Directive 2000/53/EC	Compliant
-----------------------------	-----------

China RoHS 2 Directive MIIT Order No 32, 2016	No Restricted Materials Above Threshold
---	---

EU REACH Regulation (EC) No. 1907/2006	Current ECHA Candidate List: JUNE 2024 (241) Candidate List Declared Against: JUNE 2024 (241) Does not contain REACH SVHC
--	---

Halogen Content	Low Halogen - Br, Cl, F, I < 900 ppm per homogenous material. Also BFR/CFR/PVC Free
-----------------	---

Solder Process Capability	Not applicable for solder process capability
---------------------------	--



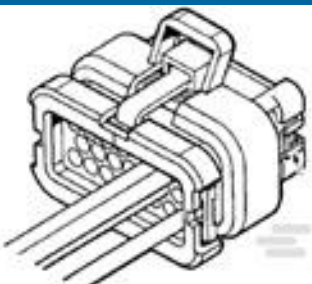
Product Compliance Disclaimer

This information is provided based on reasonable inquiry of our suppliers and represents our current actual knowledge based on the information they provided. This information is subject to change. The part numbers that TE has identified as EU RoHS compliant have a maximum concentration of 0.1% by weight in homogenous materials for lead, hexavalent chromium, mercury, PBB, PBDE, DBP, BBP, DEHP, DIBP, and 0.01% for cadmium, or qualify for an exemption to these limits as defined in the Annexes of Directive 2011/65/EU (RoHS2). Finished electrical and electronic equipment products will be CE marked as required by Directive 2011/65/EU. Components may not be CE marked. Additionally, the part numbers that TE has identified as EU ELV compliant have a maximum concentration of 0.1% by weight in homogenous materials for lead, hexavalent chromium, and mercury, and 0.01% for cadmium, or qualify for an exemption to these limits as defined in the Annexes of Directive 2000/53/EC (ELV). Regarding the REACH Regulation, the information TE provides on SVHC in articles for this part number is based on the latest European Chemicals Agency (ECHA) 'Guidance on requirements for substances in articles' posted at this URL: <https://echa.europa.eu/guidance-documents/guidance-on-reach>

Customers Also Bought



TE Part #206036-2
CPC RECEPTACLE SIZE 17-3



TE Part #776286-1
8POS,AMPSEAL,SOC HSG ASSY,SLD, COD 1



TE Part #3-1437290-7
26POS,SUPERSEAL,REC HSG ASSY, SLD,COD 1



TE Part #66601-2
III+ SKT,18-14,30AU/FL,LP



TE Part #1062-16-0122
SOC, SF, SIZE 16, 14-18, NI/SN



TE Part #66259-2
MALE CONTACT ASSY. (L.P.)



TE Part #2364698-2
AVH25 FLT SS LK NO LED 16A



TE Part #3-1447221-4
S/S REC CONTACT ASSY, AU, 0.5



TE Part #DT16-18SA-K004
PLG, 18P, BLK, E, A



TE Part #2348651-1
BLIND PLUG SEALED, MATENET, ASSY

Documents

Product Drawings

CONTACT,175A/180A,#1 AWG,L/P

English

CAD Files

Customer View Model



[ENG_CVM_CVM_1604041-1_A.2d_dxf.zip](#)

English

[3D PDF](#)

3D

Customer View Model

[ENG_CVM_CVM_1604041-1_A.3d_igs.zip](#)

English

Customer View Model

[ENG_CVM_CVM_1604041-1_A.3d_stp.zip](#)

English

By downloading the CAD file I accept and agree to the [Terms and Conditions](#) of use.

Datasheets & Catalog Pages

[POWER_CONNECTORS_CATALOG_SEC02_CABLE_MOUNTED](#)

English

[2_PIECE_POWER_CONNECTORS_qrg_4-1773458-1](#)

English

Product Specifications

[Application Specification](#)

English