

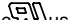


SIGN	DATE	DESCRIPTION	APPROVER
△	11.01'05	Standard spec is changed.	Marivn
△	8/07'06	Added VDE and TUV standard	梁仁松
△	2010.03.12	Add the 2p mark	Jacke

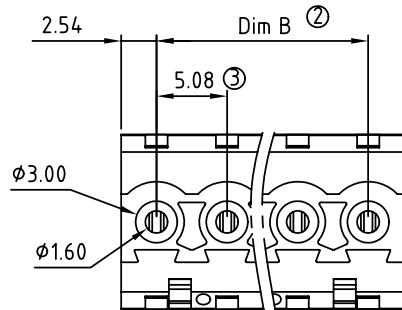
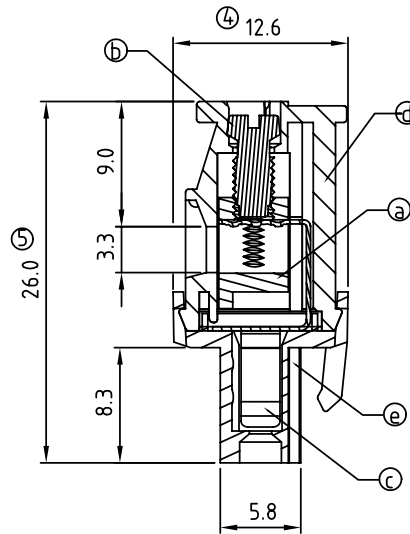
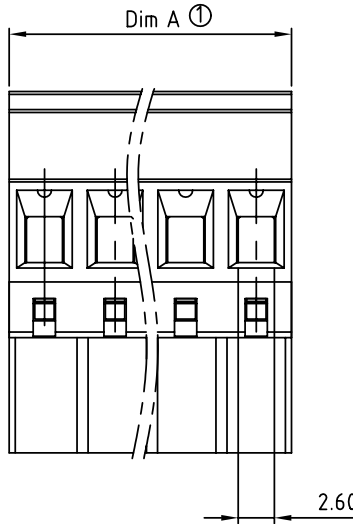
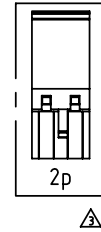
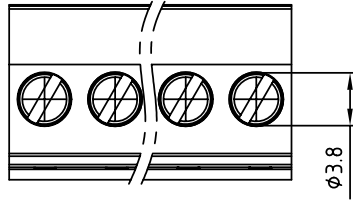
THIS IS CAD DRAWING, DO NOT REVISE MANUALLY!!!

Material

- Item ① Clamp: Brass(CuZn), Ni plating
- Item ② Terminal screw: Steel Cr3+ Zinc plating "-" slot type
- Item ③ Female contact: PhBz, Tin plated
- Item ④ Terminal up body: PA66 (UL94V-0)
- Item ⑤ Terminal down body: PA66 (UL94V-0)

△ △ Electrical cULus/VDE/TUV

- Voltage rating: 300VAC/300VAC/300VAC
- Current rating: 15A/17A/15A
- Wire range: 2.5mm² /0.34-2.5mm²
- Solid wire(AWG): 12-24
- Stranded wire(AWG): 12-24
- Torque: 3.5Lb-In./0.5Nm/0.4Nm
- Screw: M3
- Wire strip length: 6-7mm
- Withstanding Voltage: 1.6KV/2.5KV/2.5KV
- Operating temperature: -40°C to +115°C
- Safety approval:   



N = Number of poles
 Dim A = N x 5.08
 Dim B = (N-1) x 5.08

	Dim A	Dim B
2-6p	±0.15	±0.15
7-12p	±0.20	±0.20
13-18p	±0.30	±0.30
19-24p	±0.40	±0.40

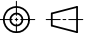
TS xx 51x B xxxx G

- | | | | |
|----------------|---------------------|----------------------|--------------|
| 02 2 CONTACTS | Color | 0000: "@" Logo | RoHS |
| 03 3 CONTACTS | 0 Black (RAL9005) | 000A: "ANYTEK" Mark | Pb<40,000ppm |
| ... | 2 Red (RAL3001/D) | 0091: "ANYTEK" Mark | |
| 24 24 CONTACTS | 3 Orange(RAL2011/P) | Any special item by | |
| | 4 Yellow(RAL1018/A) | customer request. | |
| | 5 Green(RAL6018/T) | please contact sales | |
| | 6 Blue (RAL5015/A) | department. | |
| | 8 Grey(RAL7035/D) | | |

ANYTEK

CUSTOMER COPY

ALL RIGHTS RESERVED. REPRODUCTION OR ISSUE TO THIRD PARTIES IN ANY FORM WHATSOEVER IS NOT PERMITTED WITHOUT WRITTEN AUTHORITY FROM THE PROPRIETOR. PROPERTY OF ANYTEK TECHNOLOGY CO., LTD

TITLE		TS-5.08mmSeries(W/latching hooks on the back side)					
PART NO.		TSxx51xBxxxxG			DWG NO.		8TS0102
APPROVED		CHECKED	DESIGNED	DRAWN	CUST NO.		Tolerance
			Jacke	Jacke			X. ±0.50
			2010.03.12	2009.11.13			X.X ±0.30
							X.XX ±0.10
					SHEET: 01/01		X° ±1°
					UNIT: mm		
					SCALE: NONE		
					REV.: F		