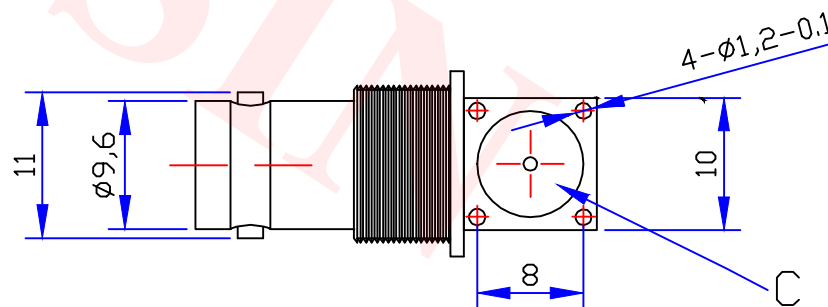
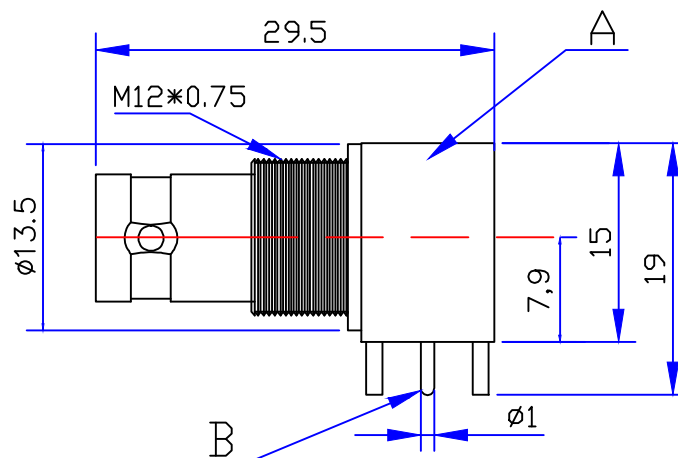
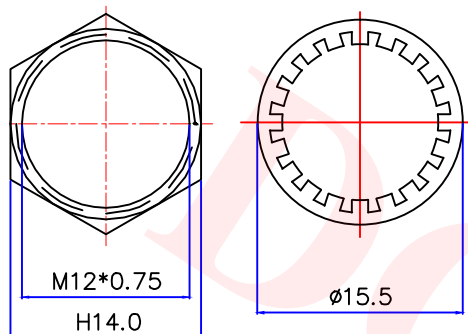




Product NO.		DOSIN-801-0080		
REV	DESCRIPTION	DWN	DATE	APPROVEN
A	First issue	wang	2012/10/20	John kine
B				



Specifications

Impedance: 50 Ohms
 Frequency Range: DC~3G
 VSWR: 1.3MAX
 Working Voltage: 500V rms @ sea level
 Insulation Resistance: 5000 Ohms min
 Temperature Range: -65°C TO +165°C
 Relative Temperature: ≤95% (40°C ± 2°C)
 Drawings products are in line with ROHS standards

NOTE:		Tolerance	0-6	±0.20
DRAWN			6-30	±0.30
Zelin. CHEN		View	30-120	±0.5
2017/08/24			Angular	±2°
CHECKED		UNIT	MM	
APPROVALS			SCALE	1:1
John		DateTime		2017/08/24
King		CAD FILE		D/company drawings/BD

Dosin Industrial(H.K)Co.Ltd 东莞市德索五金电子有限公司 Dosin Hardware Electronics Co.,Ltd		E-mail: dosin2005@163.com dosin2005@dosin-china.com Web: http://www.dosinconn.com TEL: (0086)769-81153906 FAX: (0086)769-81875836	
Name: BNC JACK FOR PCB			
SIZE	Product NO.	REV	
A	DOSIN-801-0080	A	
DateTime		SHEET: 1 OF 1	
2017/08/24		D/company drawings/BD	

E	GASKET	TE	NICKEL	1
D	NUT	BRASS	NICKEL	1
C	INSULATOR	TEFLON	NONE	1
B	CONTACT PLATING	BRASS	GOLD	1
A	BODY	BRASS	NICKEL	1
NO	DESCRIPTION	MATERIAL	FINISHED	QTY