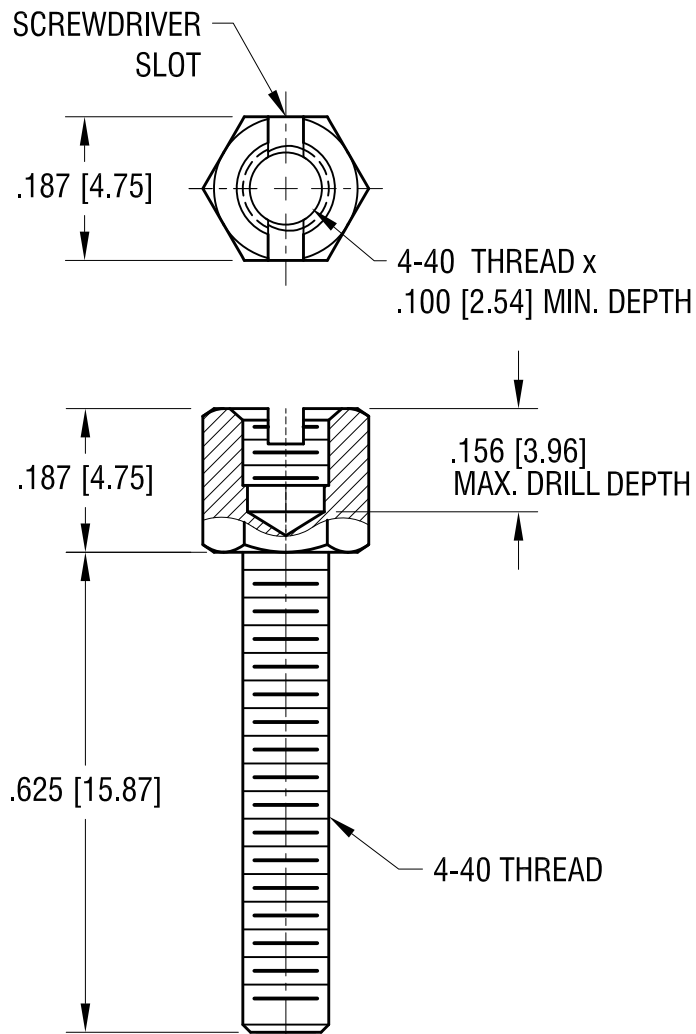


THIS DOCUMENT IS THE PROPERTY OF
KEYSTONE ELECTRONICS CORP. AND
SHALL NOT BE REPRODUCED, DISTRIBUTED
OR USED AS A BASIS FOR MANUFACTURE
WITHOUT PRIOR WRITTEN PERMISSION
FROM KEYSTONE ELECTRONICS CORP.

ACTUAL SIZE



NOTE:

1. FINISH: ZINC PLATE
AND TRIVALENT YELLOW CHROMATE

| | | | |
|--|-----------------|--------------------|-------------|
| KEYSTONE ELECTRONICS CORP. | | | |
| www.keyelco.com • NEW HYDE PARK, NY 11040 • Tel (516) 328-7500 | | | |
| PART NAME | | JACK SCREW W/ SLOT | |
| MATERIAL | | STEEL | |
| FINISH | | DRN BY | DATE |
| AS NOTED | | BOONE | 3.10.06 |
| | | APP'D | SCALE |
| | | RH | 4X |
| TOLERANCES | INCH [MM] | CODE | DWG NO. |
| DECIMAL | ± .005 [± 0.13] | C | 7274 |
| ANGULAR | ± 1° | | |
| UNLESS OTHERWISE SPECIFIED | | | |

| | | |
|----------|--------------------------|------|
| 12.14.23 | CHANGE AS PER ECN 23-312 | A |
| DATE | DESCRIPTION | REV. |