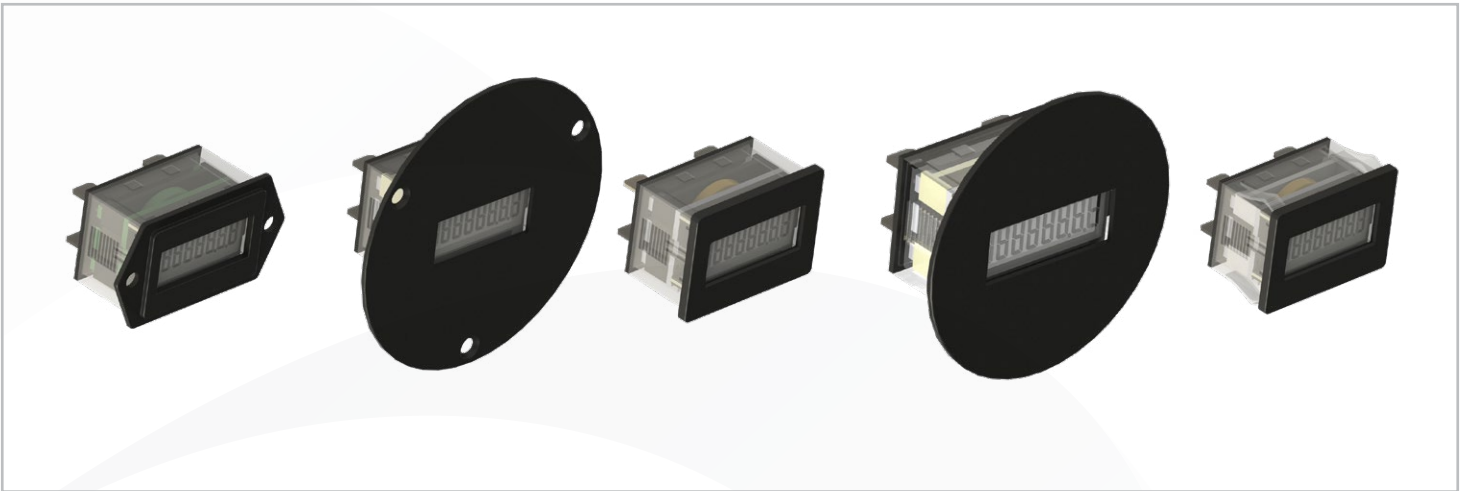


Model 3410

Electronic LCD Hour Meter



The Model 3410 LCD Hour Meter provides a large display with 0.28" [7mm] high characters, available in 5 different industry size housings.

A wide operating voltage, 10-300VDC and 20-300VAC, makes the model 34 versatile for all indoor and outdoor applications. All models are NEMA 4/4X, 12 & IP66 rated when used with the optional gasket and have a polarized lens which assures high visibility in an outdoor environment.

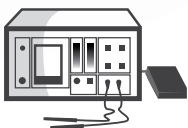
Key Features

- Totally sealed from moisture and dirt
- AC and DC voltage input in the same unit
- Compact depth
- Fits in existing panel openings
- Always on display

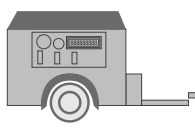
Options

- A choice of 5 housings
- Optional Remote Reset

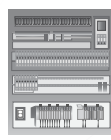
Applications



Medical Devices



Generators



Control Panel



Production Equipment



Garden Tractor

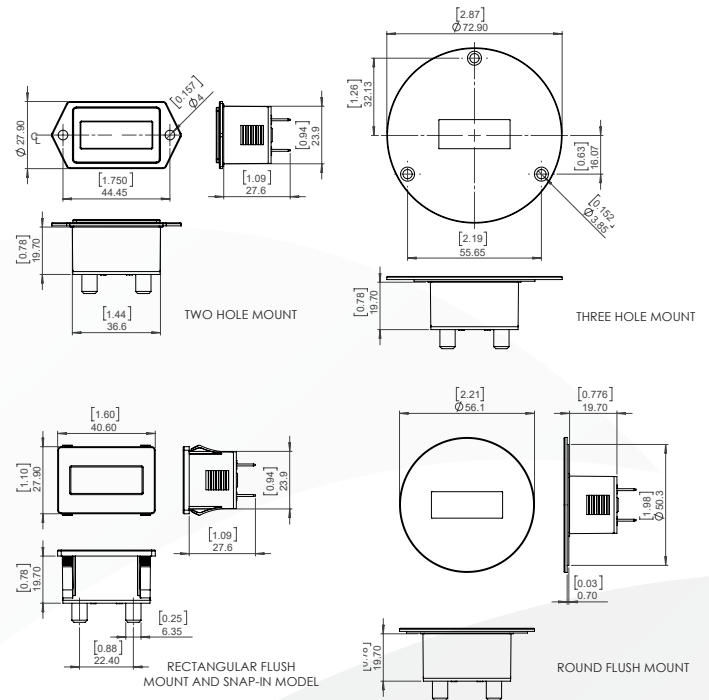


Marine Equipment

Specifications

Display	LCD with large 0.28" [7mm] high figures black on light background
Run Indicator	Blinking decimal point
Reset	Remote and non-reset
Resolution	0.1 Hour displayed
Accuracy	± 0.1% @ room temperature ± 0.2% over the specified temperature range
Records & Displays	9999999.9 (hours and 1/10ths)
Inputs	10-300VDC and 20-300VAC - 50/60Hz <2mA VIH 20VAC or 10VDC minimum VIL 3VAC or 3VDC maximum
Power	Self-powered - battery life 10+ years
Terminations	Standard 0.250" [6.4mm] spades
Enclosure	Totally sealed from moisture and dirt. NEMA 4/4X, 12 & IP66 compliant from the front when properly mounted using the optional gasket. (Not applicable in the Snap-In Model)
Environmental:	
Temp. (Storage & Operating)	-40°F to + 185°F [-40°C to +85°C]
Humidity	95% RH per SAE J1378
Vibration	20g @ 10 to 80 Hz per SAE J1378 Shock: 44 to 55g's per SAE J1378
Dielectric Compliance	1000VAC 50/60 Hz for 1 minute (34x0 models only) Compliant to the European WEEE and RoHS Directives
Sealing	Totally sealed
EMC Compliance	EN61326:1997 with A1:1998 & A2:2001 for industrial environments
Protection Against	Alternator load dump: 150V EMI (Electromagnetic Interface): +400V @ 500Hz inductive switching and reverse polarity
Weight	1 oz. [28g]
Approvals	UL & cUL recognized (file # ELIY2.E36690), CE, SAE, NEMA 4/4X/IP66 compliant (not including 3410-2210)

Dimensions



Notes:

1. When interfacing the Model 34 with a Solid State Relay or AC Sensor, the leakage current needs to be considered.
2. Exceeding the Absolute Voltage Range and the Absolute Maximum Limits may result in damage to the unit.

Part Numbers

Part Number	Description	Gasket
3410-0000	AC/DC Hour Meter 2-hole case 1/4" spade terminal non-reset	5003-010
3410-0010	AC/DC Hour Meter 2-hole case 1/4" spade terminal remote-reset	5003-010
3410-1000	AC/DC Hour Meter 3-hole case 1/4" spade terminals non-reset	5003-017
3410-1010	AC/DC Hour Meter 3-hole case 1/4" spade terminals remote-reset	5003-017
3410-2000	AC/DC Hour Meter flush rectangular case 1/4" spade terminals non-reset	5003-009
3410-2010	AC/DC Hour Meter flush rectangular case 1/4" spade terminals remote-reset	5003-009
3410-3000	AC/DC Hour Meter round SAE case 1/4" spade terminals non-reset	5003-009
3410-3010	AC/DC Hour Meter round SAE case 1/4" spade terminals remote-reset **special order** MOQ=50pcs	5003-009
3410-5000	AC/DC Hour Meter snap-in case 1/4" spade terminals non-reset	
3410-5010	AC/DC Hour Meter snap-in case 1/4" spade terminals remote reset	
5003-010	NEMA 4X Gasket two hole mount	
5003-017	NEMA 4X Gasket three hole mount	
5003-009	NEMA 4X Gasket flush rectangular and SAE round mount	