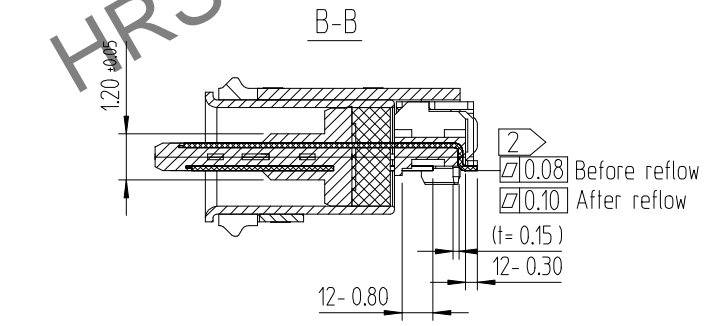
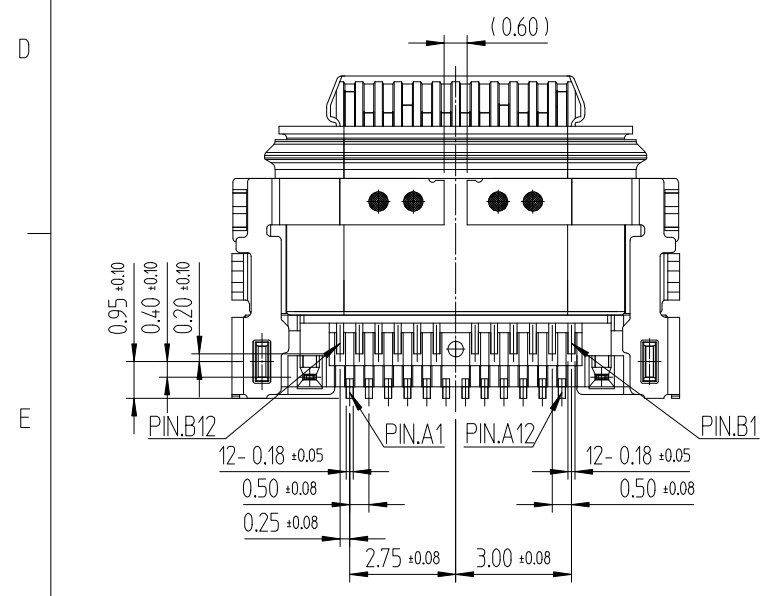
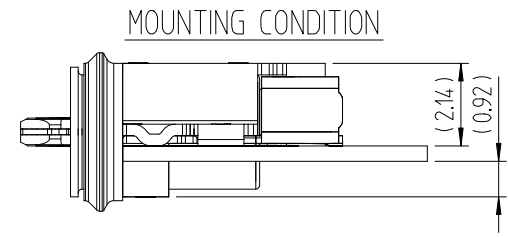
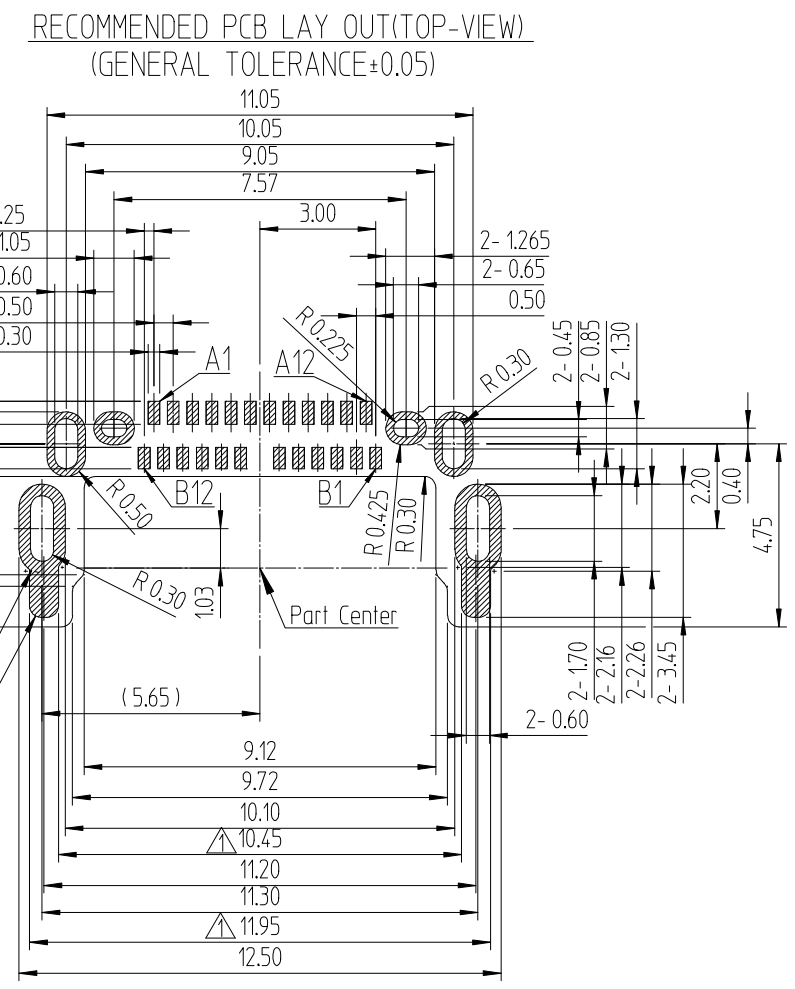
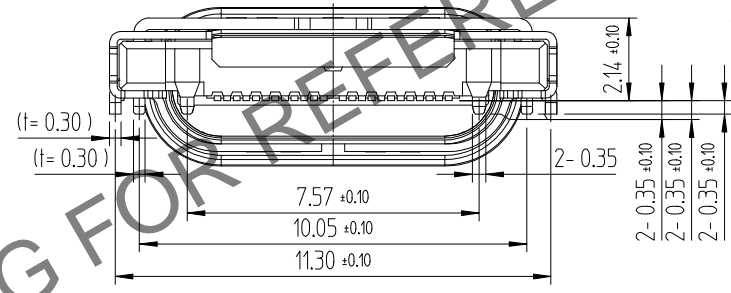
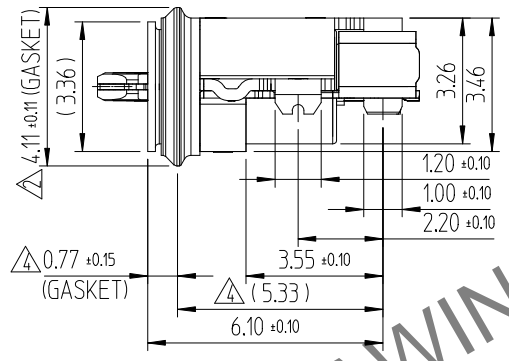
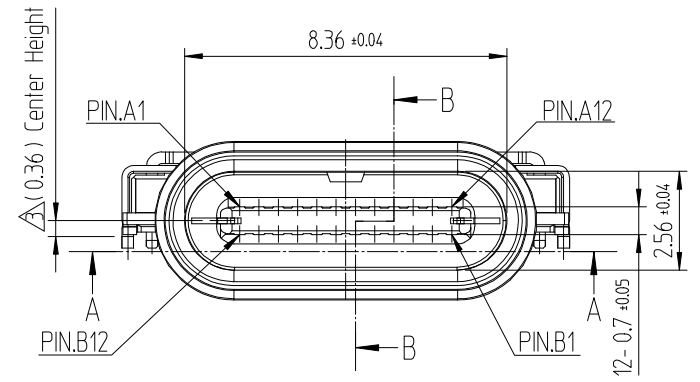
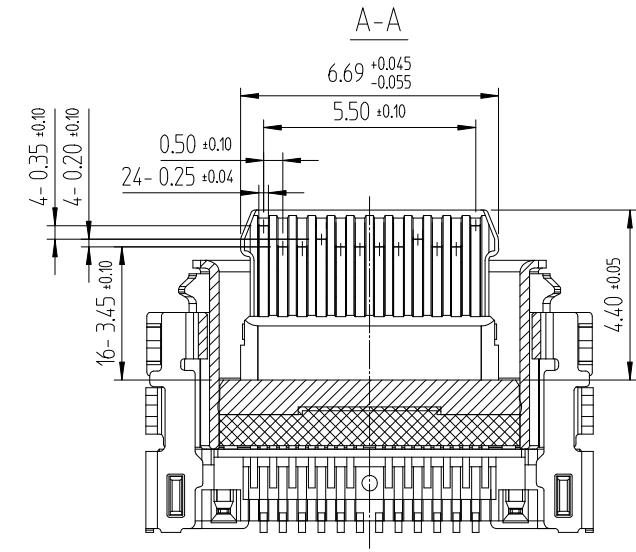
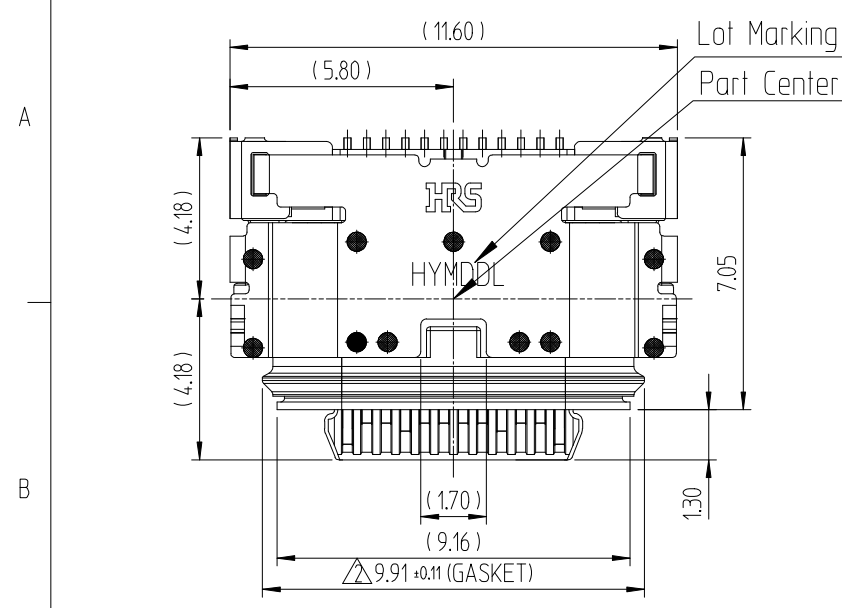
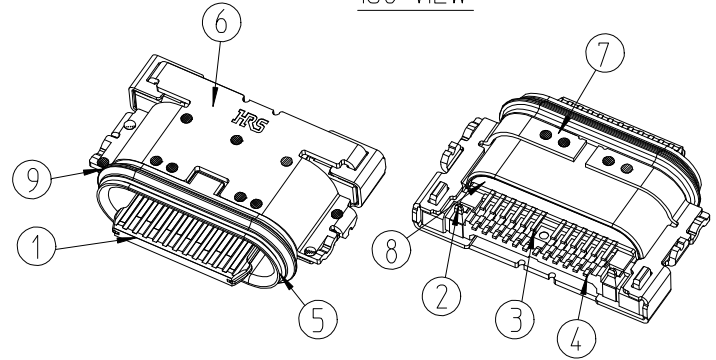


Oct.1.2024 Copyright 2024 HIROSE ELECTRIC CO., LTD. All Rights Reserved.
 In case of consideration for using Automotive equipment / device which demand high reliability, kindly contact our sales window correspondents.

△數 COUNT	訂正事項 DESCRIPTION OF REVISIONS	擔當 B	檢圖 Y	年月日 DATE	△數 COUNT	訂正事項 DESCRIPTION OF REVISIONS	擔當 B	檢圖 Y	年月日 DATE
2	Revised Drawing	PYB	LHJ	19. 11. 13	2	Revised Drawing	LSH	LHJ	20. 03. 03
7	Revised Drawing	LSH	LHJ	20. 01. 31	2	EC(RE-2-2059)	KYG	LHJ	22. 12. 12
1	Revised Drawing	LSH	LHJ	20. 02. 17					



ISO-VIEW



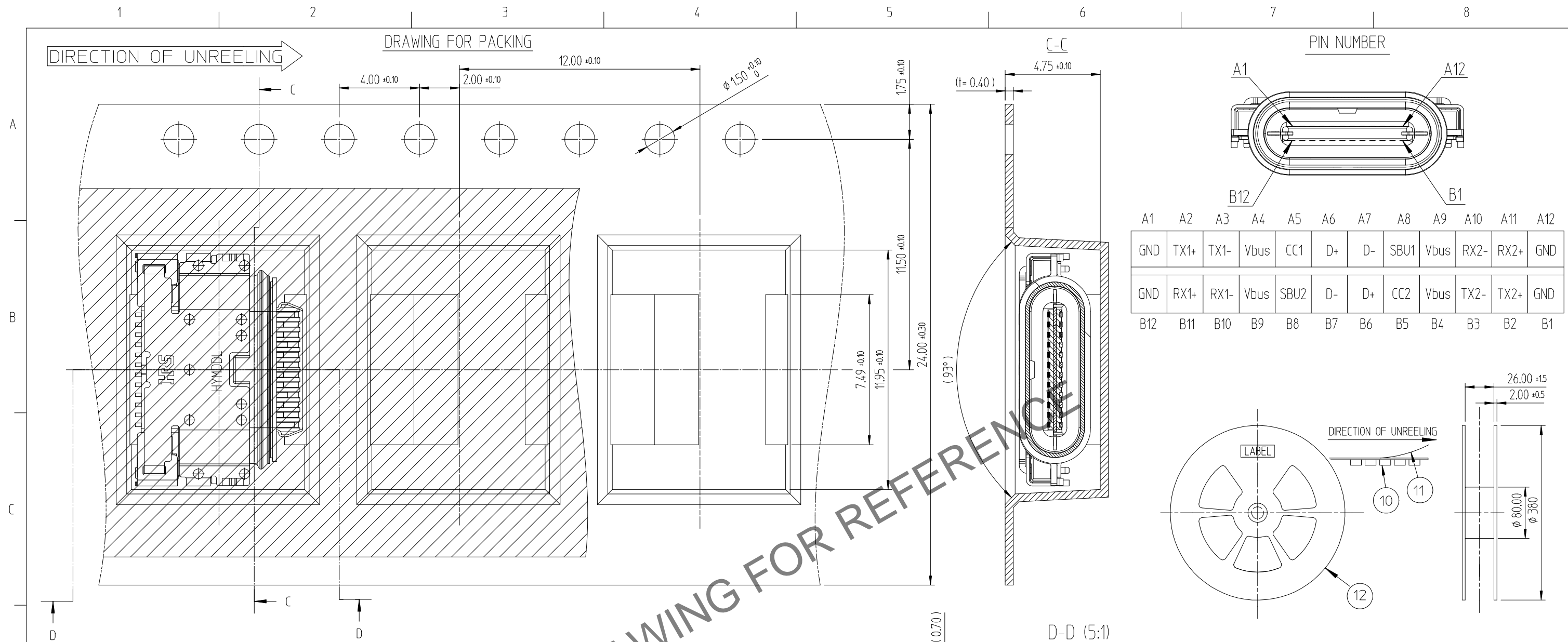
[NOTE]
 1 Finish
 2 Co-planarity : 0.08 Max before reflow
 0.10 Max after reflow 2times
 3 Unspecified tolerance : ±0.2
 4 Lot marking : 6 digits (HYMDDL)
 (H : Hirose, Y : Year, M Month, DD : Day, L : Line)

NO.	DESCRIPTIONS	MATERIAL	FINISH	REMARKS
9	Gasket	Silicone	Gray color	-
8	Potting	Silicone	Black color	-
7	Bottom shell	Stainless steel	Ni1.0μm Min.	-
6	Top shell	Stainless steel	Ni1.0μm Min.	-
5	Inner shell	Stainless steel	Cleansing	-
4	Contact 2nd	Copper alloy	Contact Area : Au0.05μm Min. over Pd-Ni0.75μm Min. over Ni2.0μm Min. Solder Tails : Au0.05μm Min. over Ni2.0μm Min.	-
3	Contact 1st			-
2	Mid plate	Stainless steel	Ni1.0μm Min.	-
1	Housing	Thermoplastic	Black color	-

CODE NO. (OLD)	DRAWN	DESIGNED	CHECKED	APPROVED	RELEASED
	Y.B.PARK	Y.B.PARK	H.J.LEE	H.J.LEE	ENG 22.12.12 DEPT
DRAWING NO.	EDC3-632671		PART NO.	CX90MWD2G-24P	
SCALE	5:1		CODE NO.	CL 6240-0022-9	
UNITS	mm			1/2	

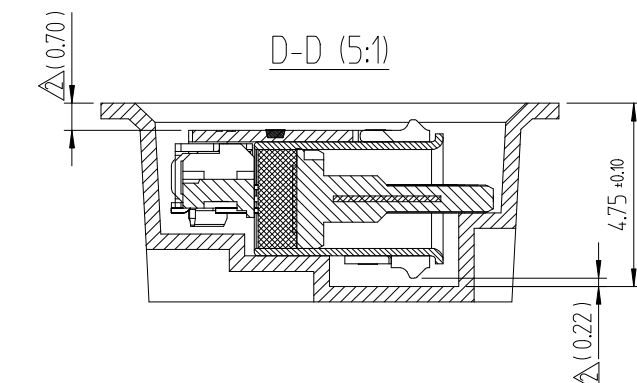
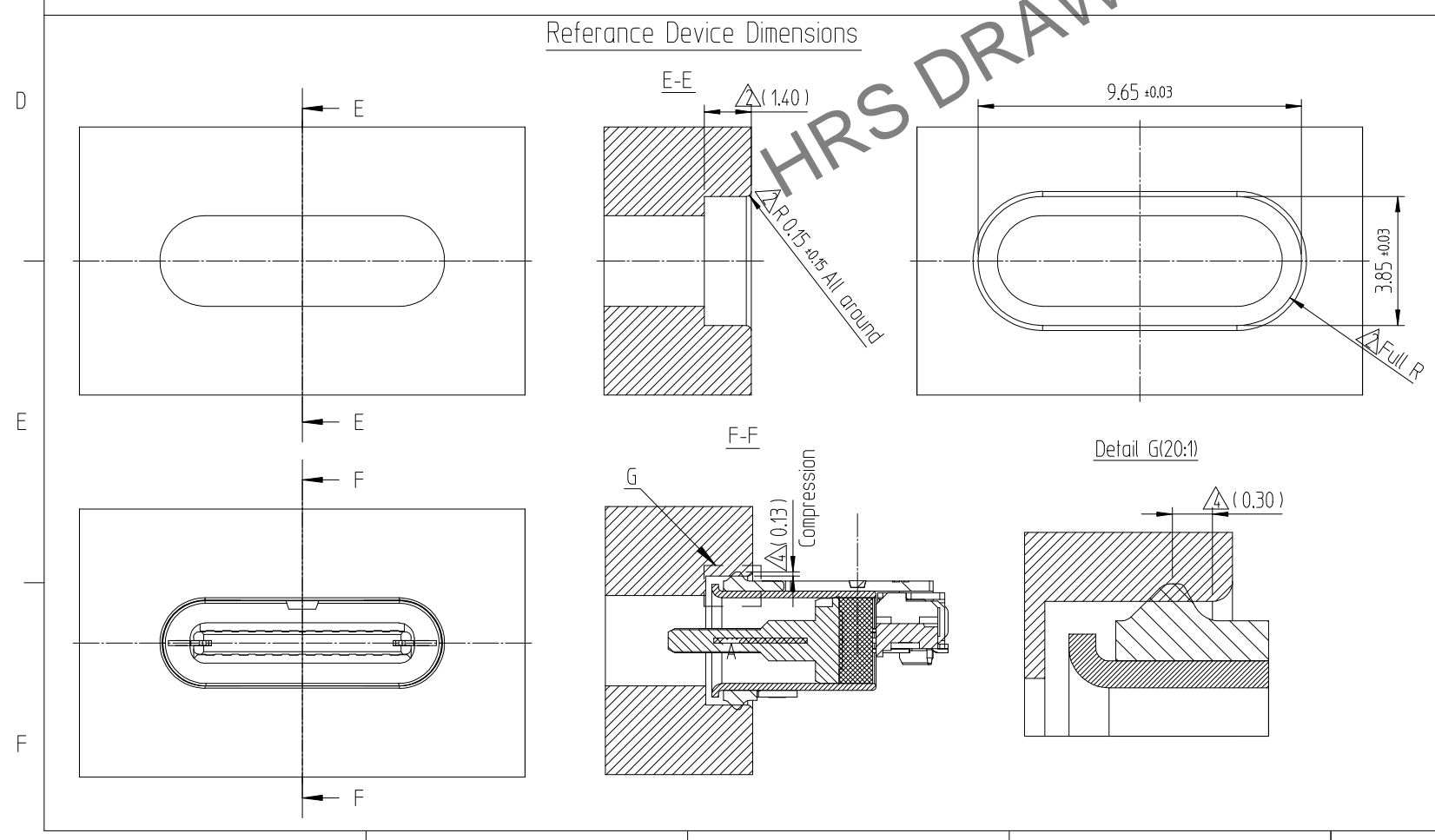
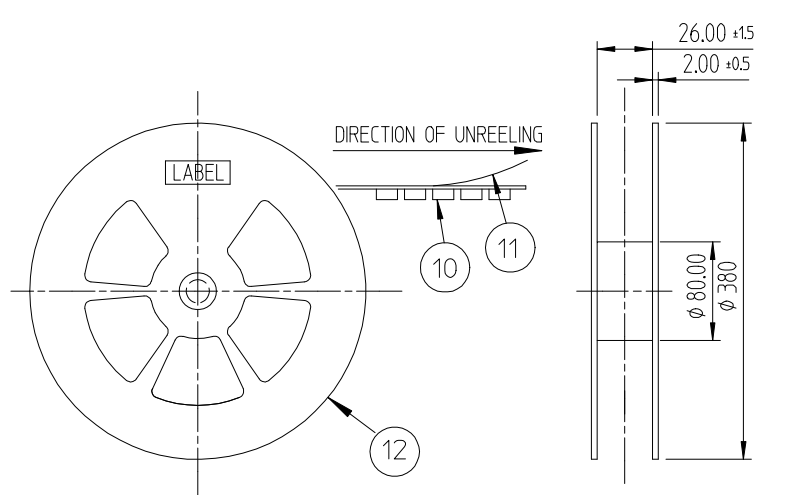
HRS DRAWING FOR REFERENCE

Oct.1.2024 Copyright 2024 HIROSE ELECTRIC CO., LTD. All Rights Reserved.
In case of consideration for using Automotive equipment / device which demand high reliability, kindly contact our sales window correspondents.



PIN NUMBER

A1	A2	A3	A4	A5	A6	A7	A8	A9	A10	A11	A12
GND	TX1+	TX1-	Vbus	CC1	D+	D-	SBU1	Vbus	RX2-	RX2+	GND
B12	B11	B10	B9	B8	B7	B6	B5	B4	B3	B2	B1



[Note]
 5. Carrier tape packing

 6. Peeling force : 10~132 gf @ 300mm/min
 7. Packing quantity
 - 1,500EA / REEL

12	Reel bobbin	PS	-	-
11	Cover tape	PET	-	-
10	Emboss tape	PS	Thermo-Compression Sealing	-
NO.	DESCRIPTIONS	MATERIAL	FINISH	REMARKS
	DRAWING NO.	EDC3-632671	PART NO.	CX90MWD2G-24P
SCALE	5:1		CODE NO	CL 6240-0022-9
UNITS	mm			2/2
		HRS HIROSE KOREA CO.,LTD.		