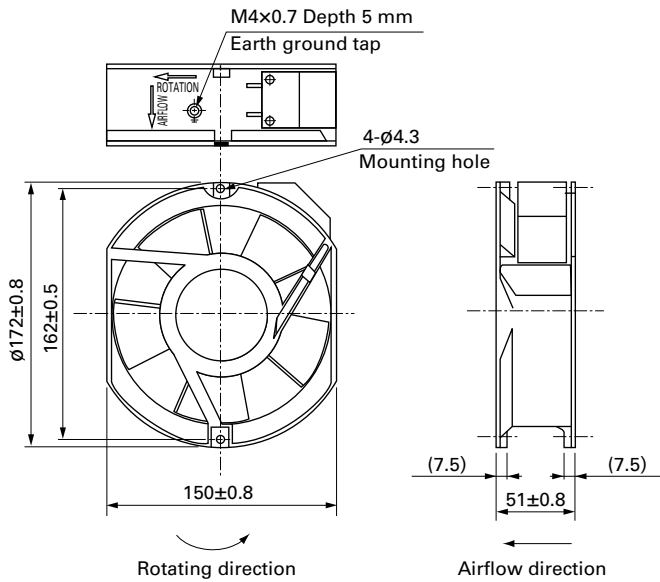
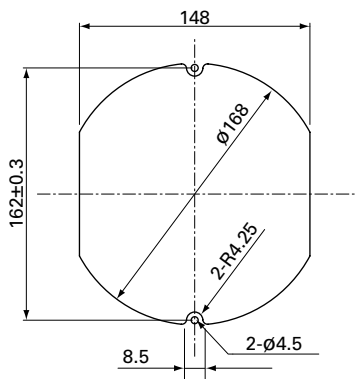


Dimensions (unit: mm)

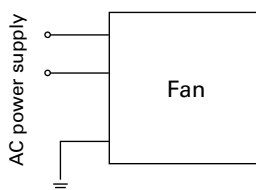


Reference Dimensions of Mounting Holes and Vent Opening (unit: mm)

Inlet side, Outlet side



Connection Schematic



Options

Finger guards

page: p. 592

Model no.: 109-319J, 109-319E, 109-319H

Plug cord

page: pp. 601 to 602

PSE compatible models
 Model no.: 489-1619-L10, 489-1619-L21
 UL/CSA certified models
 Model no.: 489-084-L10, 489-084-L21