

1. 製品名称／PRODUCT NAME : 2.0 FPC TO BOARD CONN RA EMBOSSED TAPE PACKAGING
製品番号／PART NUMBER : 5 0 5 1 4 7 * * 9 0

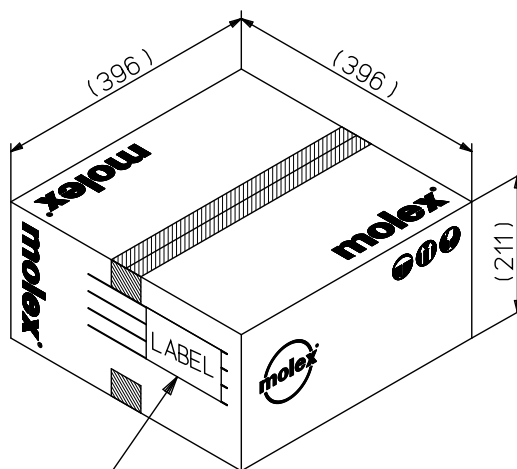
(** は極数を示す)
(** IS CIRCUITS SIZE)

2. 標準梱包数／STANDARD PACKAGING QUANTITY

極数 CKT. SIZE	キャリア テープ幅 (mm) CARRIER TAPE WIDTH (mm)	1 リール中の製品数 QTY. PER REEL	外装カートン SHIPPING CARTON	
			梱包リール数 NUMBER OF REELS	製品数 QUANTITY
2	32	900	4	3,600
3				
4				

REV.	A				
SHEET	1~2				
REVISE ON PC ONLY		TITLE:			
A	RELEASED 101537 2015/10/27 T.NAKAGAWA	5 0 5 1 4 7 梱包仕様書 SALES PACKAGING SPEC. FOR 505147			
	REV.	DESCRIPTION	THIS DOCUMENT CONTAINS INFORMATION THAT IS PROPRIETARY TO MOLEX INC. AND SHOULD NOT BE USED WITHOUT WRITTEN PERMISSION		
DESIGN CONTROL J	STATUS	WRITTEN BY: T.NAKAGAWA01	CHECKED BY: T.HARUYAMA	APPROVED BY: H.HIRATA	DATE: 2015/10/27
DOCUMENT NUMBER 5051479200		DOC. TYPE PS	DOC. PART 200	CUSTOMER GENERAL	SHEET 1 OF 2

3. カートン外形参考寸法 / CARTON OUTER DIMENSIONS (REFERENCE PURPOSE ONLY) 単位 / UNIT: mm



カートンラベル
CARTON LABEL

(製品型番, 数量, ロットNO. 表示)
INDICATION OF PART No., QUANTITY, LOT No.

標準カートン
STANDARD CARTON

A	REVISE ON PC ONLY	TITLE: 505147 梱包仕様書 SALES PACKAGING SPEC. FOR 505147			
	SEE SHEET 1 OF 2				THIS DOCUMENT CONTAINS INFORMATION THAT IS PROPRIETARY TO MOLEX INC. AND SHOULD NOT BE USED WITHOUT WRITTEN PERMISSION
REV.	DESCRIPTION	DOC. TYPE PS	DOC. PART 200	CUSTOMER GENERAL	SHEET 2 OF 2
DOCUMENT NUMBER 5051479200					