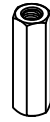
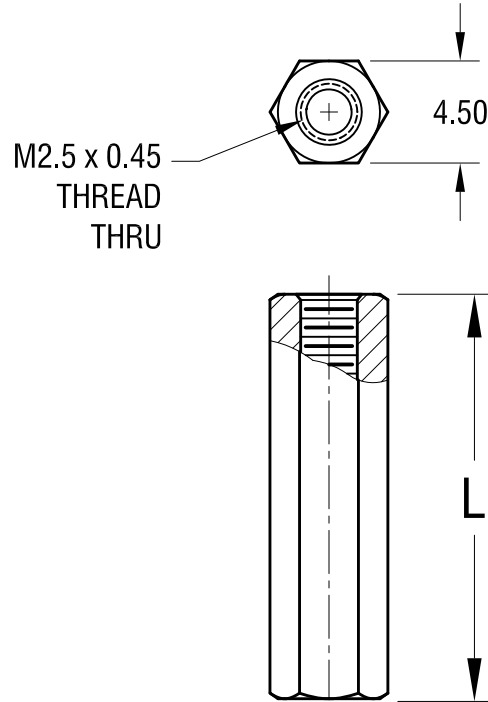


THIS DOCUMENT IS THE PROPERTY OF  
KEYSTONE ELECTRONICS CORP. AND  
SHALL NOT BE REPRODUCED, DISTRIBUTED  
OR USED AS A BASIS FOR MANUFACTURE  
WITHOUT PRIOR WRITTEN PERMISSION  
FROM KEYSTONE ELECTRONICS CORP.

ACTUAL SIZE



P/N 224385



PART NO.	'L' DIM.
24385	15.00
24386	18.00
24387	20.00
24388	25.00

NOTE:

1. ALL DIMENSIONS ARE IN MILLIMETERS

<b>KEYSTONE ELECTRONICS CORP.</b>			
www.keyelco.com • NEW HYDE PARK NY 11040 • Tel (516)328-7500			
PART NAME 4.5 mm THREADED HEX STANDOFF			
MATERIAL BRASS			
FINISH NICKEL PLATE		DRN BY BOONE	DATE 5.08.06
		APP'D RH	SCALE 3X
TOLERANCES	INCH [MM]	CODE	DWG NO.
DECIMAL	± .005 [± 0.13]	C	24385 -34388
ANGULAR ± 1°		UNLESS OTHERWISE SPECIFIED	

DATE	DESCRIPTION	REV.