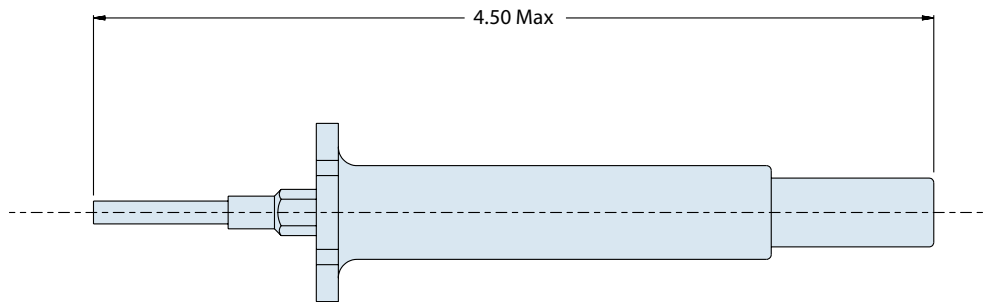
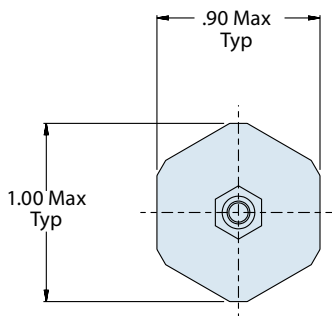


Extraction Tool for Fiber Optic Termini

The Glenair fiber optic terminus extraction tool is designed for use with front release/rear entry termini. Sliding the tool into the face of the insulator and depressing the plunger—after first removing the alignment sleeve with an 182-016 tool—enables users to quickly and easily remove the fiber terminus from the rear of the insert. Compatible with Glenair front release fiber optic termini.

Part Number	Compatible Termini	
182-015	181-039	M29504/14 Pin
	181-040	M29504/15 Socket
	181-051	M29504/03 Dummy
	181-011	#16 Socket
	181-012	#16 Pin



Mouser Electronics

Authorized Distributor

Click to View Pricing, Inventory, Delivery & Lifecycle Information:

[Glenair:](#)

[182-015](#)