

29-311-12A ✓ ACTIVE

KISSLING | KISSLING Series 29

TE Internal #: K1060611

General Purpose Power Relay, Monostable, 10 W Coil, 62 ohm Coil Resistance, Coil Suppression Diode, KISSLING Series 29, Power Relays

[View on TE.com >](#)



Relays & Contactors > Relays > Power Relays > Power Relay, 300A, Standard, Monostable, DC



Relay Type: **General Purpose Power Relay**

Coil Magnetic System: **Monostable**

Coil Power Rating DC: **10 W**

Coil Resistance: **62 Ω**

Coil Special Features: **Coil Suppression Diode**

[All Power Relay, 300A, Standard, Monostable, DC \(22\)](#)

Features

Product Type Features

Relay Type	General Purpose Power Relay
------------	-----------------------------

Configuration Features

Coil Special Features	Coil Suppression Diode
Contact Arrangement	1 Form X SPST-NO-DM
Contact Number of Poles	1

Electrical Characteristics

Coil Power Rating DC	10 W
Coil Resistance	62 Ω
Coil Voltage Rating	18 VDC, 32 VDC
Contact Current Rating	300 A
Contact Voltage Rating	28 VDC

Contact Features

Contact Material	Silver Alloy
------------------	--------------

Termination Features

Relay Connection Type	Terminals
-----------------------	-----------



limits as defined in the Annexes of Directive 2011/65/EU (RoHS2). Finished electrical and electronic equipment products will be CE marked as required by Directive 2011/65/EU. Components may not be CE marked. Additionally, the part numbers that TE has identified as EU ELV compliant have a maximum concentration of 0.1% by weight in homogenous materials for lead, hexavalent chromium, and mercury, and 0.01% for cadmium, or qualify for an exemption to these limits as defined in the Annexes of Directive 2000/53/EC (ELV). Regarding the REACH Regulation, the information TE provides on SVHC in articles for this part number is based on the latest European Chemicals Agency (ECHA) 'Guidance on requirements for substances in articles' posted at this URL: <https://echa.europa.eu/guidance-documents/guidance-on-reach>

Compatible Parts



TE Part # CAT-AL6-KSPR29300
Power Relay, 300A, Standard, Monostable, DC



TE Part # CAT-AL6-KSPR30300
Power Relay, 300A, Standard, Bistable, 2 Coils, Polarized

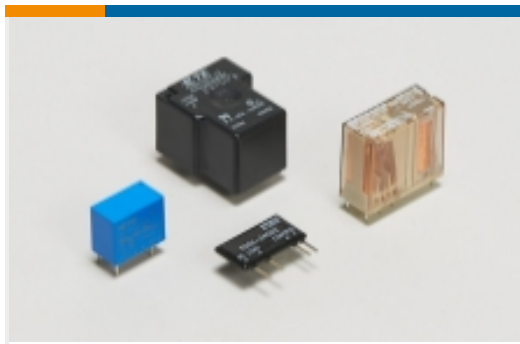


TE Part # K1023465
Relay 29-314-12-903



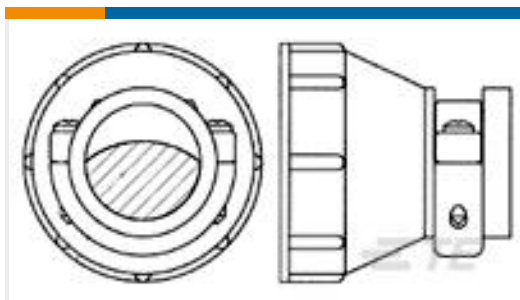
TE Part # K1143832
Relay 29-511-12-906

Also in the Series | KISSLING Series 29

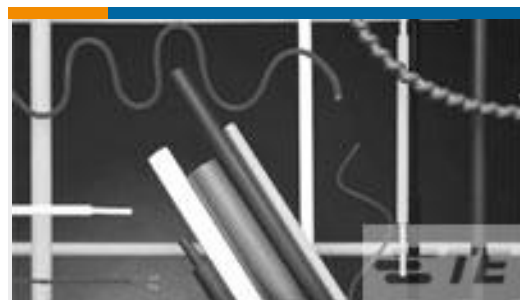


Power Relays(122)

Customers Also Bought



TE Part #182655-1
17 SIZE CPC STD CLAMP



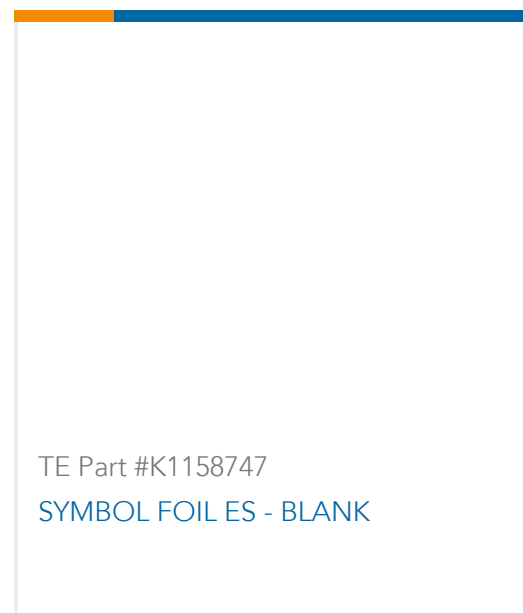
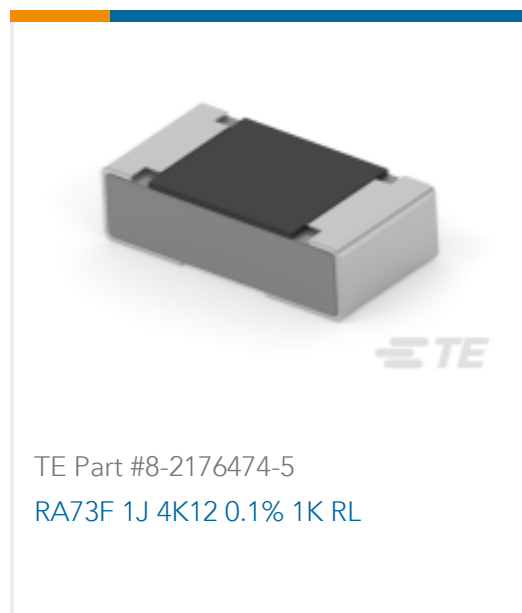
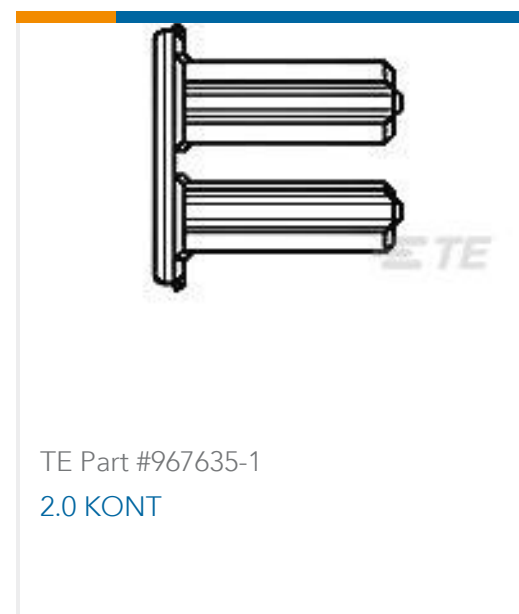
TE Part #5069724010
CGPT-6.4/3.2-X-SP



TE Part #HDP24-24-35SE
REC, 35P, BLK, E, 16/20, S



TE Part #6-2176092-8
RP 2A 0.25W 3K83 0.1% 25PPM 1K RL



Documents

Product Drawings

Relay 29-311-12A

English

CAD Files

3D PDF

3D

Customer View Model

[ENG_CVM_CVM_29-311-12A_A.2d_dxf.zip](#)

English

Customer View Model

[ENG_CVM_CVM_29-311-12A_A.3d_igs.zip](#)

English

Customer View Model

[ENG_CVM_CVM_29-311-12A_A.3d_stp.zip](#)

English

By downloading the CAD file I accept and agree to the [Terms and Conditions](#) of use.

Datasheets & Catalog Pages

KISSLING SINGLE POLE POWER RELAYS Series 29 / 300A

English