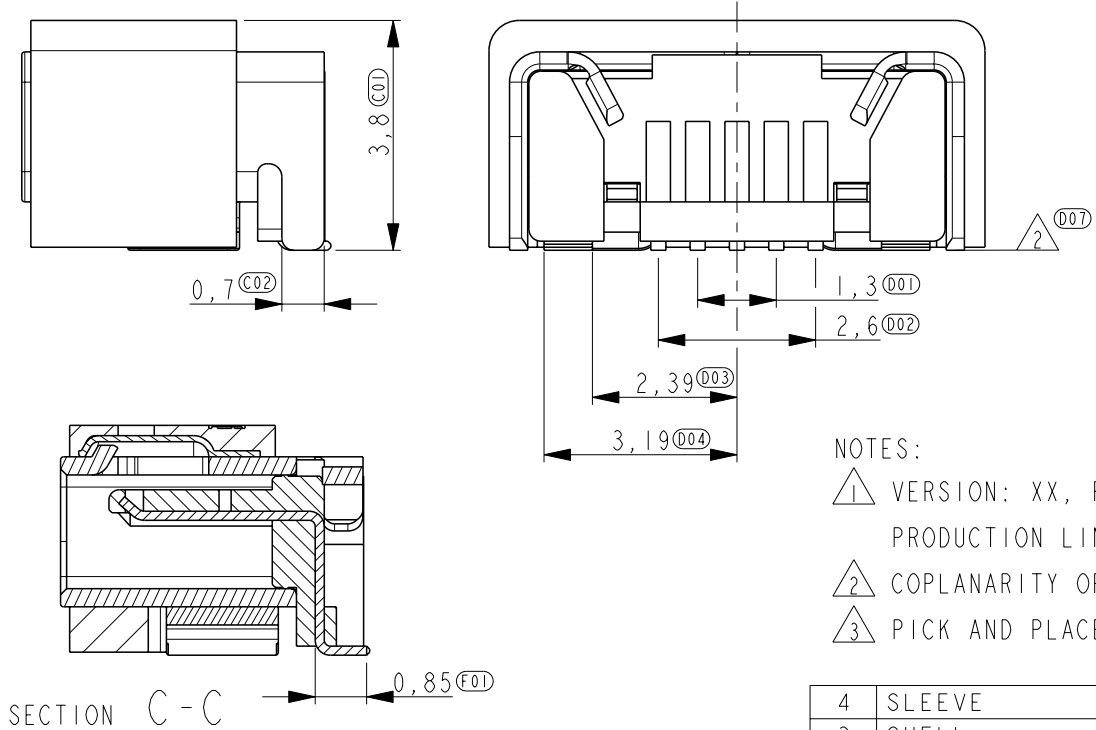
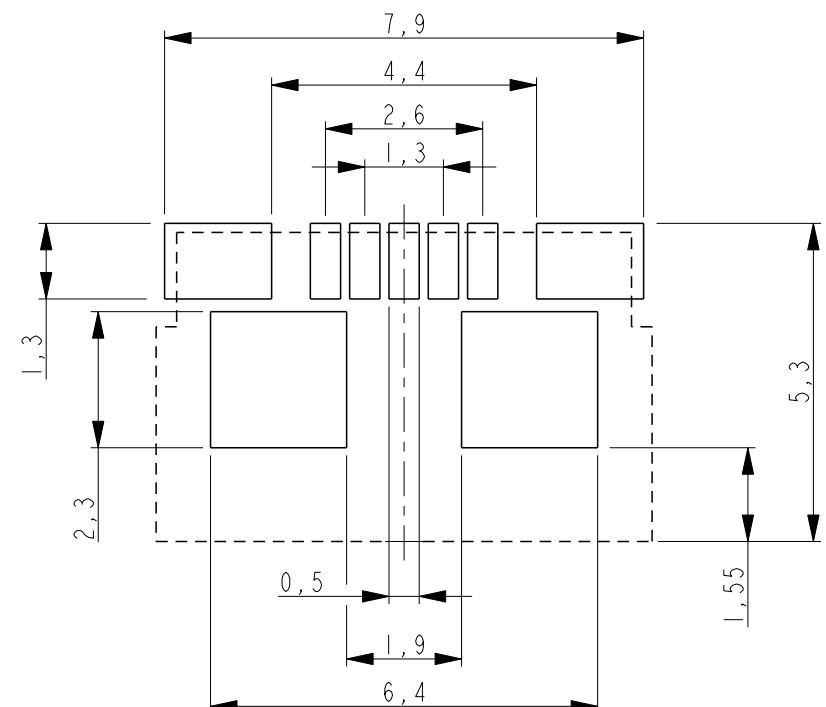
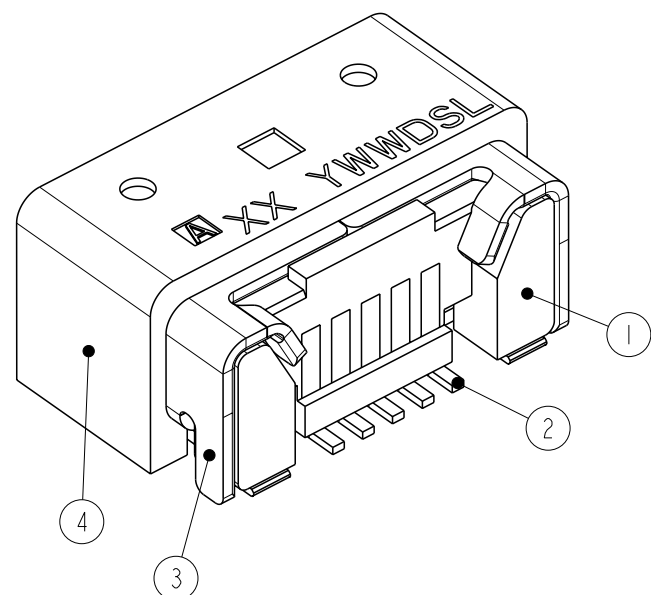
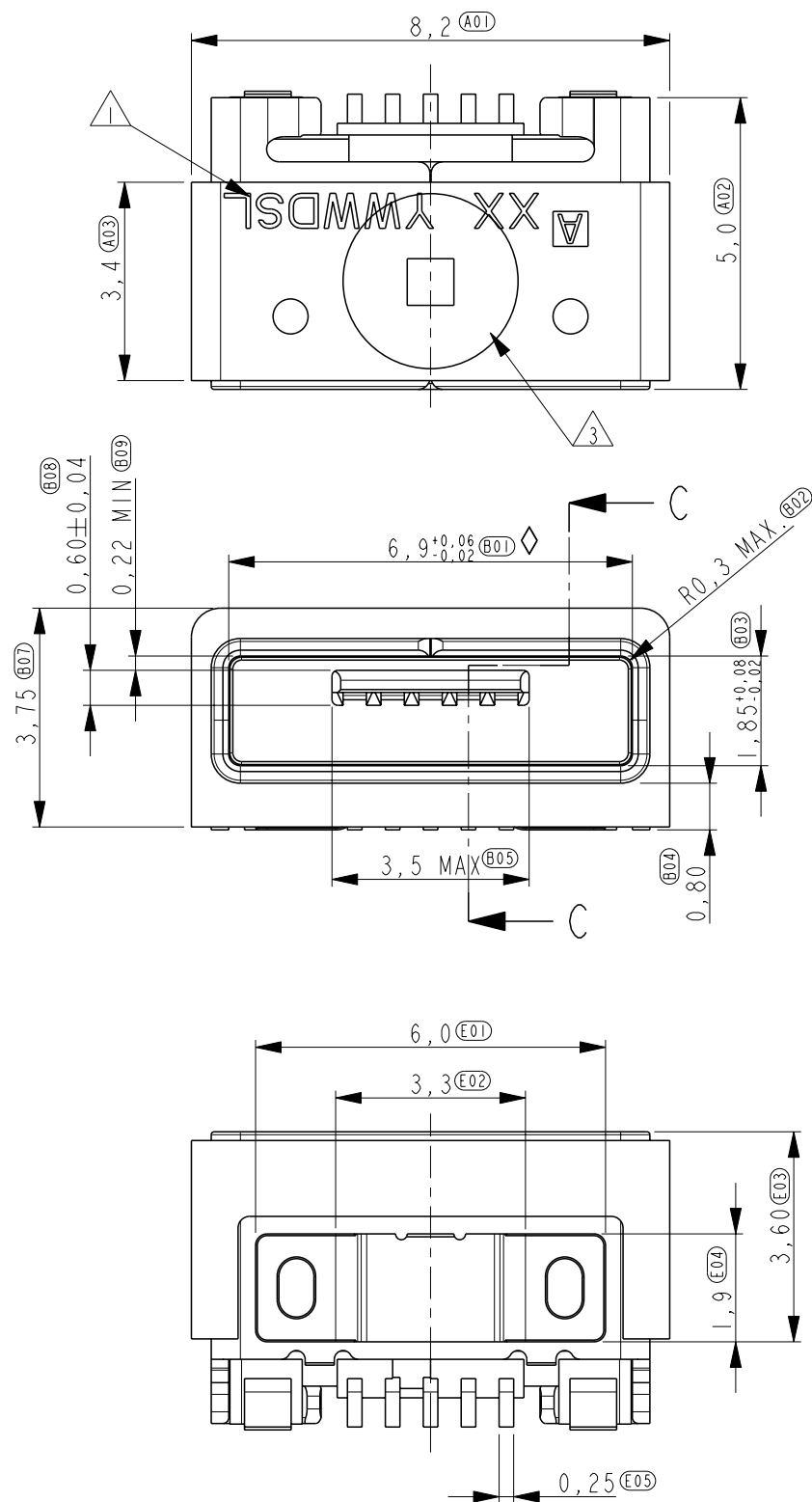


THIS DRAWING IS UNPUBLISHED. RELEASED FOR PUBLICATION 20  
 © COPYRIGHT 20 BY - ALL RIGHTS RESERVED.

LOC	DIST	REVISIONS			
P	LTR	DESCRIPTION	DATE	DWN	APVD
-	-	A	ECR-12-012496	11JUL2012	JvH DH
		B	ECR-12-014942	22AUG2012	WJ DH
		B1	ECR-12-015266	28AUG2012	WJ DH
		B2	ECR-13-013765	30AUG2013	JvH DH



NOTES:  
 1 VERSION: XX, PRODUCTION DATE: YYWW, SHIFT CODE: S, PRODUCTION LINE NO: L.  
 2 COPLANARITY OF 11 SOLDER SURFACES 0,08 MAX.  
 3 PICK AND PLACE AREA Ø3

TE PN: 1551629-2  
 TE PN FOR LOW MOQ: 1551629-3

THIS DRAWING IS A CONTROLLED DOCUMENT.

DIMENSIONS:	TOLERANCES UNLESS OTHERWISE SPECIFIED:
mm	0 PLC ±0,2
	1 PLC ±0,1
	2 PLC ±0,1
	3 PLC ±0,025
	4 PLC ±0,001
	ANGLES ±2°
MATERIAL	FINISH

ITEM NO.	DESCRIPTION	MATERIAL	FINISH
4	SLEEVE	LCP	
3	SHELL	STAINLESS STEEL	Tin over Nickel plating
2	CONTACT	COPPER ALLOY	Gold over Nickel plating
1	HOUSING	LCP	

DWN	04APR2010	 TE Connectivity	NAME SPLASH-PROOF MICRO USB AB-TYPE 0,8 mm OFFSET		
CHK	04APR2010				
APVD	04APR2010				
PRODUCT SPEC					
APPLICATION SPEC		SIZE	CAGE CODE	DRAWING NO	RESTRICTED TO
WEIGHT	0,33 gr	A3	00779	C=1551629	-
Customer Drawing		SCALE	SHEET	OF	REV
		8:1	1	3	B2

THIS DRAWING IS UNPUBLISHED.

RELEASED FOR PUBLICATION

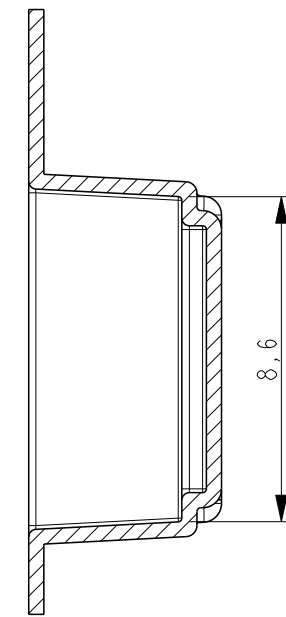
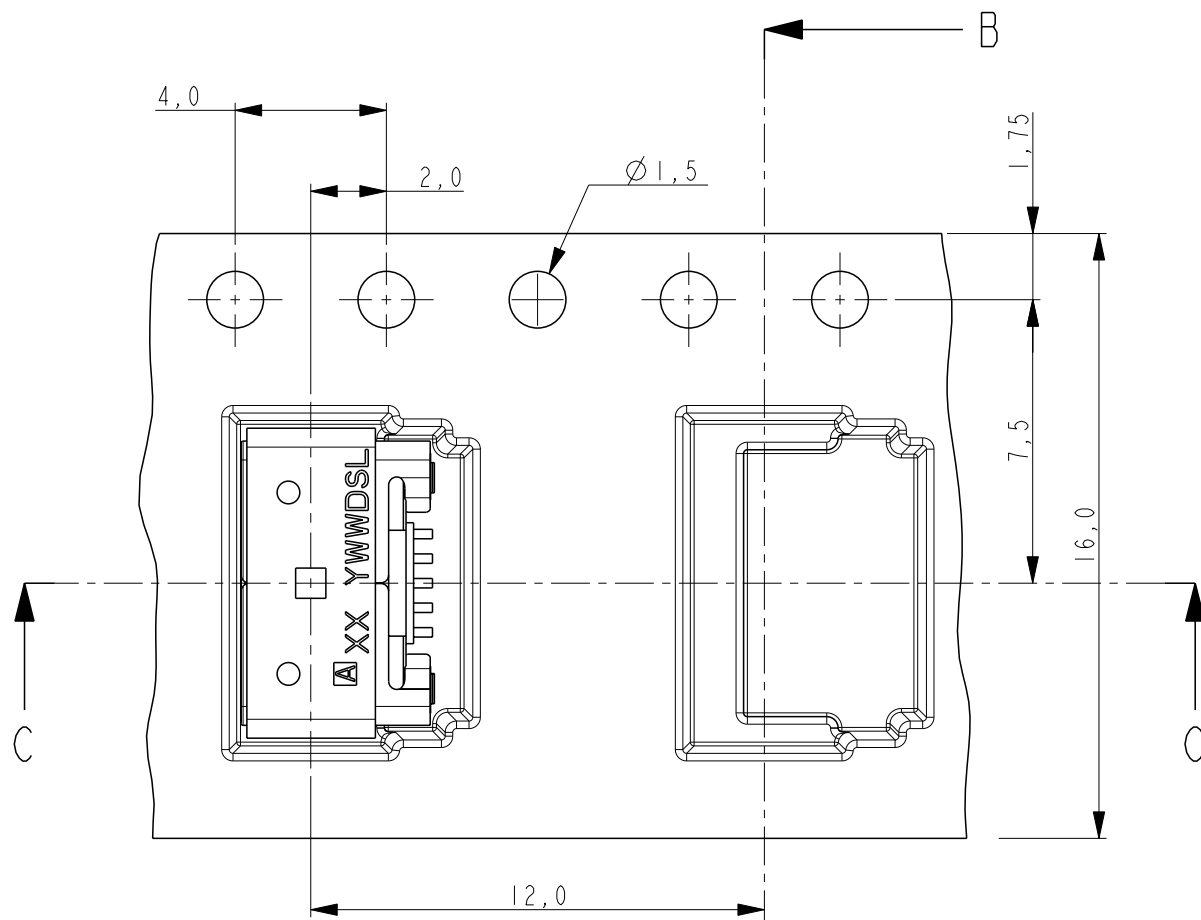
20

© COPYRIGHT 20 BY -

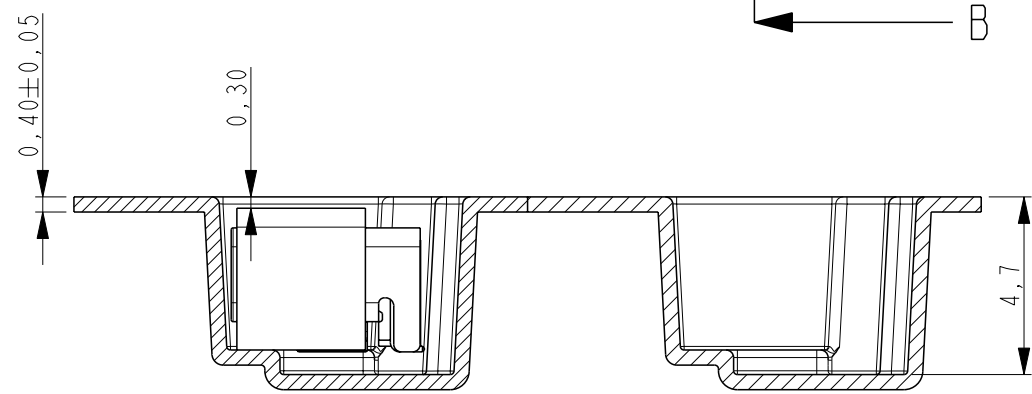
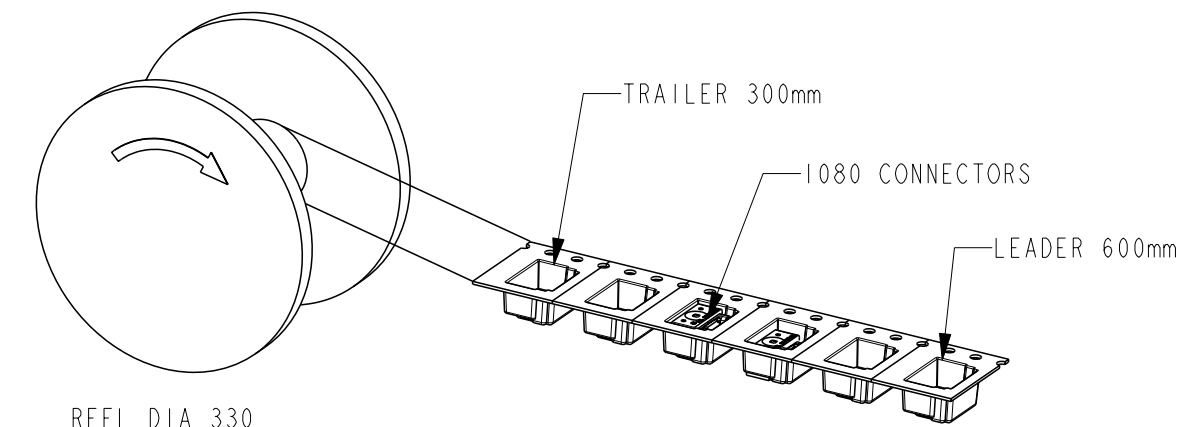
ALL RIGHTS RESERVED.

LOC	DIST
-	-

REVISIONS					
P	LTR	DESCRIPTION	DATE	DWN	APVD
-	-	SEE SHEET 1	-	-	-


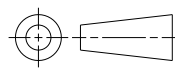


SECTION B-B



SECTION C-C

NOTES:  
COVER, EMOSS TAPE AND REEL ACCODING EIA STANDARD 481-D

THIS DRAWING IS A CONTROLLED DOCUMENT.		DWN W. Jansen 04APR2010	 <b>TE Connectivity</b>			
DIMENSIONS: mm		CHK W. Jansen 04APR2010				
TOLERANCES UNLESS OTHERWISE SPECIFIED:		APVD D. Halberstadt 04APR2010	NAME SPLASH-PROOF MICRO USB AB-TYPE 0,8 mm OFFSET			
 0 PLC ±0,2 1 PLC ±0,1 2 PLC ±0,1 3 PLC ±0,025 4 PLC ±0,001 ANGLES ±2°		PRODUCT SPEC -	RESTRICTED TO -			
MATERIAL -		FINISH -	APPLICATION SPEC -	SIZE A3	CAGE CODE 00779	DRAWING NO C=1551629
		WEIGHT 0,33 gr	SCALE 8:1			
		Customer Drawing		SHEET 2	OF 3	REV B2

THIS DRAWING IS UNPUBLISHED.

RELEASED FOR PUBLICATION

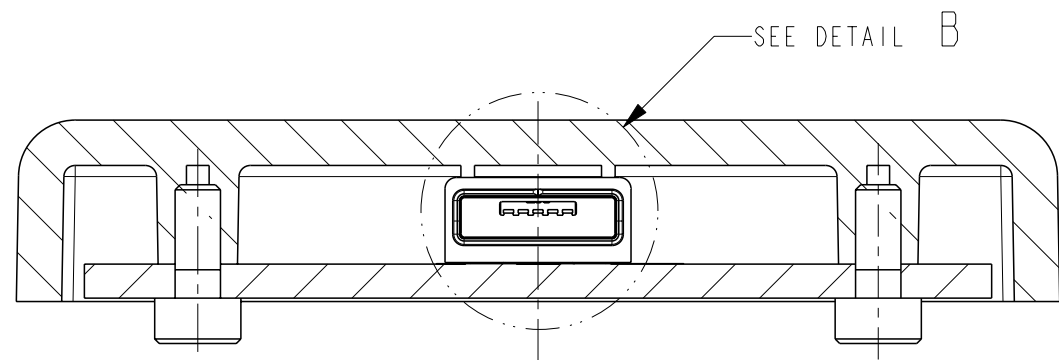
20

© COPYRIGHT 20 BY -

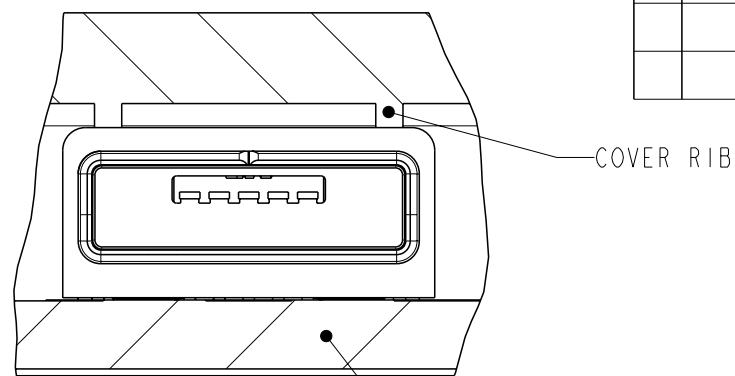
ALL RIGHTS RESERVED.

LOC	DIST
-	-

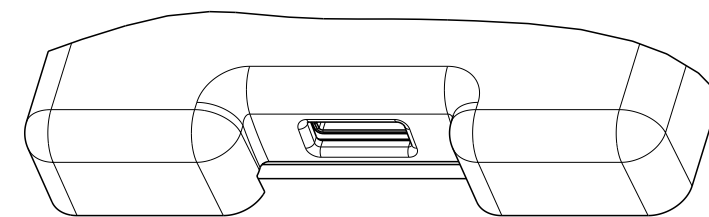
REVISIONS					
P	LTR	DESCRIPTION	DATE	DWN	APVD
-	-	SEE SHEET 1	-	-	-



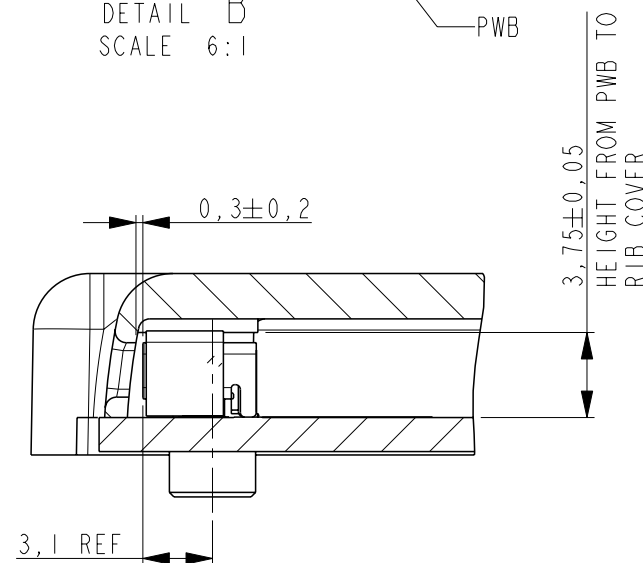
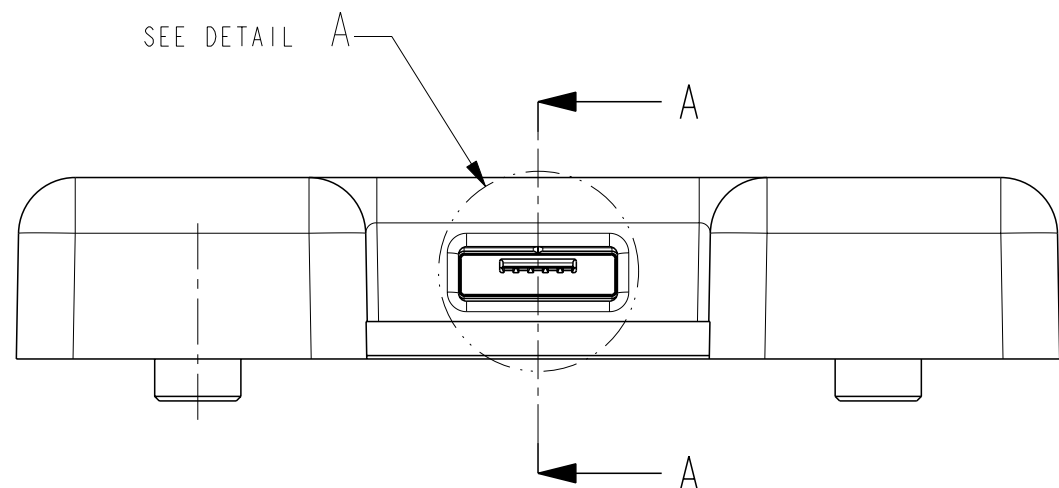
SECTION D-D



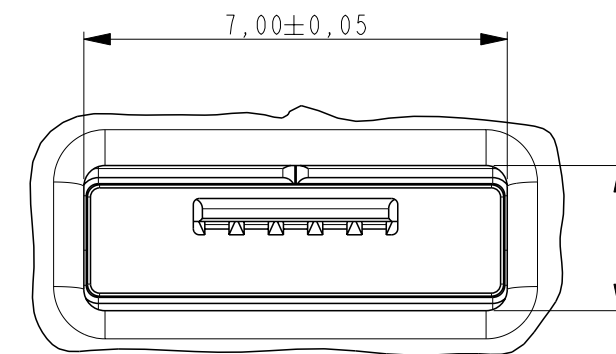
DETAIL B  
SCALE 6:1



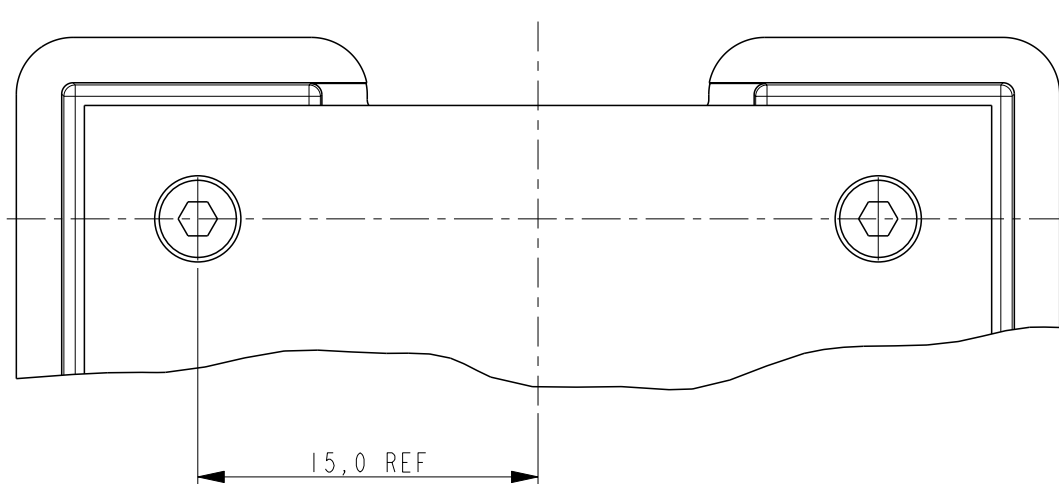
SCALE 2:1



SECTION A-A



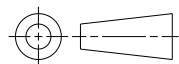
RECOMMENDED COVER HOLE SHAPE  
DETAIL A  
SCALE 8:1



RECOMMENDED PWB AND COVER ASSEMBLY

THIS DRAWING IS A CONTROLLED DOCUMENT.

DIMENSIONS:  
mm



TOLERANCES UNLESS OTHERWISE SPECIFIED:	
0 PLC	±0,2
1 PLC	±0,1
2 PLC	±0,1
3 PLC	±0,025
4 PLC	±0,001
ANGLES	±2°
FINISH	-

MATERIAL

-

DWN 04APR2010

W. Jansen

CHK 04APR2010

W. Jansen

APVD 04APR2010

D. Halberstadt

PRODUCT SPEC

-

APPLICATION SPEC

-

WEIGHT

0,33 gr

Customer Drawing

NAME

SPLASH-PROOF MICRO USB  
AB-TYPE  
0,8 mm OFFSET

SIZE

A3

CAGE CODE

00779

DRAWING NO

C=1551629

RESTRICTED TO

-

SCALE 8:1

SHEET 3 OF 3

REV B2