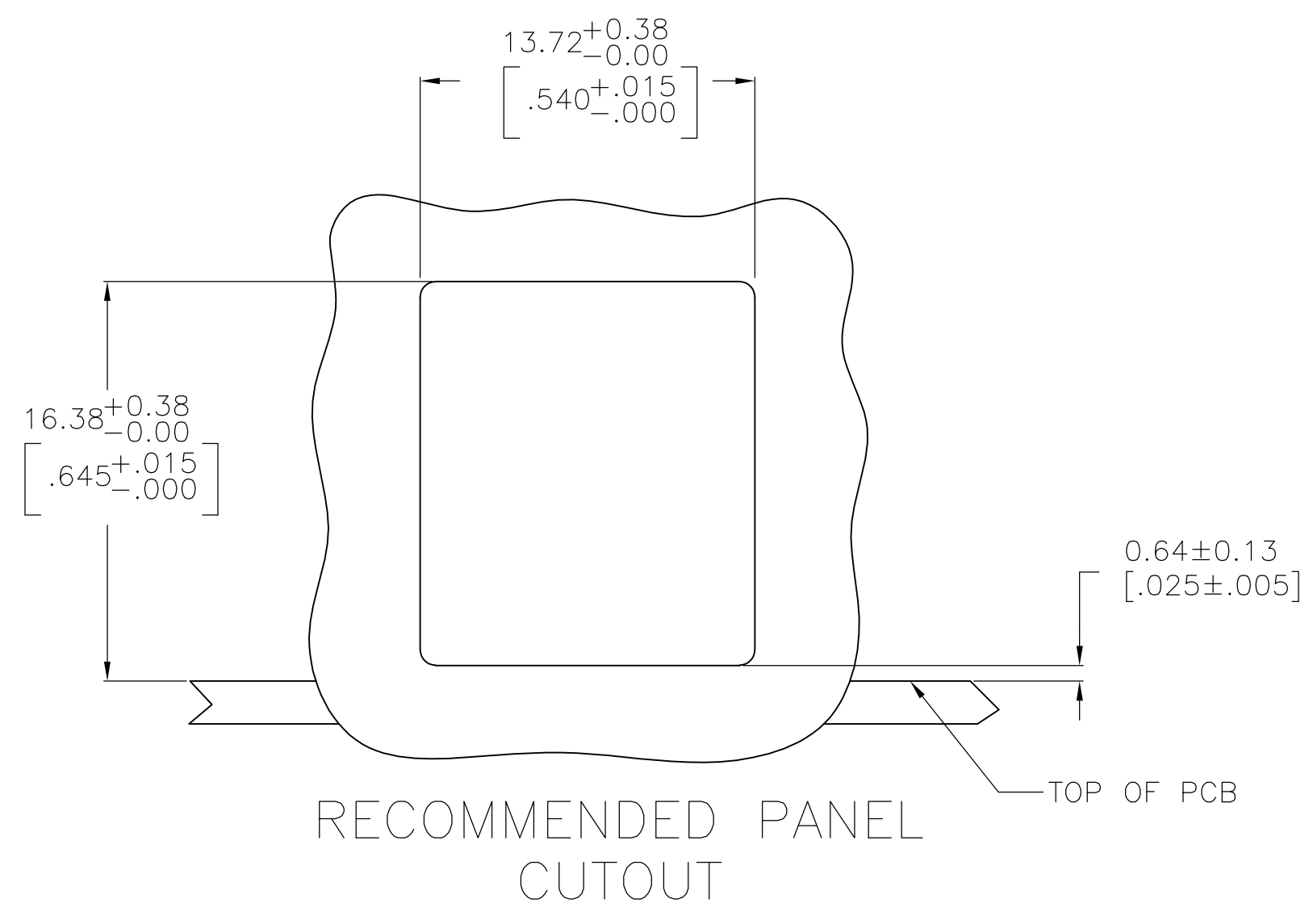
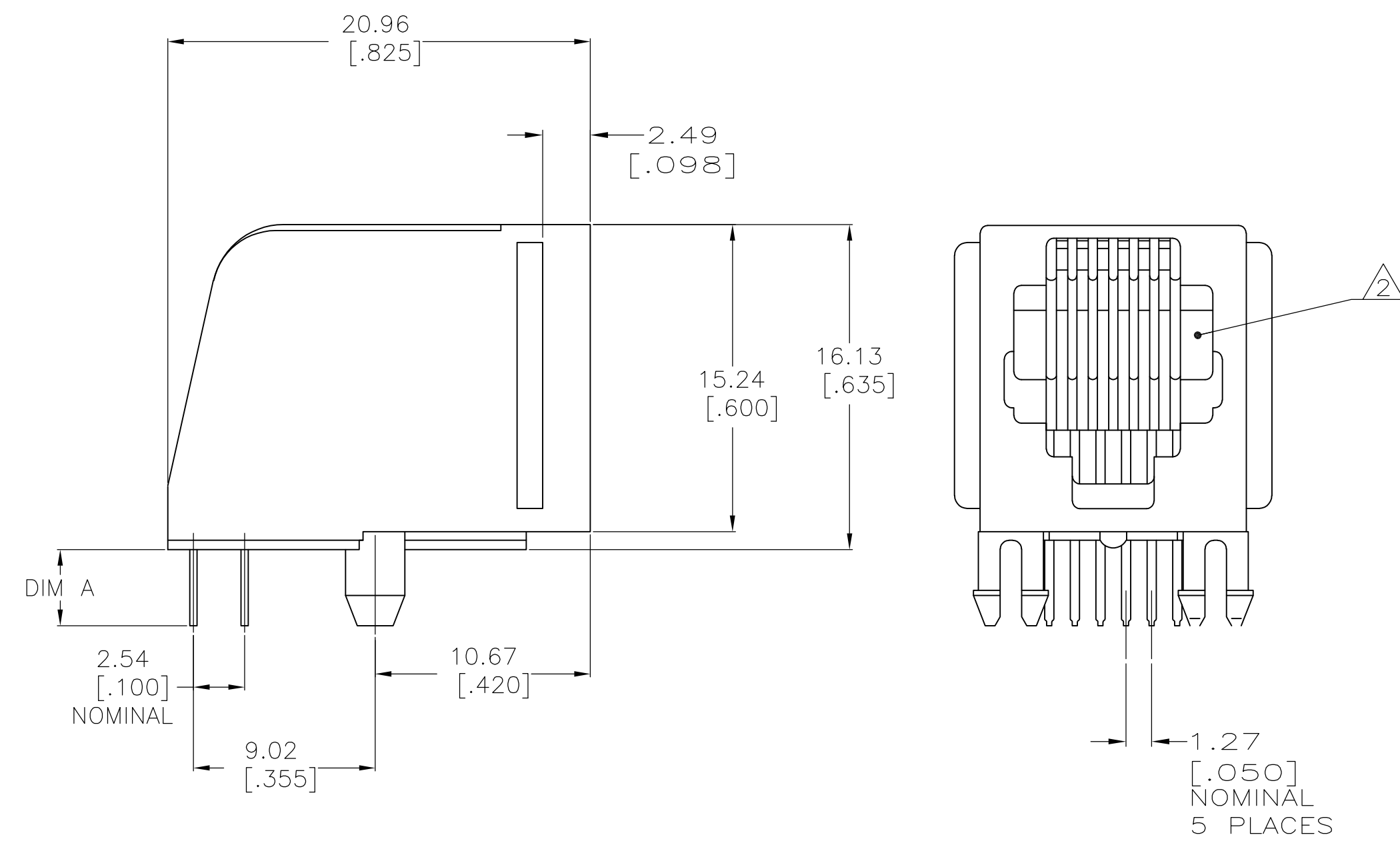
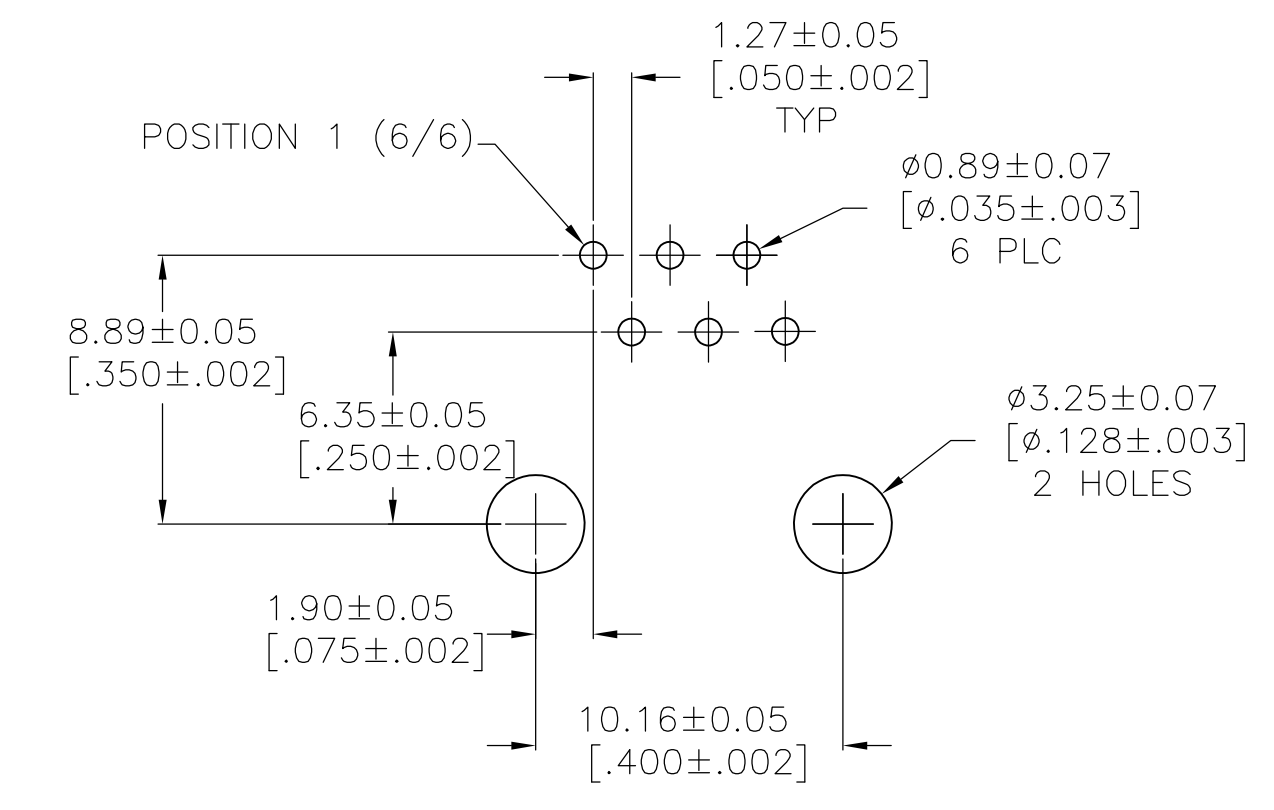
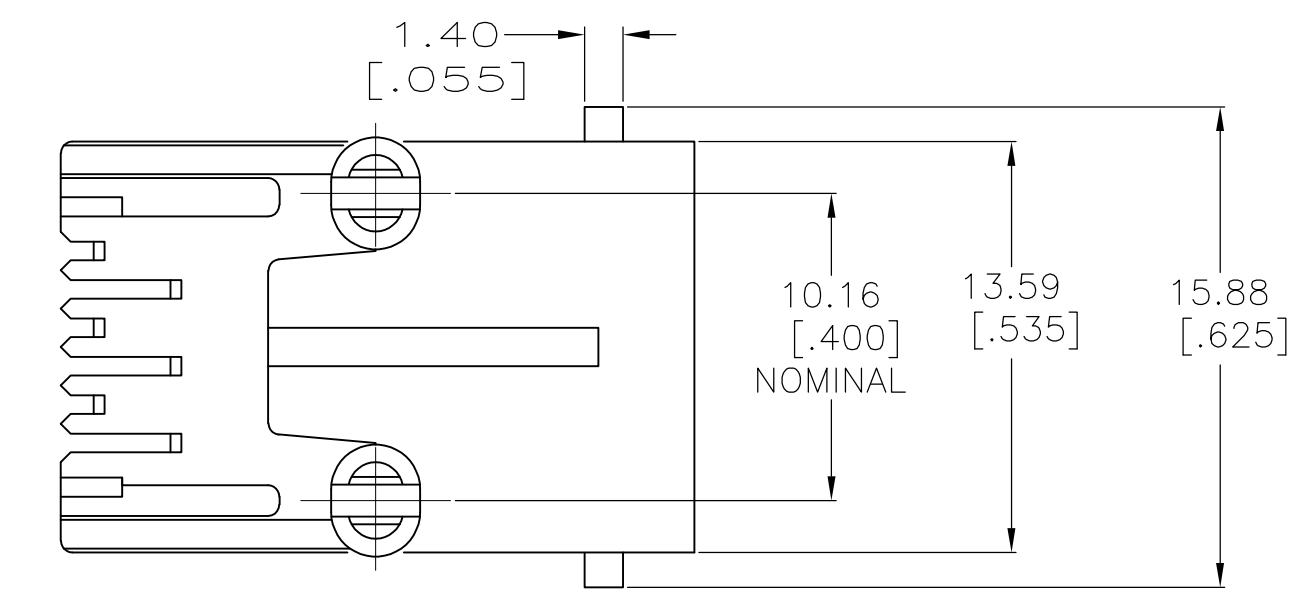


LOC		DIST		REVISIONS			
AA	00	REV	DATE	BY	APP'D	DATE	BY
D	ECO-08-015305		26JUN2008	LAM	PR		



- MATERIAL:
 HOUSING - PBT POLYESTER, COLOR: BLACK
 TERMINAL - 0.36[.014] THICK PHOS BRONZE PLATED WITH (SEE TABLE) MIN HARD GOLD IN LOCALIZED GOLD PLATE AREA AND 2.03µm[.000080] MIN THICK MATTE TIN IN SOLDER AREA OVER 1.27µm[.000050] MIN THICK NICKEL UNDERPLATE
- CAVITY CONFORMS TO FCC RULES AND REGULATIONS PART 68 AND REA BULLETIN 345-81, PE-76 SPECIFICATION FOR MODULAR TELEPHONE HARDWARE.
- 0.15µm[.000006] GOLD PLATED PARTS DO NOT MEET THE MINIMUM GOLD THICKNESS REQUIREMENT OF FCC SPECIFICATION, PART 68. PARTS HAVE NOT BEEN TESTED TO THE DURABILITY REQUIREMENTS OF TE PRODUCT SPEC 108-1163
- TERMINALS FOR 5520250-1, -2, -11 AND -22 LOCATED IN CENTER POSITIONS
- DIMENSIONS ARE MAXIMUM UNLESS OTHERWISE SPECIFIED



RECOMMENDED PRINTED CIRCUIT BOARD LAYOUT COMPONENT SIDE SHOWN

GOLD THICKNESS	DIM A	TERMINALS REQUIRED	PART NUMBER
0.15µm[.000006] \triangle	3.30-4.32 [.130-.170]	6	2-5520250-3
		4 \triangle	2-5520250-2
1.27µm[.000050]	2.16-2.67 [.085-.105]	4 \triangle	1-5520250-1
		6	5520250-3
		4 \triangle	5520250-2
	3.30-4.32 [.130-.170]	2 \triangle	5520250-1

THIS DRAWING IS A CONTROLLED DOCUMENT.

DIMENSIONS: mm [INCHES]	TOLERANCES UNLESS OTHERWISE SPECIFIED:	DIN T. WOOTEN/LA.MAYER 12MAY2005	APPROVED J.WESTMAN 12MAY2005	Tyco Electronics Corporation Harrisburg, PA 17105-3608
	0 PLC ± - 1 PLC ± - 2 PLC ± 0.13[.005] 3 PLC ± - 4 PLC ± - ANGLES ± -	PRODUCT SPEC 108-1163	NAME S.FLICKINGER 12MAY2005	MODULAR JACK ASSEMBLY, 6 POSITION, SIDE ENTRY, FLANGELESS, WITH PANEL STOPS
MATERIAL SEE NOTE 1	FINISH SEE NOTE 1	WEIGHT -	SIZE A1	SCALE 4:1 SHEET 1 OF 1 REV D

CUSTOMER DRAWING