


## Ferrule - AI 0,75- 8 BU S1 - 1200163

Please be informed that the data shown in this PDF Document is generated from our Online Catalog. Please find the complete data in the user's documentation. Our General Terms of Use for Downloads are valid (<http://phoenixcontact.com/download>)



Ferrule, Dimensions according to DIN 46228-4, with color-coded plastic collars according to NF C 63-023:1994-02, for processing with the CRIMPFOX 4 in 1, sleeve length: 8 mm, length: 14 mm, color: blue, number of strips: 10, number of sleeves per strip: 50

### Key Commercial Data

Packing unit	500 pc
Minimum order quantity	500 pc
GTIN	 4 055626 166551
GTIN	4055626166551

### Technical data

#### Dimensions

Length (b)	14 mm
Maximum stripping length	11 mm
Sleeve length	8 mm
Inner dimension of the insulating collar (d)	2.8 mm
Ferrule diameter	1.3 mm
Insulating collar thickness	0.25 mm
Sleeve wall thickness	0.15 mm

#### Ambient conditions

Short-term temperature	120 °C
Max. permanent temperature	105 °C (-40°C no load / 0°C dynamic load)

#### General

Color	blue
Components	free from silicone and halogen
Flammability rating according to UL 94	HB
Material	CU-DHP
Coating	tin-plated (galvanic)

# Ferrule - Al 0,75- 8 BU S1 - 1200163

## Technical data

### General

Conductor category	Stranded conductors, class 2, 5, 6 / B, C, K, M
--------------------	---

### Standards and Regulations

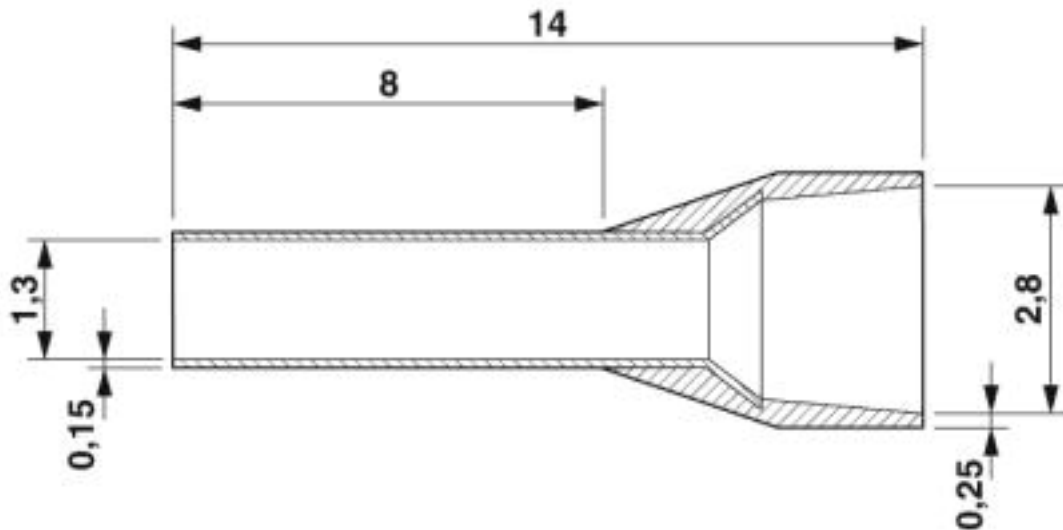
Flammability rating according to UL 94	HB
Design according to standard	DIN 46228-4:2017-05

### Environmental Product Compliance

China RoHS	Environmentally friendly use period: unlimited = EFUP-e
	No hazardous substances above threshold values

## Drawings

Dimensional drawing



## Approvals

Approvals

Approvals

CSA

Ex Approvals

Approval details

## Ferrule - AI 0,75- 8 BU S1 - 1200163

### Approvals

CSA



<http://www.csagroup.org/services-industries/product-listing/>

247397

Phoenix Contact 2019 © - all rights reserved  
<http://www.phoenixcontact.com>

PHOENIX CONTACT GmbH & Co. KG  
Flachsmarktstr. 8  
32825 Blomberg  
Germany  
Tel. +49 5235 300  
Fax +49 5235 3 41200  
<http://www.phoenixcontact.com>