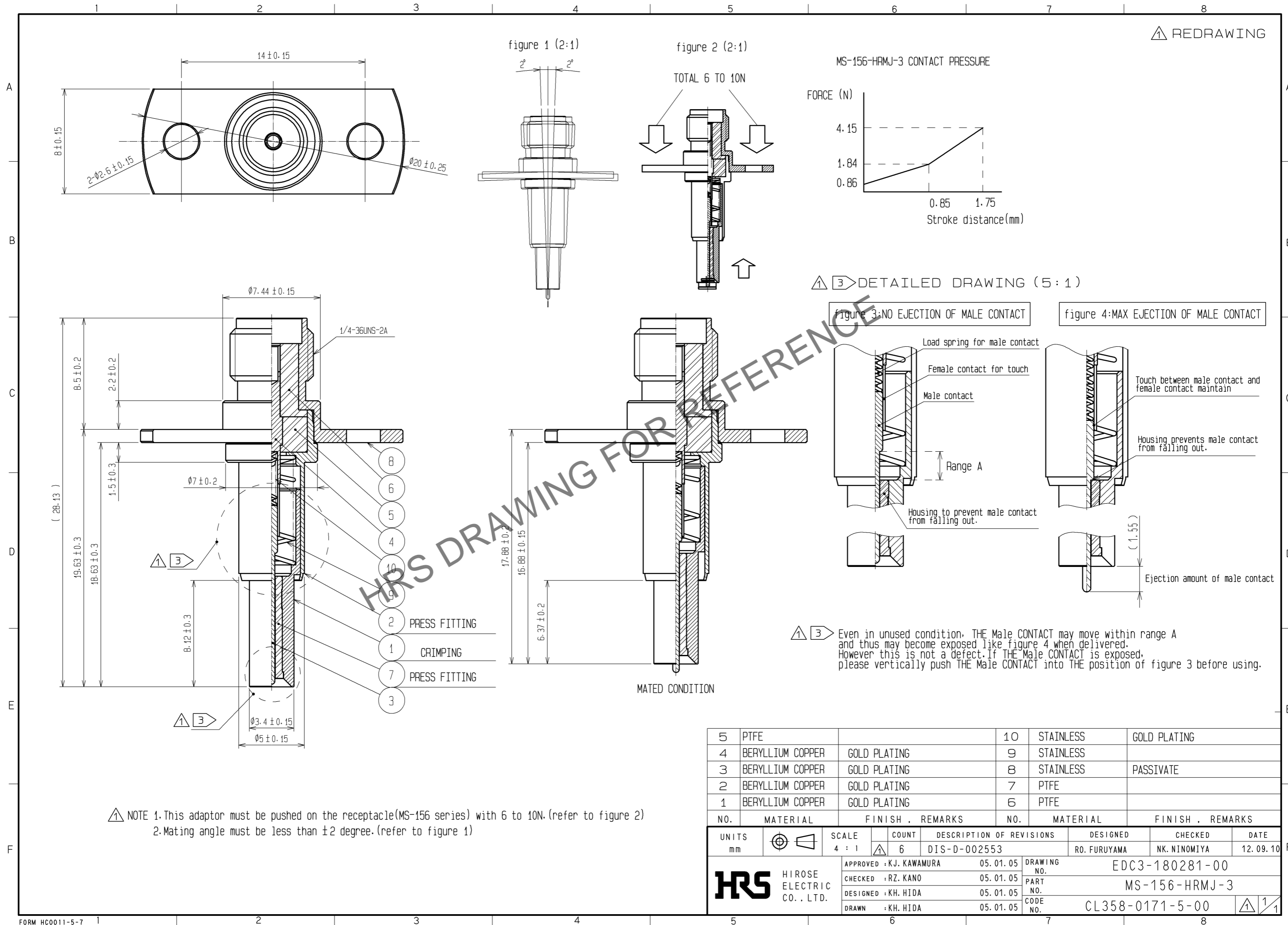


Jun.1.2024 Copyright 2024 HIROSE ELECTRIC CO., LTD. All Rights Reserved.
In case of consideration for using Automotive equipment / device which demand high reliability, kindly contact our sales window correspondents.

△ REDRAWING



△ NOTE 1. This adaptor must be pushed on the receptacle (MS-156 series) with 6 to 10N. (refer to figure 2)
2. Mating angle must be less than ±2 degree. (refer to figure 1)

NO.	MATERIAL	FINISH . REMARKS	NO.	MATERIAL	FINISH . REMARKS
5	PTFE		10	STAINLESS	GOLD PLATING
4	BERYLLIUM COPPER	GOLD PLATING	9	STAINLESS	
3	BERYLLIUM COPPER	GOLD PLATING	8	STAINLESS	PASSIVATE
2	BERYLLIUM COPPER	GOLD PLATING	7	PTFE	
1	BERYLLIUM COPPER	GOLD PLATING	6	PTFE	

UNITS	SCALE	COUNT	DESCRIPTION OF REVISIONS	DESIGNED	CHECKED	DATE
mm	4 : 1	6	DIS-D-002553	RO. FURUYAMA	NK. NINOMIYA	12.09.10

APPROVED	DATE	DRAWING NO.
KJ. KAWAMURA	05.01.05	EDC3-180281-00
CHECKED	DATE	PART NO.
RZ. KANO	05.01.05	MS-156-HRMJ-3
DESIGNED	DATE	CODE NO.
KH. HIDA	05.01.05	CL358-0171-5-00
DRAWN	DATE	
KH. HIDA	05.01.05	