

**Technical specification :**

Rated voltage: IEC 61076-2-101	30 V
Current rating: IEC 61076-2-101	3 A at 40°C
Insulation resistance: IEC 60512	>=100 MΩ
Pollution degree: IEC 60664-1	3/2
Degree of protection: IEC 60529	IP 67, in mated condition
Temperature range:	-30°C ... +80°C
Mating cycles: IEC 60512-9a	>=100

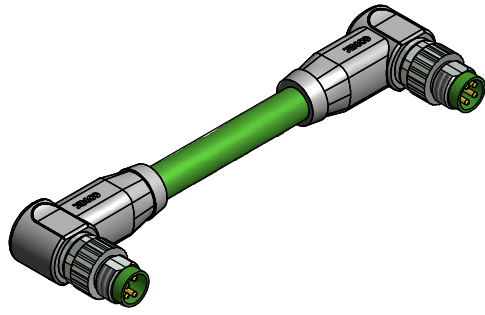
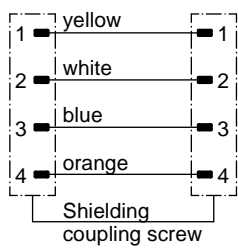
**Materials:**

Contact:	CuZn
Contact plating:	Nickel, gold plated
Contact carrier:	PA, UL 94, similar RAL 6018
Coupling screw:	GD-Zn, nickel plated
Moulding body:	TPU, UL 94, grey
Shielding bush :	CuZn, nickel plated

**Installation specification:**

Recommended torque:	0,4 Nm
Conec installation tool:	Insert across flats 9: 36-000210

**Contact assignment 4pos:**



Part no:	Description:	Length L:	Cable:
42-12262	SAL - 8S - RSW4.78 - RSW4.78 - 1 / G6 / 034	1m	TPU, UL, green, 4xAWG22, Cable: 781-G63400
42-12263	SAL - 8S - RSW4.78 - RSW4.78 - 2 / G6 / 034	2m	
42-12264	SAL - 8S - RSW4.78 - RSW4.78 - 5 / G6 / 034	5m	
42-12265	SAL - 8S - RSW4.78 - RSW4.78 - 10 / G6 / 034	10m	
42-xxxxx	SAL - 8S - RSW4.78 - RSW4.78 - ... / G6 / 034	x	

D see data sheet cable

DO NOT ALTER CAD DRAWING BY HAND Directive 2011/65/EU RoHS compliant	Index a: 03.01.2014 rch Ä5037 Plug body changed	dim. in mm	title: <h2 style="margin: 0;">Connecting cable M8x1, 360°-shielding, male connector angled - male connector angled</h2>									
	tolerance of cable: L ≤ 4m: L + 40mm L > 4m: L + 1%	<table border="1" style="font-size: 8px; width: 100%;"> <tr> <td></td> <td>date</td> <td>name</td> </tr> <tr> <td>drawn</td> <td>16.10.13</td> <td>Christen</td> </tr> <tr> <td>appd.</td> <td>16.10.13</td> <td>Fischer</td> </tr> </table>			date	name	drawn	16.10.13	Christen	appd.	16.10.13	Fischer
		date	name									
	drawn	16.10.13	Christen									
appd.	16.10.13	Fischer										
general tolerance: 0 ± 0,50mm 0,0 ± 0,25mm 0,00 ± 0,10mm		part no:										
THIS DRAWING MAY NOT BE COPIED OR REPRODUCED IN ANY WAY, AND MAY NOT BE PASSED ON TO A THIRD PARTY WITHOUT WRITTEN PERMISSION. OWNERSHIP AND COPYRIGHT OF CONEC GmbH			42K1A582									