

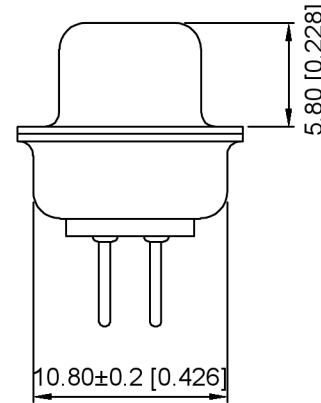
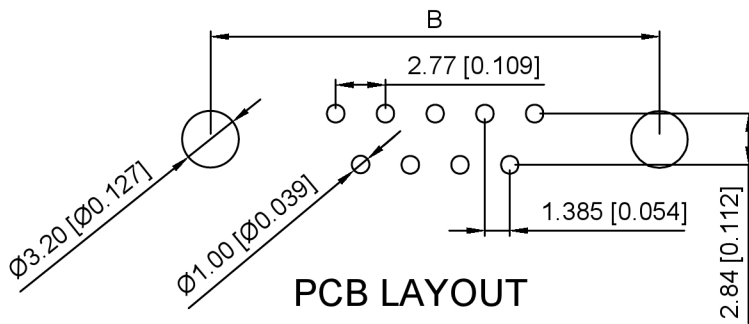
Specifications:

- 规格:
 1. Voltage rating: 250VAC/DC
 额定电压: 250V AC/DC
 2. Current rating: 3A(T) / 5A(C) AC/DC
 额定电流: 3A(T) / 5A(C) AC/DC
 3. Withstanding voltage: 500V AC/minute
 耐受电压: 500V AC/分钟
 4. Temperature range: -55°C ~ +105°C
 温度范围: -55°C ~ +105°C
 5. Insulation resistance: 1000MΩ MIN
 绝缘电阻: 1000MΩ MIN
 6. Contact resistance: 30mΩ Max
 接触电阻: 30mΩ Max
Material:
 材料:
 7. Rubber core: PBT UL94V-0
 胶芯: PBT UL94V-0
 8. The iron shell: SPCC Nickel Plating/Tin Plating/Gold Plating
 铁壳: SPCC, 镀镍/镀锡/镀金
 B、成品不能有弯针，R角不一致等不良。

X02 XX F X X X X
 ① ② ③ ④ ⑤ ⑥ ⑦

- ① Series NO.
 ② Row No. Pin No. XX-09;15;25;37
 ③ Welding Board Angle :F-Female
 ④ T: Tradutional C: Car-pin
 ⑤ Planting Category: 1:1U 2:2U 3:3U 4:5U 5:15U 6:30U 7: AuSn
 ⑥ Color: B-BLACK W-White BL-Blue
 ⑦ 1:TYPE-1; 2:TYPE-2; 5:TYPE-5; 7:TYPE-7

NUMBER OF POSITIONS	DIMENSION			
	A±0.25	B±0.13	C±0.38	D±0.25
9	30.80	24.99	16.35	19.28
15	39.20	33.32	24.75	27.51
25	53.05	47.04	38.35	41.28
37	69.40	63.50	54.75	57.71



铆合方式	TYPE-1: 铆合	TYPE-2: 前铆实心螺母	TYPE-7: 后铆鱼叉	TYPE-5: 铆鱼叉锁螺丝
图示				

DSND	SCALE: N/A	MODEL TYPE: D-USB
DWN	VIEW:	PART NO.: X02XXFXXXX
CHKD	UNIT: mm/in	DWG NO.: X-X02XXFXXXX
APPD	SIZE: A4	WEIGHT SHEET REVISION
XKB INDUSTRIAL PRECISION CO., LIMITED		1/1 A0



广东星坤科技股份有限公司

文件工程章

DATE: _____

REVISIONS

UNSPECIFIED TOLERANCES

DATE	REVISED	APPROVED	DESCRIPTION

ANGLAR	±5°
L ≤ 4	±0.2
4 < L ≤ 16	±0.3
16 < L ≤ 63	±0.4
L > 63	±0.5