

DRG. NO. 6925D33A

REV. A

6925-33

TUNING ELEMENT

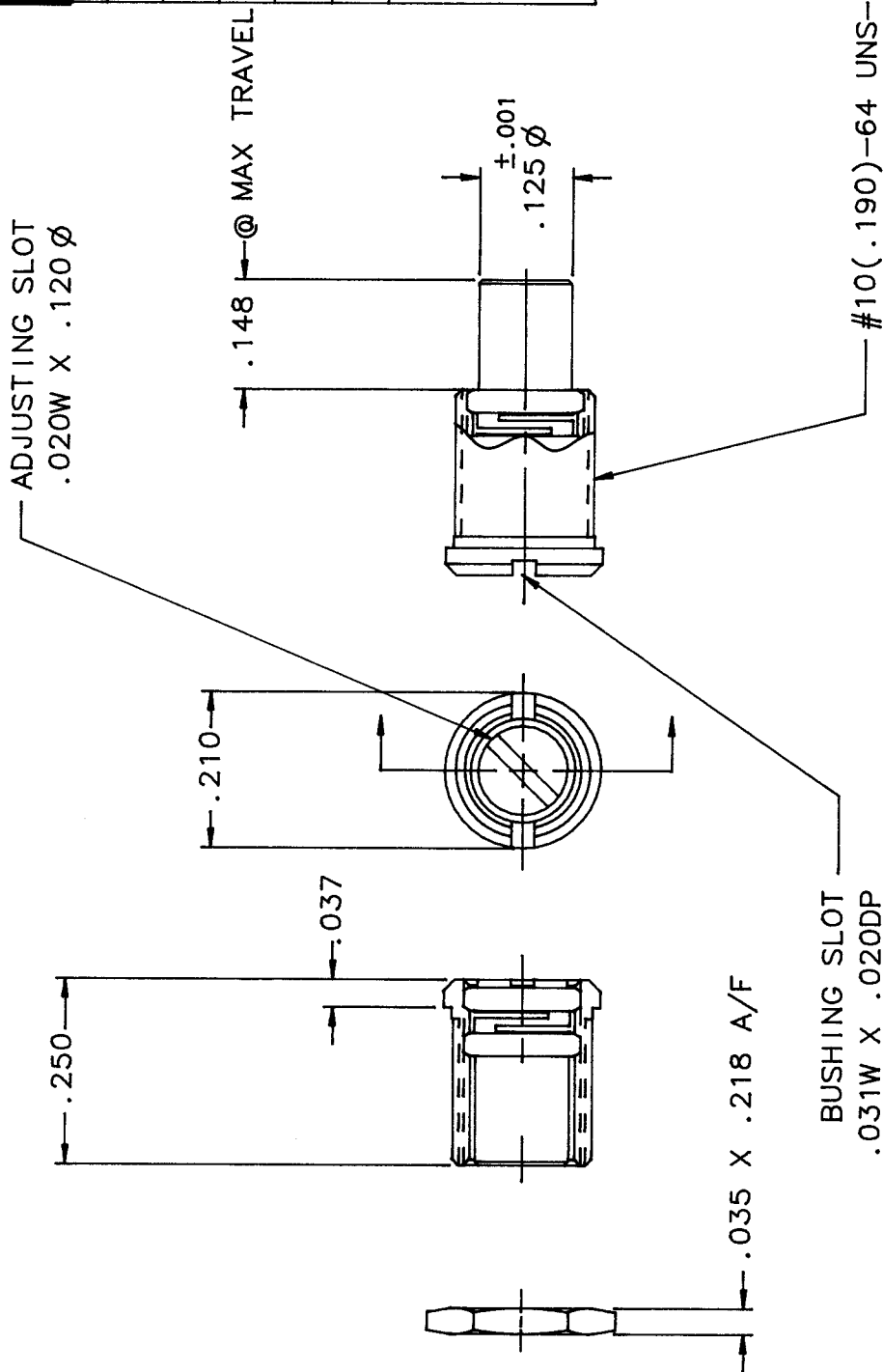
SPECIFICATIONS

LOW CONTACT RESISTANCE	<0.01 OHMS
ROTATIONAL LIFE	>1000 REVOLUTIONS
TORQUE	1.0 TO 4.0 OZ. IN.
CONCENTRICITY	WITHIN .002 T.I.R.

BRASS STRUCTURE

APPLICATION:

FOR HIGH Q VARIABLE REACTANCE TUNING OF UHF AND MICROWAVE COILS, CAVITIES, FILTERS, AND OTHER RESONANT STRUCTURES.



.035 X .218 A/F

BUSHING SLOT  
.031W X .020DP

A	08/23/93	RJV	ECN 930-053
LEVEL	DATE	CHK./APP.	ECN

REVISIONS

DRN.	CHK.	APP.	SCALE
MAW	<i>[Signature]</i>	<i>H.C.</i>	4" = 1"
DATE	DATE	DATE	.XX ± .015
08/23/93	8/23/93	8-24-93	.XXX ± .005

**JOHANSON MANUFACTURING CORPORATION**  
 ROCKAWAY VALLEY ROAD, BOONTON, NJ 07005 201 334-2676 FAX 201 334-2954  
 ELECTRONIC ACCURACY THROUGH MECHANICAL PRECISION



PROPRIETARY INFORMATION CONTAINED NOT TO BE USED WITHOUT JOHANSON MANUFACTURING CORPORATION APPROVAL