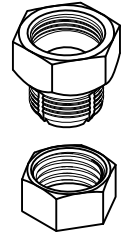
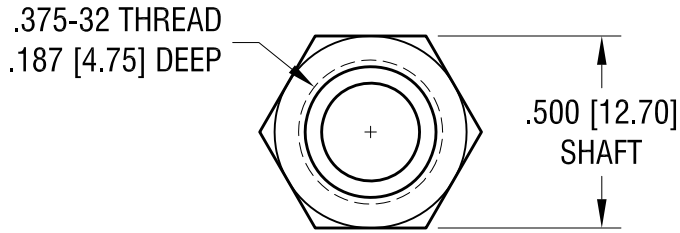
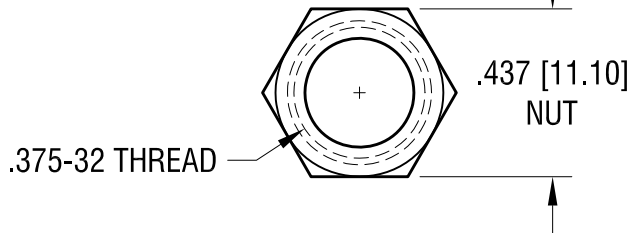
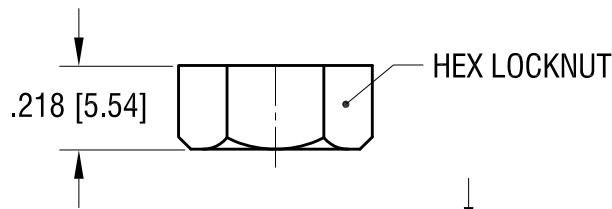
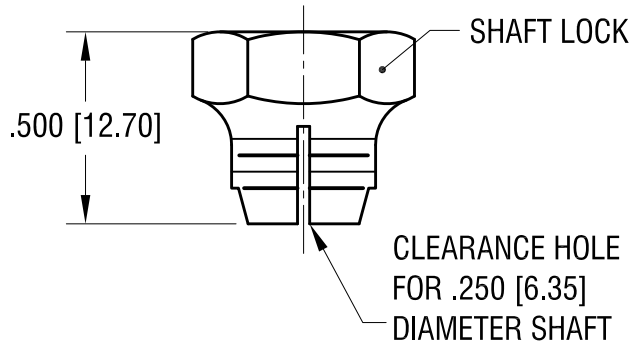


THIS DOCUMENT IS THE PROPERTY OF KEYSTONE ELECTRONICS CORP. AND SHALL NOT BE REPRODUCED, DISTRIBUTED OR USED AS A BASIS FOR MANUFACTURE WITHOUT PRIOR WRITTEN PERMISSION FROM KEYSTONE ELECTRONICS CORP.



ACTUAL SIZE  
(SHOWN AS SUPPLIED)



3.25.24	WAS SUPPLIED ASSEMBLED CHANGE AS PER PCN 24-023	D
11.14.02	CHANGE AS PER ECN 02-076	C
5.19.97	CHANGE AS PER ECR 97-025	B
7.14.89	REVISED	A
DATE	DESCRIPTION	REV.

<b>KEYSTONE ELECTRONICS CORP.</b>			
www.keyelco.com • NEW HYDE PARK NY 11040 • Tel (516)328-7500			
PART NAME		SHAFT LOCK	
MATERIAL		BRASS	
FINISH		DRN BY	DATE
NICKEL PLATE		BOONE	12.11.84
		APP'D	SCALE
		<b>MR</b>	2X
TOLERANCES	INCH [MM]	CODE	DWG NO.
DECIMAL	± .005 [± 0.13]	C	1701
ANGULAR	± 1°		
UNLESS OTHERWISE SPECIFIED			