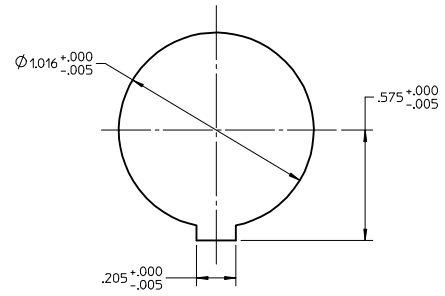
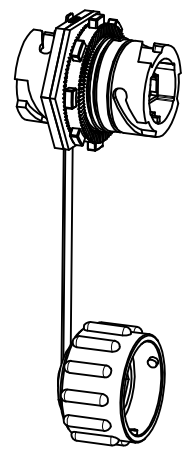


LC IN-LINE ADAPTER P/N	CONNECTOR TYPE
1060593100	SINGLE MODE
1060593110	MULTIMODE
1060593120	APC

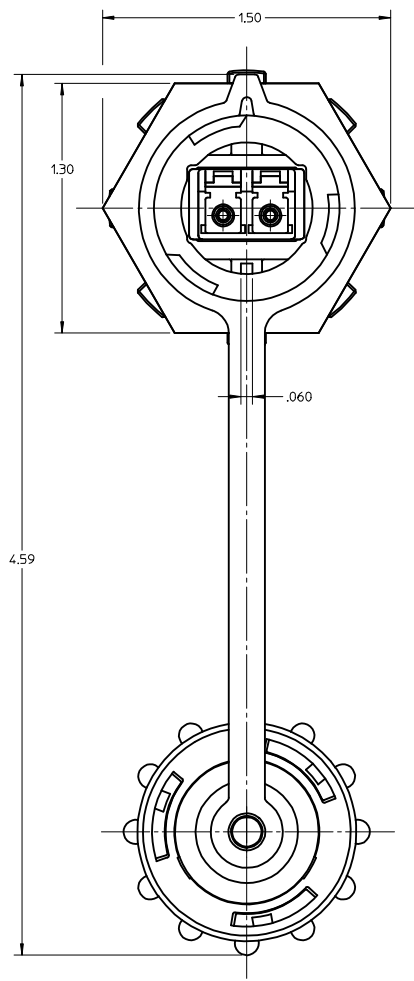
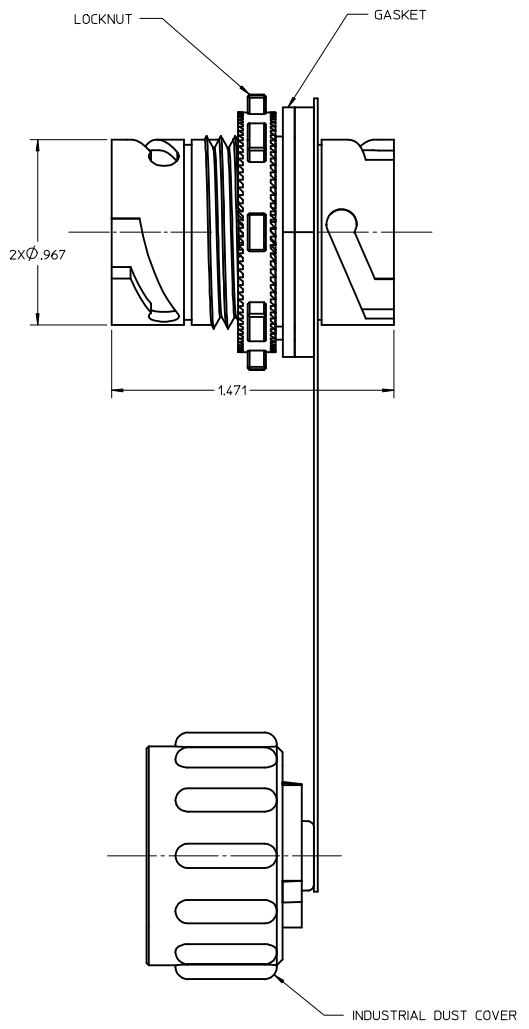


RECOMMENDED MOUNTING CUTOUT



ISOMETRIC VIEW
SCALE: 1:1

NOTES:
ALL DIMENSIONS ARE FOR REFERENCE ONLY.



ENTER DESCRIPTION EC NO: MF2007-0511 DRW: DBAL TRUKONIS CHKD: 2007/02/12 APPR: IGJMIN 2007/02/12 REV B	QUALITY SYMBOLS $\nabla=0$ $\nabla=0$	GENERAL TOLERANCES (UNLESS SPECIFIED) <table border="1"> <tr> <td></td> <td>mm</td> <td>INCH</td> </tr> <tr> <td>4 PLACES</td> <td>$\pm .005$</td> <td>$\pm .0004$</td> </tr> <tr> <td>3 PLACES</td> <td>$\pm .005$</td> <td>$\pm .0004$</td> </tr> <tr> <td>2 PLACES</td> <td>$\pm .005$</td> <td>$\pm .0004$</td> </tr> <tr> <td>1 PLACE</td> <td>$\pm .005$</td> <td>$\pm .0004$</td> </tr> </table>		mm	INCH	4 PLACES	$\pm .005$	$\pm .0004$	3 PLACES	$\pm .005$	$\pm .0004$	2 PLACES	$\pm .005$	$\pm .0004$	1 PLACE	$\pm .005$	$\pm .0004$	DIMENSION STYLE INCH ONLY DRAWN BY DATE D.B. 2006/6/30 CHECKED BY DATE	SCALE 2:1 DESIGN UNITS INCH THIRD ANGLE PROJECTION	LC IN-LINE INDUSTRIAL ADAPTER
		mm	INCH																	
	4 PLACES	$\pm .005$	$\pm .0004$																	
	3 PLACES	$\pm .005$	$\pm .0004$																	
2 PLACES	$\pm .005$	$\pm .0004$																		
1 PLACE	$\pm .005$	$\pm .0004$																		
DRAFT WHERE APPLICABLE MUST REMAIN WITHIN DIMENSIONS	APPROVED BY DATE I.G. 2006/6/30	MATERIAL NO. 10605931X0	DOCUMENT NO. SD-106059-31X0	SHEET NO. 1 OF 1	MOLEX INCORPORATED															
		SIZE C	THIS DRAWING CONTAINS INFORMATION THAT IS PROPRIETARY TO MOLEX INCORPORATED AND SHOULD NOT BE USED WITHOUT WRITTEN PERMISSION																	