

173716-1 ✓ ACTIVE

AMP | Multilock Connector System

TE Internal #: 173716-1

Receptacle, Mating Tab Width 1 mm [.039 in], Tab Thickness .64 mm [.025 in], 22 – 20 AWG Wire Size, Multilock Connector System, Automotive Terminals

[View on TE.com >](#)



Terminals & Splices > Automotive Terminals > MULTILOCK, RECEPTACLE AND TAB



Terminal Type: **Receptacle**

Mating Tab Width: **1 mm [.039 in]**

Mating Tab Thickness: **.64 mm [.025 in]**

Terminal Transmits: **0 – 24 A (Low Power)**

Wire Size: **22 – 20 AWG**

[All MULTILOCK, RECEPTACLE AND TAB \(111\)](#)

Features

Product Type Features

Receptacle Style	180°
Sealable	No
Primary Locking Feature	Clean Body

Contact Features

Contact Size	1mm
Contact Fabrication	Stamped & Formed
Wire Contact Termination Area Plating Material	Tin
Typical Current Rating	5 A
Crimp Type	F-Crimp
Terminal Type	Receptacle
Mating Tab Width	1 mm [.039 in]
Mating Tab Thickness	.64 mm [.025 in]
Interface Plating	Tin (Sn)

Termination Features

Termination Method to Wire & Cable	Crimp
Product Terminates To	Wire

Dimensions

Compatible Insulation Diameter Range	1.8 – 2 mm [.07 – .079 in]
Wire Size	.3 – .5 mm ²
Wire Size Search	20 AWG, 21 AWG, 22 AWG

Usage Conditions

Insulation Option	Uninsulated
Operating Temperature (Max)	80 °C, 85 °C, 90 °C, 100 °C, 105 °C [176 °F][185 °F][194 °F][212 °F][221 °F]
Operating Temperature Range	-30 – 105 °C [-22 – 221 °F]

Packaging Features

Packaging Quantity	5000
Packaging Method	Reel

Other

Terminal Transmits	0 – 24 A (Low Power)
--------------------	----------------------

Product Compliance

[For compliance documentation, visit the product page on TE.com>](#)



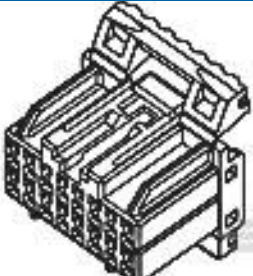
EU RoHS Directive 2011/65/EU	Compliant
EU ELV Directive 2000/53/EC	Compliant
China RoHS 2 Directive MIIT Order No 32, 2016	No Restricted Materials Above Threshold
EU REACH Regulation (EC) No. 1907/2006	Current ECHA Candidate List: JUNE 2024 (241) Candidate List Declared Against: JUNE 2024 (241) Does not contain REACH SVHC
Halogen Content	Low Halogen - Br, Cl, F, I < 900 ppm per homogenous material. Also BFR/CFR/PVC Free
Solder Process Capability	Not applicable for solder process capability

Product Compliance Disclaimer

This information is provided based on reasonable inquiry of our suppliers and represents our current actual knowledge based on the information they provided. This information is subject to change. The part numbers that TE has identified as EU RoHS compliant have a maximum concentration of 0.1% by weight in homogenous materials for lead, hexavalent chromium, mercury, PBB, PBDE, DBP, BBP, DEHP, DIBP, and 0.01% for cadmium, or qualify for an exemption to these limits as defined in the Annexes of Directive 2011/65/EU (RoHS2). Finished electrical and electronic equipment products will be CE marked as required by Directive 2011/65/EU. Components may not be CE marked. Additionally, the part numbers that TE has identified as EU ELV compliant have a maximum concentration of 0.1% by weight in homogenous materials for lead, hexavalent chromium, and mercury, and 0.01% for cadmium, or qualify for an exemption to these limits as defined in the Annexes of Directive 2000/53/EC (ELV). Regarding the REACH Regulation, the information TE provides

on SVHC in articles for this part number is based on the latest European Chemicals Agency (ECHA) 'Guidance on requirements for substances in articles' posted at this URL: <https://echa.europa.eu/guidance-documents/guidance-on-reach>

Compatible Parts

 <p>TE Part # 755430-1 EXT TOOL FOR DOUBLE LOOK</p>	 <p>TE Part # CAT-M9194-CH8172 MULTILOCK, CONNECTOR HOUSING</p>	 <p>TE Part # 58522-2 PRO-CRMPR II DIE</p>	 <p>TE Part # 91577-1 CCII 040 SERIES REC TAB 22-20 ASSY</p>
 <p>TE Part # 2151184-1 OCEAN_2.0_APPLICATOR-S-062F070BX-RSM</p>	 <p>TE Part # 2151184-2 OCEAN_2.0_APPLICATOR-S-062F070BX-RSA</p>	 <p>TE Part # 2305570-1 Strip Terminal Cutter-Side Feed-No Crimp</p>	 <p>TE Part # 5-2151184-1 OCEAN_2.0_APPLICATOR-S-062F070BX-RSM</p>
 <p>TE Part # 5-2151184-2 OCEAN_2.0_APPLICATOR-S-062F070BX-RSA</p>	 <p>KIT REPRESENTATION ONLY</p> <p>TE Part # 7-2151184-7 OCEAN_2.0_SPARE_PART_KIT-062F070BX</p>	 <p>KIT REPRESENTATION ONLY</p> <p>TE Part # 7-2266366-7 OC-062F070BX-752-CRIMP TOOLINGKIT</p>	 <p>TE Part # 175567-6 HYBRID I/O PLUG HSG 26P GRAY</p>
 <p>TE Part # 174515-5 040/070 HYBRID PLUG 22P BLUE</p>	 <p>TE Part # 176204-1 040/070 HYBRID 3ROW PLUG 26P</p>	 <p>TE Part # 368135-7 040/070 HYB 22P PLUG HSG YELLO</p>	

Also in the Series | **Multilock Connector System**



Automotive Connector Caps & Covers (10)



Automotive Connector Locks & Position Assurance (3)



Automotive Housings (445)



Automotive Terminals (117)



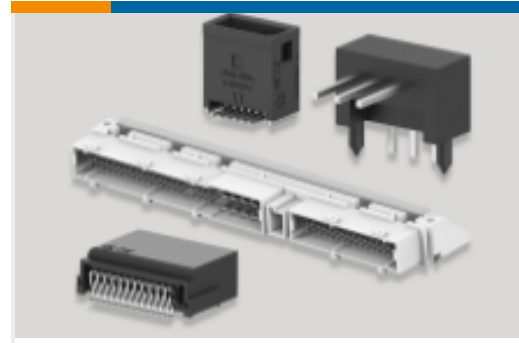
Connector Seals & Cavity Plugs (2)



Insertion & Extraction Tools (6)

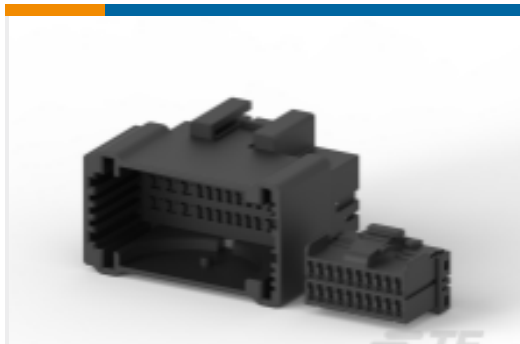


Other Automotive Connector Accessories (12)

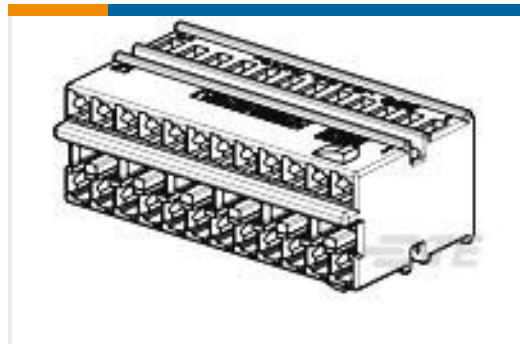


PCB Headers & Receptacles (134)

Customers Also Bought



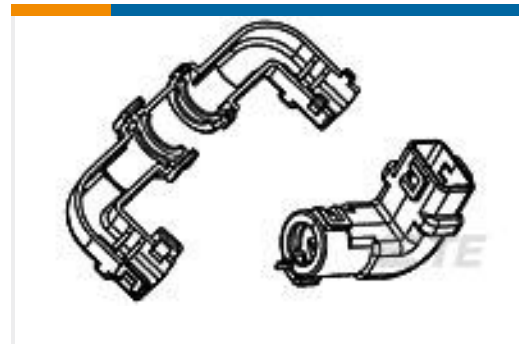
TE Part #368135-6
MULTILOCK, CONNECTOR HOUSING



TE Part #284224-5
24 POS. REC. CONN. ASS'Y FOR AIR BAG



TE Part #2819105-1
HSG FEMALE ASSY 64 WAYS



TE Part #936458-2
COVER HSG FOR JPT 2P ASSY



TE Part #1-2351081-1
TPA TAB HSG, 6 POS, HYBRID



TE Part #1-2355694-3
4 POS, MCON 1.2, REC HSG ASSY, SLD, COD C

Documents

Product Drawings

[040 HDIO REC CONT](#)

English

CAD Files

[Customer View Model](#)

[ENG_CVM_173716-1_O1.3d_igs.zip](#)

English

[Customer View Model](#)



[ENG_CVM_173716-1_O1.3d_stp.zip](#)

English

Customer View Model

[ENG_CVM_173716-1_O1.2d_dxf.zip](#)

English

3D PDF

English

By downloading the CAD file I accept and agree to the [Terms and Conditions](#) of use.

Datasheets & Catalog Pages

MULTILOCK Connector System

English

Product Specifications

Application Specification

English

Crimping .040 Series Receptacle Contact

English

Instruction Sheets

Customer Manual (non U.S.)

Japanese

.040 Series Multilock I/O Connector Mark II

Japanese

HYBRID I/O CONNECTOR

English

Customer Manual (non U.S.)

English

HYBRID I/O CONNECTOR

English

Customer Manual (non U.S.)

English

Customer Manual (non U.S.)

Japanese

.040 Series, Multilock I/O Connector, Mark II

Japanese