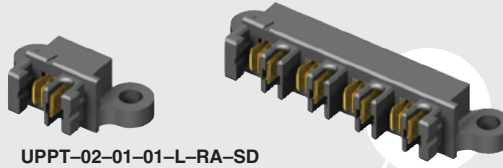
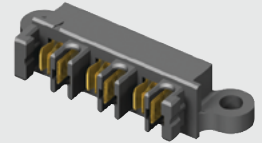


UPPT-08-01-01-L-RA-SD



UPPT-02-01-01-L-RA-SD



UPPT-06-01-01-L-RA-SD

**UPPT SERIES**

**(3.81 mm) .150"**

# HERMAPHRODITIC 20 A POWER SYSTEM

**SPECIFICATIONS**

For complete specifications see [www.samtec.com?UPPT](http://www.samtec.com?UPPT)

**Insulator Material:**

Black LCP

**Terminal Material:**

Copper Alloy

**Plating:**

Sn or Au over 50 μm

(1.27 μm) Ni

**Operating Temp Range:**

-55 °C to +105 °C with Tin;

-55 °C to +125 °C with Gold

**Voltage Rating:**

425 VAC/600 VDC

**Standard Creepage:**

(1.91 mm) .075"

**Standard Clearance:**

(1.51 mm) .059"

**RoHS Compliant:**

Yes

**Lead-Free Solderable:**

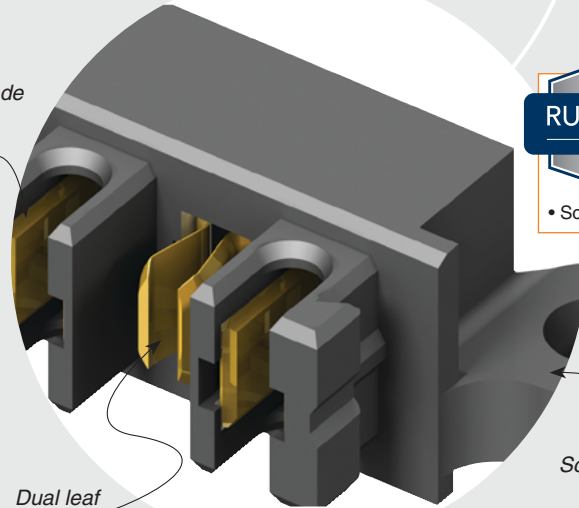
Yes

Mates with:

UPPT

UPPT/UPPT	
PINS	CURRENT RATING (PER CONTACT)
1	21.4 A
2	19.8 A
3	17.1 A
4	16.9 A
8	14.1 A

Dual blade post



Dual leaf contacts

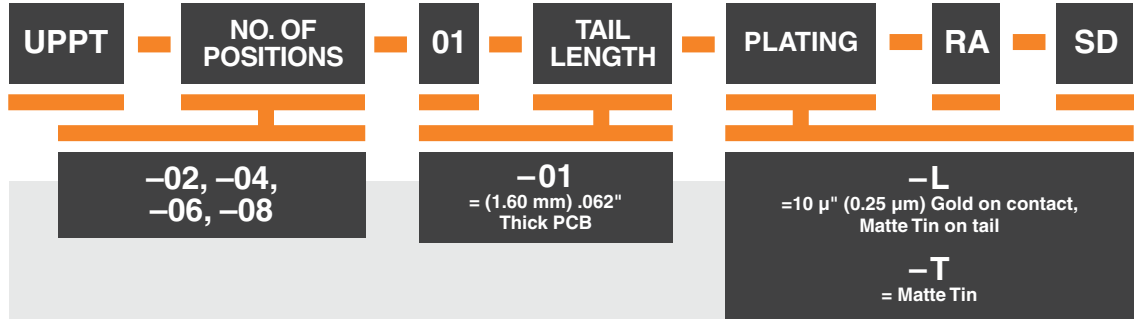


• Screw down option

Screw Down

**RECOGNITIONS**

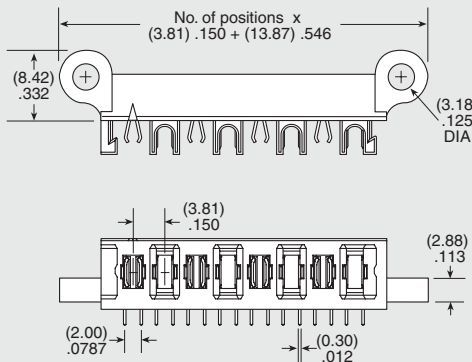
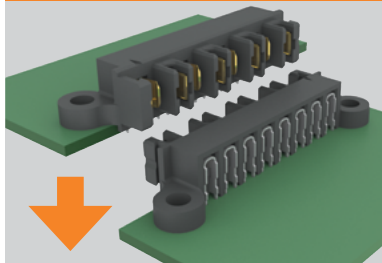
For complete scope of recognitions see [www.samtec.com/quality](http://www.samtec.com/quality)



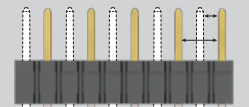
**ALSO AVAILABLE (MOQ Required)**

- Solder Leads for (2.36 mm) .093" thick board
- Locking Clip (Manual placement required)
- Tape & Reel Packaging

**APPLICATION**



**CREEPAGE AND CLEARANCE**



Selectively loading contacts achieves customer specific creepage and clearance requirements. Contact [asp@samtec.com](mailto:asp@samtec.com)

**Note:** Some sizes, styles and options are non-standard, non-returnable.

Due to technical progress, all designs, specifications and components are subject to change without notice.

[WWW.SAMTEC.COM](http://WWW.SAMTEC.COM)

All parts within this catalog are built to Samtec's specifications. Components must be approved by Samtec and identified in a Samtec customer-specific drawing to apply.