



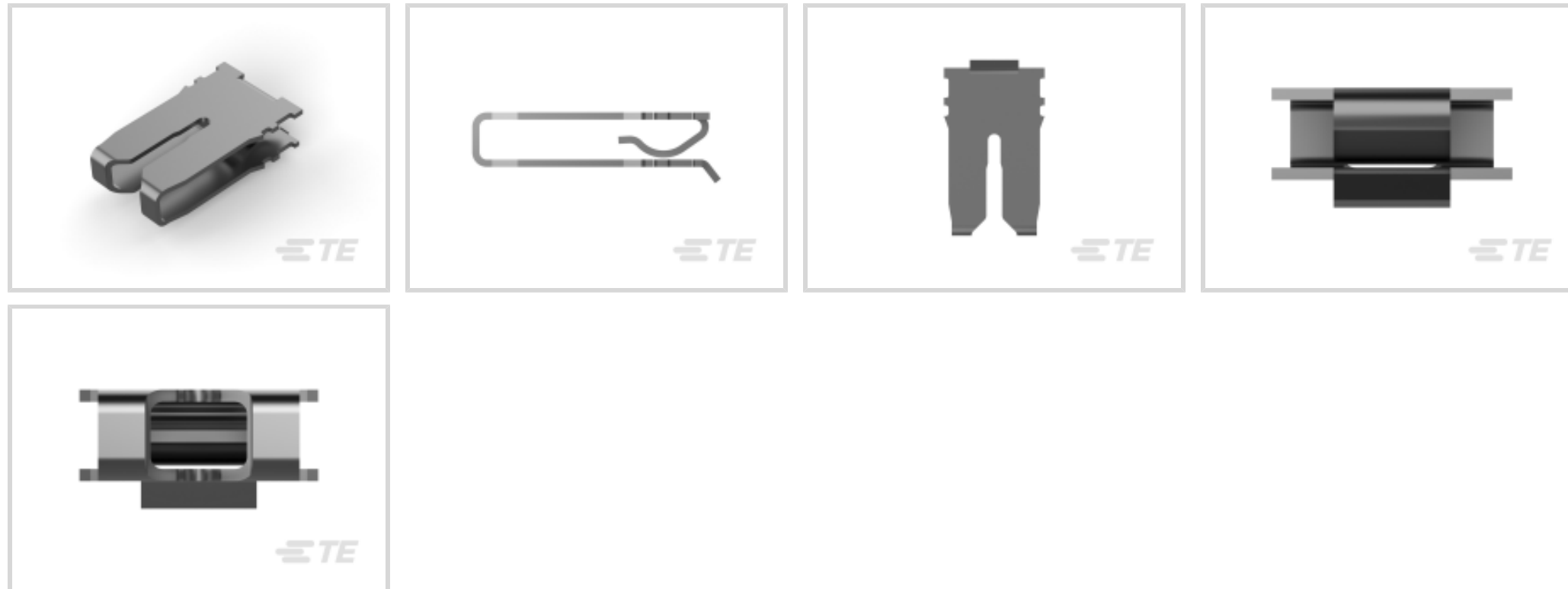
**MAG-MATE**

TE Internal #: 1217355-1

Poke-In, Size 4, 1.29 – 1.45 mm Magnet Wire, 16 – 15 AWG Magnet Wire, Insulation Displacement (IDC), Tin Plating, MAG-MATE, Magnet Wire Terminals

[View on TE.com >](#)

Terminals & Splices > Magnet Wire Terminals



Magnet Wire Terminal Type: **Poke-In**

Compatible With Cavity Size: **Size 4**

Magnet Wire Size: **1.29 – 1.45 mm**

Termination Method to Wire & Cable: **Insulation Displacement (IDC)**

**Features**

**Product Type Features**

Compatible With Discrete Wire Type	Magnet Wire, Solid
------------------------------------	--------------------

**Body Features**

Compatible With Cavity Size	Size 4
-----------------------------	--------

**Contact Features**

Magnet Wire Terminal Type	Poke-In
Terminal Plating Material	Tin
Contact Underplating Material	Nickel
Terminal Orientation	Twisted

**Termination Features**

Termination Method to Wire & Cable	Insulation Displacement (IDC)
------------------------------------	-------------------------------

**Dimensions**

Terminal Height	12.83 mm[.505 in]
Magnet Wire Size	1.29 – 1.45 mm
Stock Thickness (Magnet Wire Side)	.4 mm[.016 in]



Product Length 13.08 mm[.514 in]

**Usage Conditions**

Insulation Option Uninsulated

**Operation/Application**

Compatible With Wire Base Material Copper

**Packaging Features**

Packaging Method Reel, Reel/Carton

**Product Compliance**

[For compliance documentation, visit the product page on TE.com>](#)

EU RoHS Directive 2011/65/EU Compliant

EU ELV Directive 2000/53/EC Compliant

China RoHS 2 Directive MIIT Order No 32, 2016 No Restricted Materials Above Threshold

EU REACH Regulation (EC) No. 1907/2006  
 Current ECHA Candidate List: JUNE 2024 (241)  
 Candidate List Declared Against: JUNE 2024 (241)  
 Does not contain REACH SVHC

Halogen Content Low Halogen - Br, Cl, F, I < 900 ppm per homogenous material. Also BFR/CFR/PVC Free

Solder Process Capability Not applicable for solder process capability

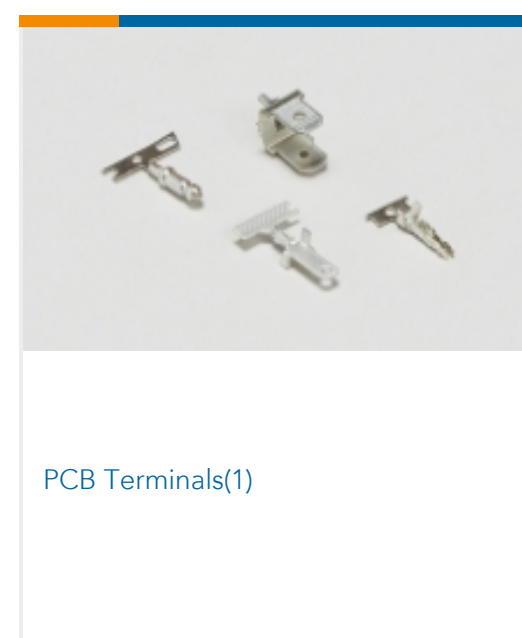
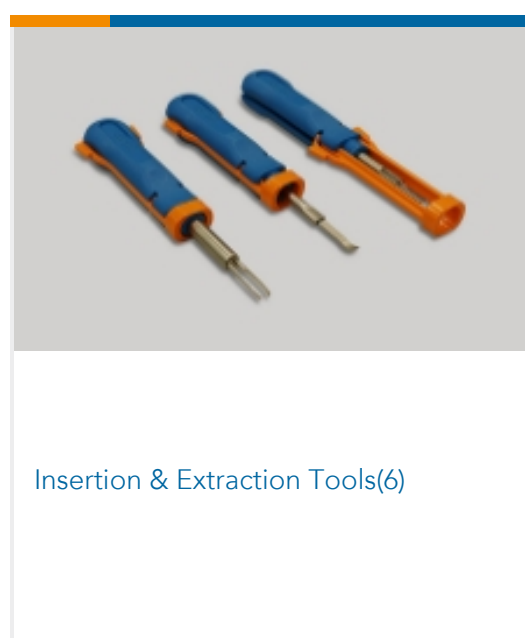
**Product Compliance Disclaimer**

This information is provided based on reasonable inquiry of our suppliers and represents our current actual knowledge based on the information they provided. This information is subject to change. The part numbers that TE has identified as EU RoHS compliant have a maximum concentration of 0.1% by weight in homogenous materials for lead, hexavalent chromium, mercury, PBB, PBDE, DBP, BBP, DEHP, DIBP, and 0.01% for cadmium, or qualify for an exemption to these limits as defined in the Annexes of Directive 2011/65/EU (RoHS2). Finished electrical and electronic equipment products will be CE marked as required by Directive 2011/65/EU. Components may not be CE marked. Additionally, the part numbers that TE has identified as EU ELV compliant have a maximum concentration of 0.1% by weight in homogenous materials for lead, hexavalent chromium, and mercury, and 0.01% for cadmium, or qualify for an exemption to these limits as defined in the Annexes of Directive 2000/53/EC (ELV). Regarding the REACH Regulation, the information TE provides on SVHC in articles for this part number is based on the latest European Chemicals Agency (ECHA) 'Guidance on requirements for substances in articles' posted at this URL: <https://echa.europa.eu/guidance-documents/guidance-on-reach>

**Compatible Parts**

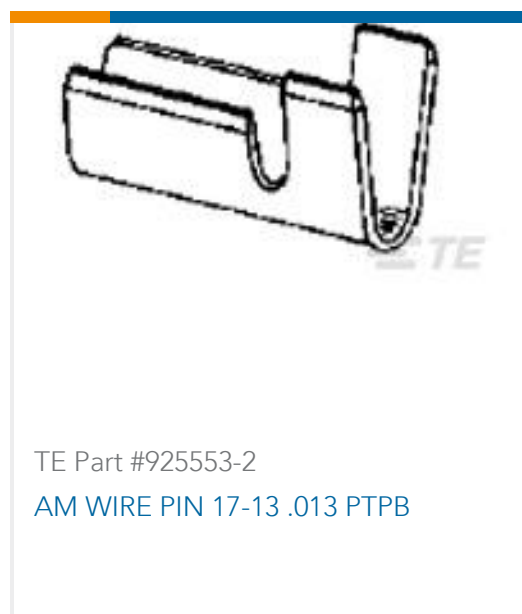


Also in the Series | **MAG-MATE**



Customers Also Bought





## Documents

### Product Drawings

[MAG-MATE TERM 16-15 0157 TPNBR](#)

English

### CAD Files

[3D PDF](#)

3D

Customer View Model

[ENG\\_CVM\\_CVM\\_1217355-1\\_D.2d\\_dxf.zip](#)

English

Customer View Model

[ENG\\_CVM\\_CVM\\_1217355-1\\_D.3d\\_igs.zip](#)

English

Customer View Model

[ENG\\_CVM\\_CVM\\_1217355-1\\_D.3d\\_stp.zip](#)

English

By downloading the CAD file I accept and agree to the [Terms and Conditions](#) of use.

### Datasheets & Catalog Pages

[Magnet Wire Terminals & Splices](#)

English

### Product Specifications

[Application Specification](#)

English