



Backing plate round, for EMERGENCY STOP mushroom-type actuator, yellow, self-adhesive, outer diameter 75 mm, inside diameter 23 mm, with inscription: EMERGENCY STOP in Chinese

product brand name	SIRIUS ACT
product designation	EMERGENCY STOP backing plate
product type designation	3SU1

General technical data

shock resistance for railway applications according to EN 61373	Category 1, Class B
vibration resistance for railway applications according to EN 61373	Category 1, Class B
Substance Prohibition (Date)	10/01/2014

Ambient conditions

ambient temperature	
<ul style="list-style-type: none"> during operation 	70 ... -25 °C
<ul style="list-style-type: none"> during storage and transport 	80 ... -40 °C

Accessories

material of accessory	Plastic
fastening method of label	stick
marking of backing plate	((EMERGENCY OFF in Chinese))
shape of backing plate	Round
color of backing plate	yellow (plate); black (text)
product function illuminated backing plate	No

Certificates/ approvals

General Product Approval	Declaration of Conformity
--------------------------	---------------------------



[Confirmation](#)



Test Certificates **Marine / Shipping**

[Type Test Certificates/Test Report](#)

[Special Test Certificate](#)



other **Environment**

[Confirmation](#)

[Environmental Confirmations](#)

Further information

Siemens has decided to exit the Russian market (see here).

<https://press.siemens.com/global/en/pressrelease/siemens-wind-down-russian-business>

Siemens is working on the renewal of the current EAC certificates.

Please contact your local Siemens office on the status of validity of the EAC certification if you intend to import or offer to supply these products to an EAC relevant market (other than the sanctioned EAEU member states Russia or Belarus).

Information on the packaging

<https://support.industry.siemens.com/cs/ww/en/view/109813875>

Information- and Downloadcenter (Catalogs, Brochures,...)

<https://www.siemens.com/ic10>

Industry Mall (Online ordering system)

<https://mall.industry.siemens.com/mall/en/en/Catalog/product?mlfb=3SU1900-0BC31-0MA0>

Cax online generator

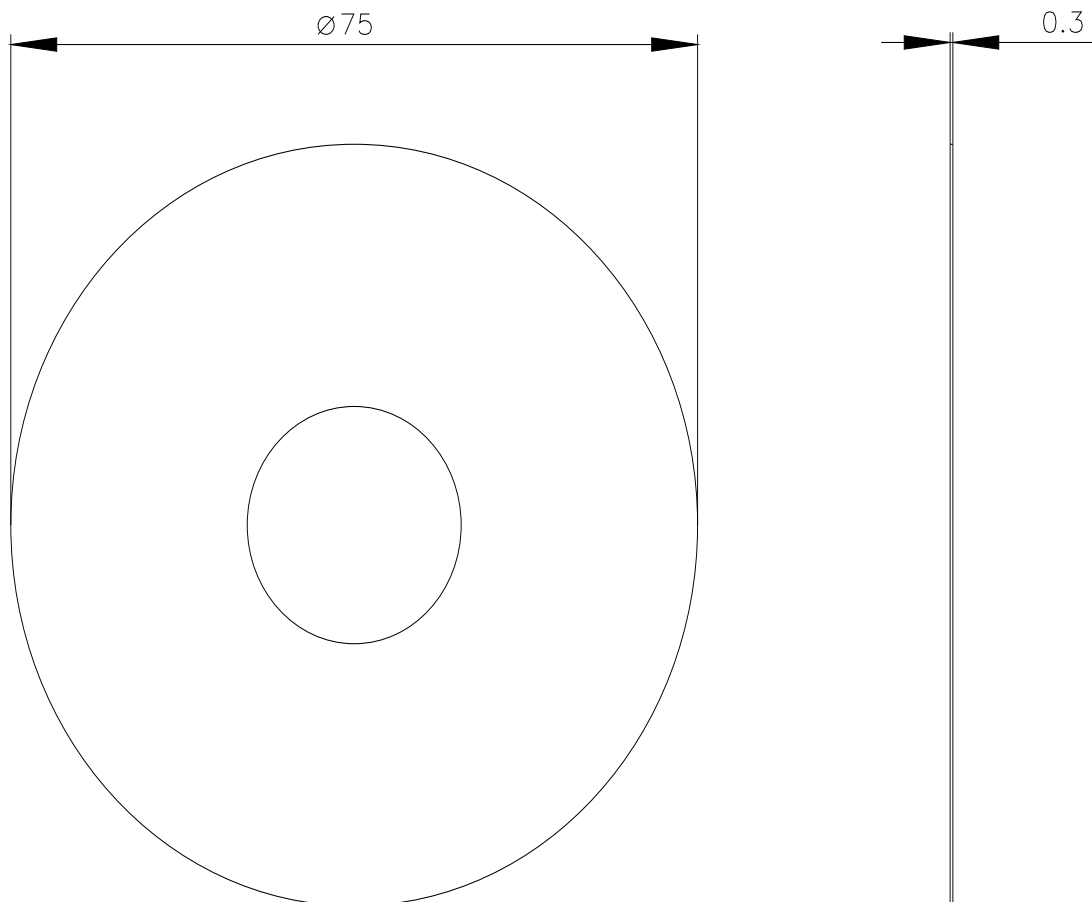
<http://support.automation.siemens.com/WW/CAXorder/default.aspx?lang=en&mlfb=3SU1900-0BC31-0MA0>

Service&Support (Manuals, Certificates, Characteristics, FAQs,...)

<https://support.industry.siemens.com/cs/ww/en/ps/3SU1900-0BC31-0MA0>

Image database (product images, 2D dimension drawings, 3D models, device circuit diagrams, EPLAN macros, ...)

http://www.automation.siemens.com/bilddb/cax_de.aspx?mlfb=3SU1900-0BC31-0MA0&lang=en



last modified:

3/29/2022 