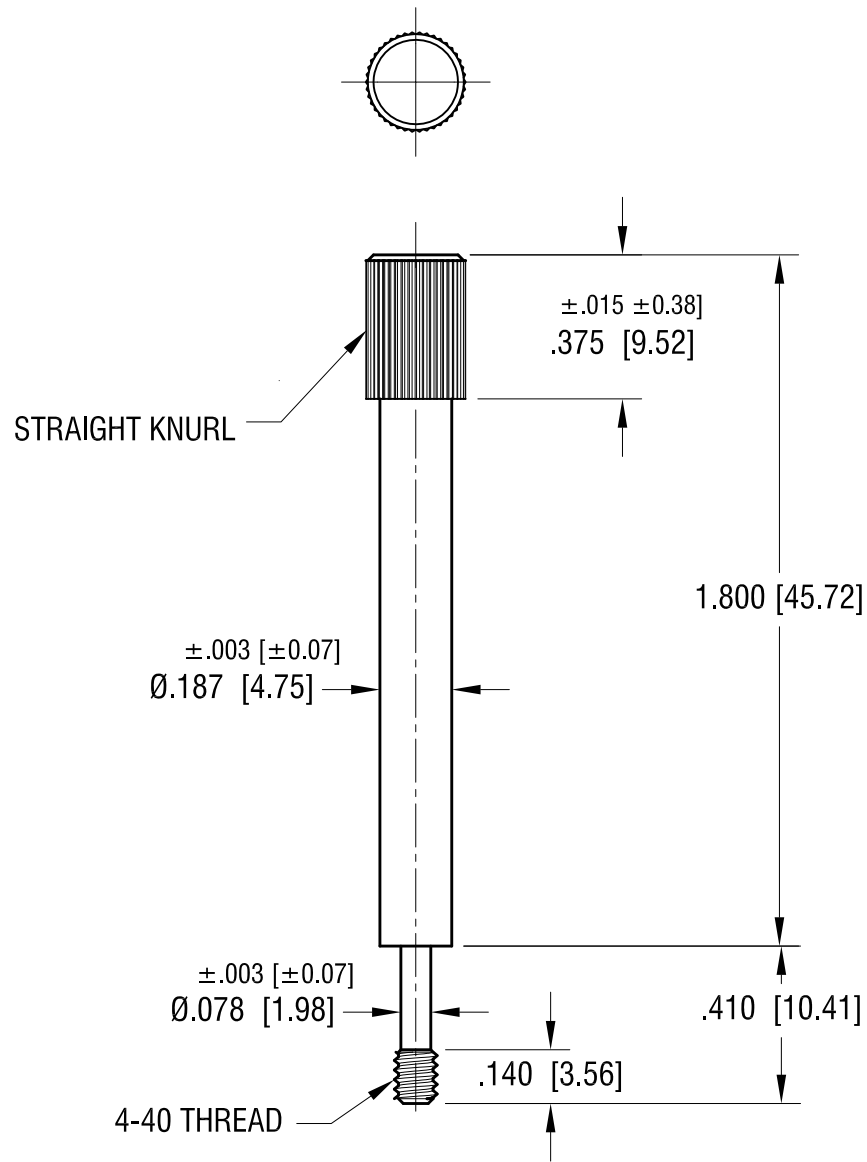


THIS DOCUMENT IS THE PROPERTY OF  
KEYSTONE ELECTRONICS CORP. AND  
SHALL NOT BE REPRODUCED, DISTRIBUTED  
OR USED AS A BASIS FOR MANUFACTURE  
WITHOUT PRIOR WRITTEN PERMISSION  
FROM KEYSTONE ELECTRONICS CORP.

ACTUAL SIZE



|          |                            |      |
|----------|----------------------------|------|
| 12.18.23 | CHANGE AS PER ECN 23-317   | B    |
| 1.3.00   | CHANGED PER PER ECN 00-002 | A    |
| DATE     | DESCRIPTION                | REV. |

|  |                 |        |         |
|--|-----------------|--------|---------|
| <b>KEYSTONE ELECTRONICS CORP.</b>                              |                 |        |         |
| www.keyelco.com • NEW HYDE PARK, NY 11040 • Tel (516) 328-7500 |                 |        |         |
| PART NAME  |                 |        |         |
| JACK SCREW , TURNABLE  |                 |        |         |
| MATERIAL   |                 |        |         |
| STEEL  |                 |        |         |
| FINISH   |                 | DRN BY | DATE    |
| ZINC PLATE   |                 | BOONE  | 1.19.96 |
|  |                 | APP'D  | SCALE   |
|  |                 | RH     | 2X      |
| TOLERANCES   | INCH [MM]       | CODE   | DWG NO. |
| DECIMAL  | ± .010 [± 0.25] | C      | 2072    |
| ANGULAR  | ± 1°            |        |         |
| UNLESS OTHERWISE SPECIFIED                                     |                 |        |         |