



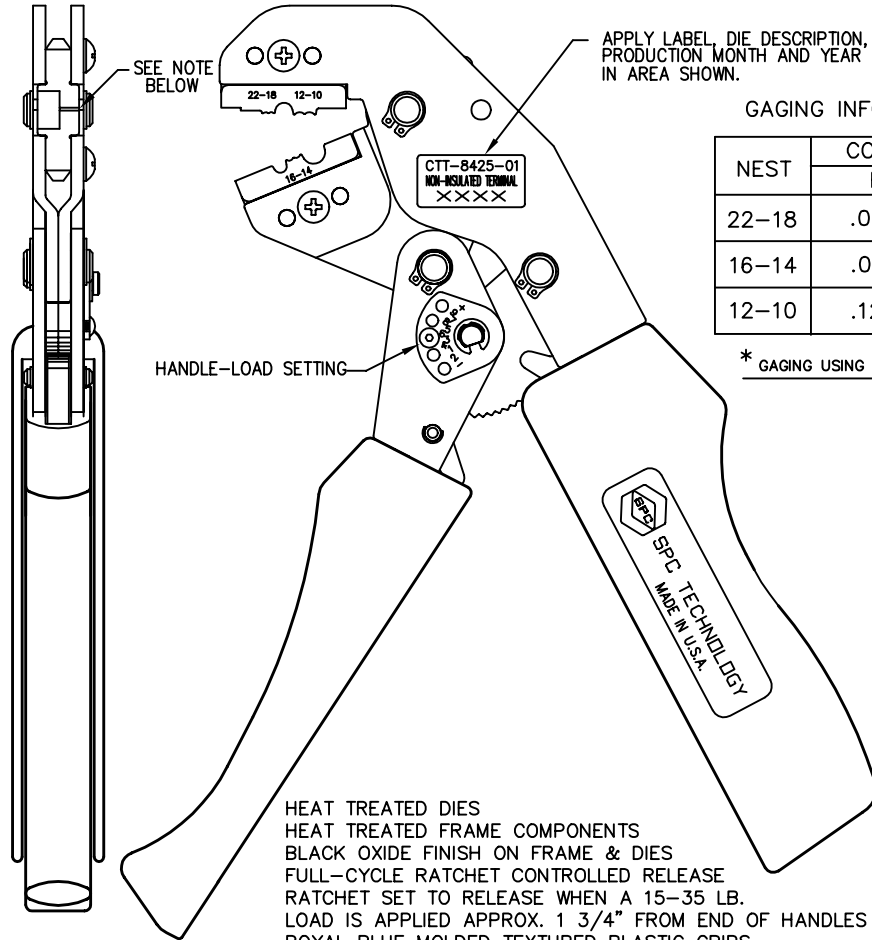
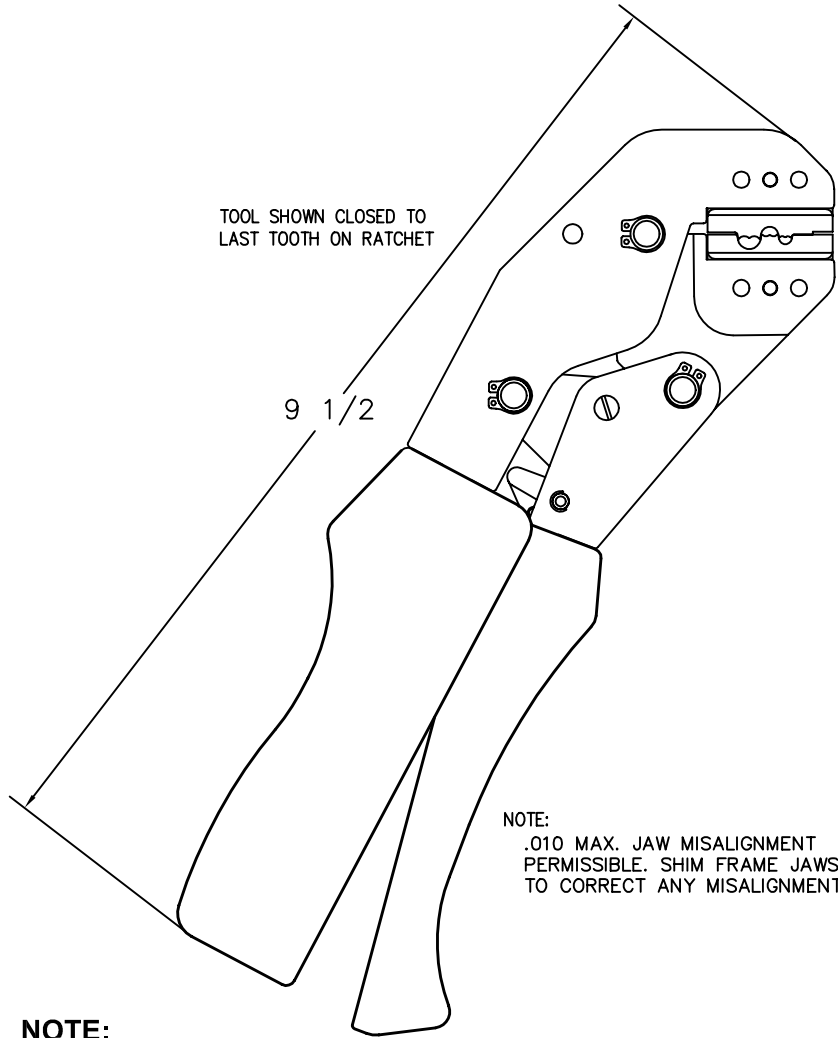
ALL RIGHTS RESERVED. NO PORTION OF THIS PUBLICATION, WHETHER IN WHOLE OR IN PART CAN BE REPRODUCED WITHOUT THE EXPRESS WRITTEN CONSENT OF SPC TECHNOLOGY.

SPC-F005.DWG

REVISIONS

DOC. NO. SPC-F005 * Effective: 7/8/02 * DCP No: 1398

DCP #	REV	DESCRIPTION	DRAWN	DATE	CHECKD	DATE	APPRVD	DATE
1322	C	Electronic file renamed	JWM	2/11/02	JC	2/21/02	JC	2/21/02
1635	D	add: "Not for Disconnect Terminals"	JWM	10/15/03	DJC	10/15/03	DJC	10/15/03



GAGING INFORMATION

NEST	CONDUCTOR HEIGHT
22-18	.079/.075
16-14	.093 REF.
12-10	.125 REF.

* GAGING USING WIRE SOLDER

NOTE:
Not for use with Quick Disconnect terminals.
 Order die set type no. SPC12938 separately for disconnects

DISCLAIMER:
 ALL STATEMENTS AND TECHNICAL INFORMATION CONTAINED HEREIN ARE BASED UPON INFORMATION AND/OR TESTS WE BELIEVE TO BE ACCURATE AND RELIABLE. SINCE CONDITIONS OF USE ARE BEYOND OUR CONTROL, THE USER SHALL DETERMINE THE SUITABILITY OF THE PRODUCT FOR THE INTENDED USE AND ASSUME ALL RISK AND LIABILITY WHATSOEVER IN CONNECTION THEREWITH.

TOLERANCES:
 UNLESS OTHERWISE SPECIFIED, DIMENSIONS ARE FOR REFERENCE PURPOSES ONLY.

DRAWN BY:	DATE:
J. Cole	12/18/91
CHECKED BY:	DATE:
JOHN COLE	11/17/97
APPROVED BY:	DATE:
BRETT BRAATZ	11/17/97

DRAWING TITLE: NON-INSULATED TERMINAL CRIMP TOOL			
SIZE	DWG. NO.	ELECTRONIC FILE	REV
A	CTT-8425-01	84N1441.dwg	D
SCALE: NTS		U.O.M.: INCHES [mm]	SHEET: 1 OF 1