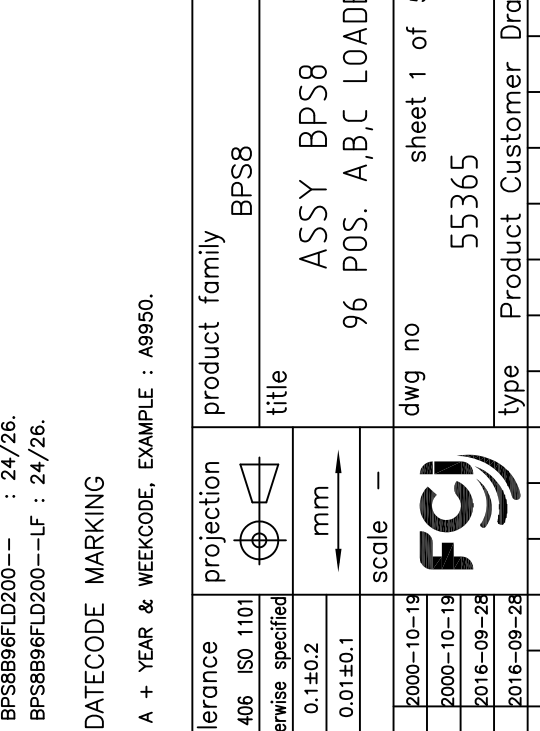
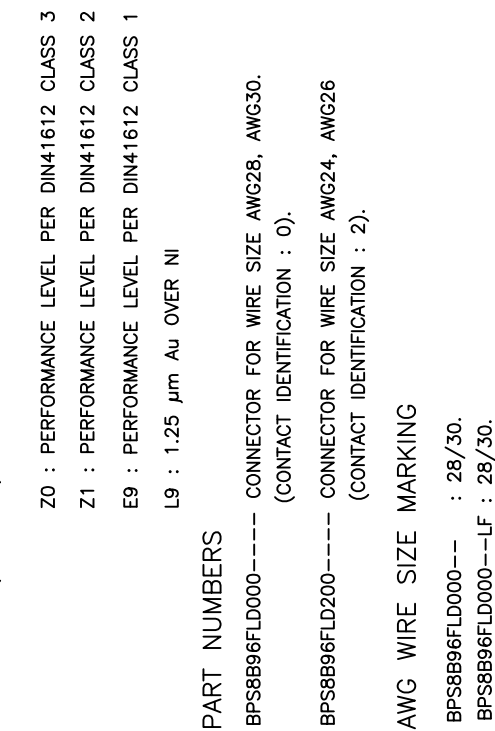
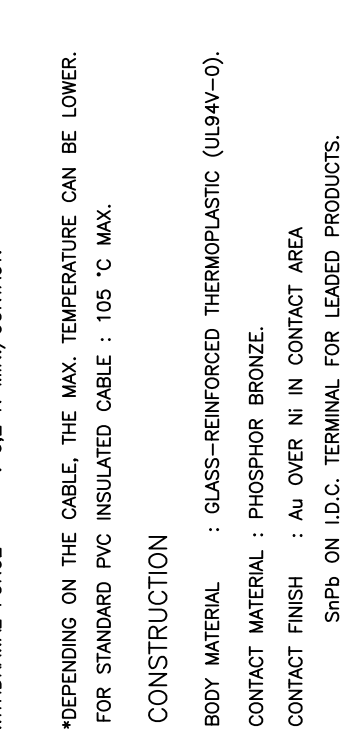


**PRODUCT NUMBER** BPS8B96FLD-00-  
**WIRE ACCOMODATION**  

PRODUCT NUMBER	WIRE SIZE	CONTACT IDENTIFICATION
BPS8B96FLD000--	AWG28/30	0
BPS8B96FLD200--	AWG24/26	2

**CONTACT PLATING**  

PLATING CODE	PERFORMANCE LEVEL PER DIN41612
Z0	CLASS 3
Z1	CLASS 2
E9	CLASS 1
L9	-



**NOTES:-**  
 1. THE "LF" PRODUCTS MEET EUROPEAN UNION DIRECTIVES AND OTHER COUNTRY REGULATIONS AS DESCRIBED IN GS-22-008  
 2. LEAD FREE OR ROHS DIRECTIVE LABELING TO BE PROVIDED AS PER GS-14-920 FOR ROHS COMPATIBLE VERSION.

**PERFORMANCES CHARACTERISTICS**  
 VOLTAGE RATING : 250 VAC (rms) OF INITIAL VALUE AFTER TEST.  
 CURRENT RATING : 1.5 A AT 25 °C, 1 A AT 70 °C.  
 INSULATION RESISTANCE : 1000MΩINITIAL, 100MΩMIN. AFTER TEST  
 DIELECTRIC WITH-  
 STANDING VOLTAGE : 1000 VAC (rms).  
 CONTACT RESISTANCE : 15mΩMAX. INITIAL, 5mΩMAX. RISE  
 OPERATING TEMPERATURE: -40 °C TO +125 °C.  
 INSERTION FORCE : 1 N MAX./CONTACT.  
 WITHDRAWAL FORCE : 0.2 N MIN./CONTACT.

\*DEPENDING ON THE CABLE, THE MAX. TEMPERATURE CAN BE LOWER.  
 FOR STANDARD PVC INSULATED CABLE : 105 °C MAX.  
**CONSTRUCTION**  
 BODY MATERIAL : GLASS-REINFORCED THERMOPLASTIC (UL94V-0).  
 CONTACT MATERIAL : PHOSPHOR BRONZE.  
 CONTACT FINISH : Au OVER Ni IN CONTACT AREA  
 SnPb ON I.D.C. TERMINAL FOR LEADED PRODUCTS.  
 Sn (MATTE TIN) ON I.D.C. TERMINAL FOR LEAD FREE PRODUCTS.

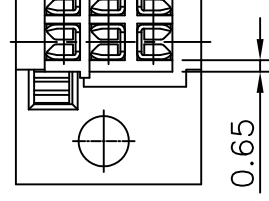
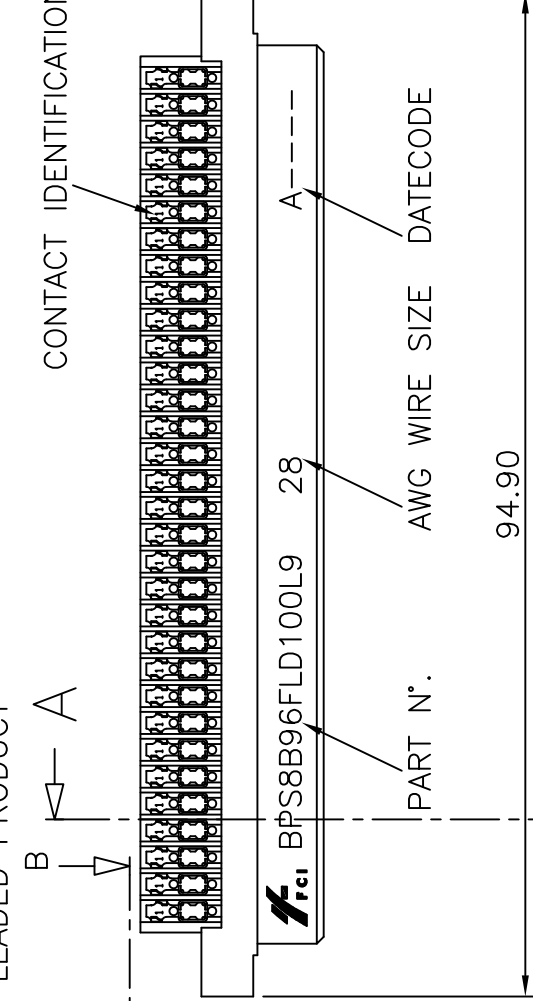
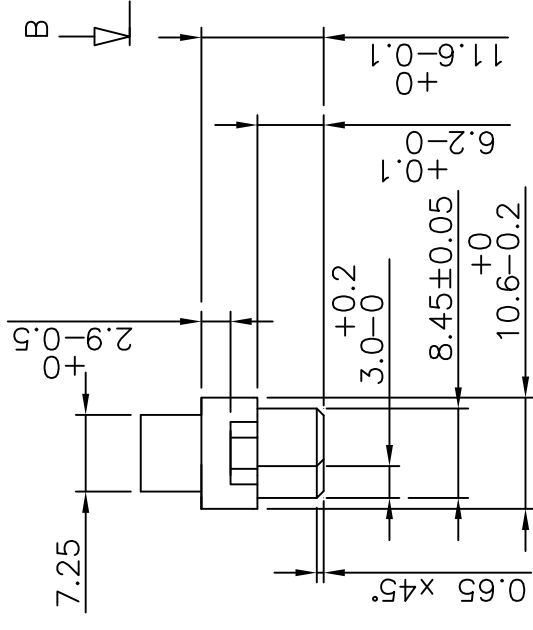
**PART NUMBERS**  
 BPS8B96FLD000----- CONNECTOR FOR WIRE SIZE AWG28, AWG30.  
 (CONTACT IDENTIFICATION : 0).  
 BPS8B96FLD200----- CONNECTOR FOR WIRE SIZE AWG24, AWG26  
 (CONTACT IDENTIFICATION : 2).  
**AWG WIRE SIZE MARKING**  
 BPS8B96FLD000--- : 28/30.  
 BPS8B96FLD000--LF : 28/30.  
 BPS8B96FLD200--- : 24/26.  
 BPS8B96FLD200--LF : 24/26.

**DATECODE MARKING**  
 A + YEAR & WEEKCODE, EXAMPLE : A9950.

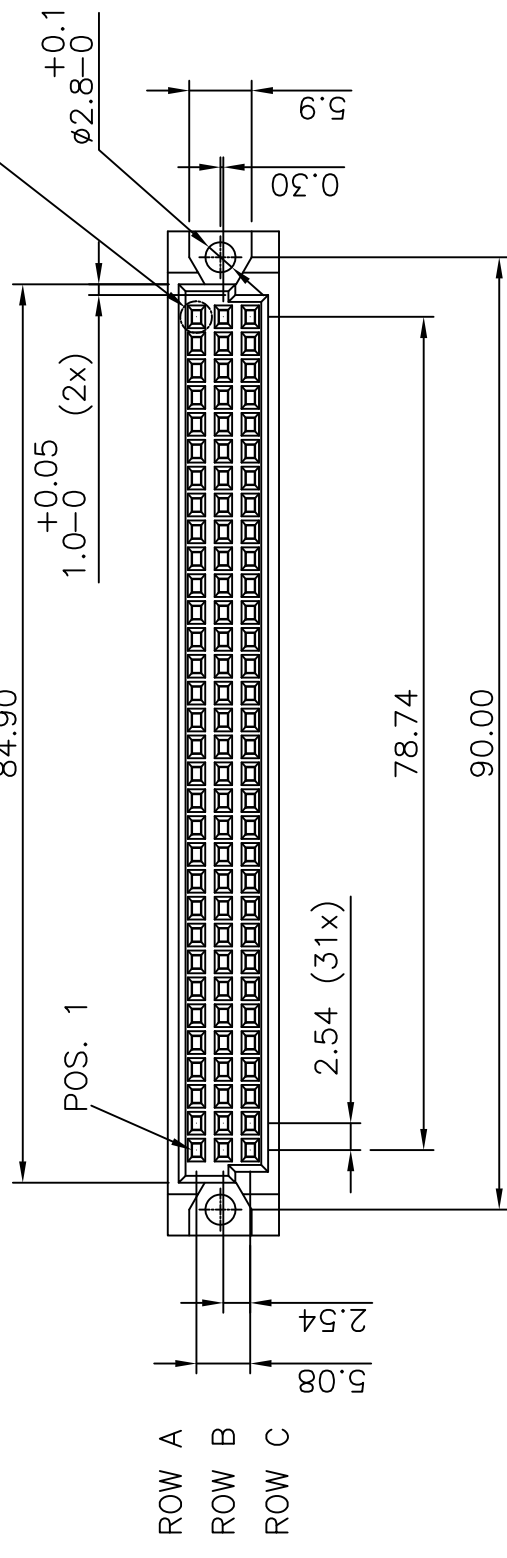
PRODUCT NUMBER **BPS8B96FLD100L9** LEADED PRODUCT **BPS8B96FLD100L9LF**

LEADED PRODUCT

LEAD FREE OR ROHS COMPATIBLE SECTION AA



VIEW BB



DETAIL B

**NOTES:**  
 1. THE "LF" PRODUCTS MEET EUROPEAN UNION DIRECTIVES AND OTHER COUNTRY REGULATIONS AS DESCRIBED IN GS-22-008  
 2. LEAD FREE OR ROHS DIRECTIVE LABELING TO BE PROVIDED AS PER GS-14-920 FOR ROHS COMPATIBLE VERSION.

**PERFORMANCES CHARACTERISTICS**

- VOLTAGE RATING : 250 VAC (rms)
  - CURRENT RATING : 1.5 A AT 25 °C, 1 A AT 70 °C.
  - INSULATION RESISTANCE : 1000MΩINITIAL, 100MΩMIN. AFTER TEST
  - DIELECTRIC WITH--
  - STANDING VOLTAGE : 1000 VAC (rms).
  - CONTACT RESISTANCE : 15mΩMAX. INITIAL, 5mΩMAX. RISE OF INITIAL VALUE AFTER TEST.
  - OPERATING TEMPERATURE\*: -40 °C TO +125 °C.
  - INSERTION FORCE : 1 N MAX./CONTACT.
  - WITHDRAWAL FORCE : 0.2 N MIN./CONTACT.
- \*DEPENDING ON THE CABLE, THE MAX. TEMPERATURE CAN BE LOWER.  
 FOR STANDARD PVC INSULATED CABLE : 105 °C MAX.

**CONSTRUCTION**

- BODY MATERIAL : GLASS-REINFORCED THERMOPLASTIC (UL94V-0).
- CONTACT MATERIAL : PHOSPHOR BRONZE.
- CONTACT FINISH : 1.25 μm Au MIN. OVER 2 μm Ni MIN. IN CONTACT AREA
- SnPb ON I.D.C. TERMINAL FOR LEADED PRODUCTS.
- Sn (MATTE TIN) ON I.D.C. TERMINAL FOR LEAD FREE PRODUCTS.
- CABLE : 3M FLEXIBLE TWISTED PAIR CABLE (WIRES & CABLE) TYPE 3782 PER UL STYLE/20488 OR TYPE 3783 PER UL STYLE/2935.
- PART NUMBERS  
 BPS8B96FLD100L9-- CONNECTOR FOR WIRE SIZE AWG28 (CONTACT IDENTIFICATION : 1).

**AWG WIRE SIZE MARKING**

BPS8B96FLD100L9 : 28.  
 BPS8B96FLD100L9LF : 28.

**DATECODE MARKING**

A + YEAR & WEEKCODE, EXAMPLE : A9950.

mat'l. code		surface	tolerance	projection	product family
ISO 1302	ISO 406 ISO 1101	ISO 1302	ISO 406 ISO 1101		BPS8
ecn no	dr	tolerances unless otherwise specified		mm	title
		angles	0.1±0.01		ASSY BPS8
		linear	0.01±0.05	scale	96 POS. A,B,C LOADED
		±0°30'			dwg no
		dr	D.LEGRAND 2000-10-20		sheet 2 of 5
		enrg	J.F.NOTTEAU 2000-10-20		A3
		chr	RAKHEE GEORGE 2006-06-01		55365
		appd	RAKHEE GEORGE 2006-06-01		Product Customer Drawing
sheet index	revision sheet				

**NOTES:**  
 1. THE "LF" PRODUCTS MEET EUROPEAN UNION DIRECTIVES AND OTHER COUNTRY REGULATIONS AS DESCRIBED IN GS-22-008  
 2. LEAD FREE OR ROHS DIRECTIVE LABELING TO BE PROVIDED AS PER GS-14-920 FOR ROHS COMPATIBLE VERSION.

WITH "LF" SUFFIX	LEAD FREE OR ROHS COMPATIBLE PRODUCT
WITHOUT SUFFIX	LEADED PRODUCT

**PERFORMANCES CHARACTERISTICS**

VOLTAGE RATING : 250 VAC (rms)  
 CURRENT RATING : 1.5 A AT 25 °C, 1 A AT 70 °C.  
 INSULATION RESISTANCE : 1000MΩINITIAL, 100MΩMIN. AFTER TEST  
 DIELECTRIC WITHSTANDING VOLTAGE : 1000 VAC (rms).  
 CONTACT RESISTANCE : 15mΩMAX. INITIAL, 5mΩMAX. RISE OF INITIAL VALUE AFTER TEST.  
 OPERATING TEMPERATURE\*: -40 °C TO +125 °C.  
 INSERTION FORCE : 1 N MAX./CONTACT.  
 WITHDRAWAL FORCE : 0.2 N MIN./CONTACT.

\*DEPENDING ON THE CABLE, THE MAX. TEMPERATURE CAN BE LOWER.  
 FOR STANDARD PVC INSULATED CABLE : 105 °C MAX.

**CONSTRUCTION**

BODY MATERIAL : GLASS-REINFORCED THERMOPLASTIC (UL94V-0).  
 COVER MATERIAL : POLYPHENYLENE (PPO), COLOUR : BLACK.  
 CONTACT MATERIAL : PHOSPHOR BRONZE.  
 CONTACT FINISH : Au OVER Ni IN CONTACT AREA  
 SnPb ON I.D.C. TERMINAL FOR LEADED PRODUCTS.  
 Sn (MATTE TIN) ON I.D.C. TERMINAL FOR LEAD FREE PRODUCTS.  
 Z0 : PERFORMANCE LEVEL PER DIN41612 CLASS 3  
 Z1 : PERFORMANCE LEVEL PER DIN41612 CLASS 2  
 E9 : PERFORMANCE LEVEL PER DIN41612 CLASS 1  
 OTHERS : CONSULT FCI

TIE-WRAP : OPTIONAL (PART N°. TF4)

**PART NUMBERS**

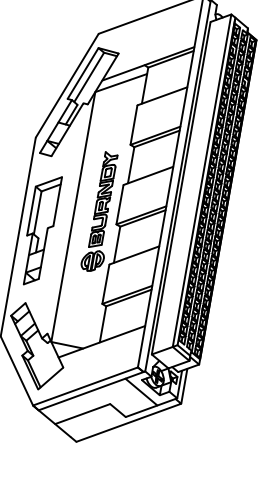
BPS8B96FLD0C0-----CONNECTOR FOR WIRE SIZE AWG28, AWG30.  
 (CONTACT IDENTIFICATION : 0).  
 BPS8B96FLD2C0-----CONNECTOR FOR WIRE SIZE AWG24, AWG26  
 (CONTACT IDENTIFICATION : 2).

**AWG WIRE SIZE MARKING**

BPS8B96FLD0C0-- : 28/30.  
 BPS8B96FLD0C0--LF : 28/30.  
 BPS8B96FLD2C0-- : 24/26.  
 BPS8B96FLD2C0--LF : 24/26.

**DATECODE MARKING**

A + YEAR & WEEKCODE, EXAMPLE : A9950.

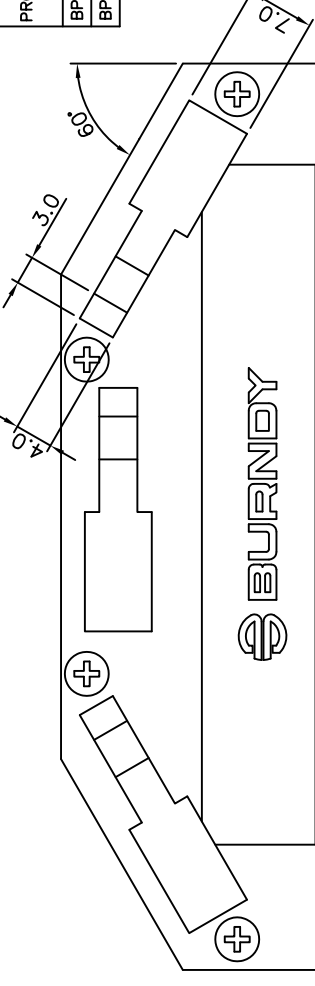


**CONTACT PLATING**

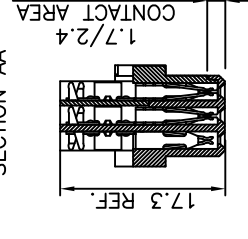
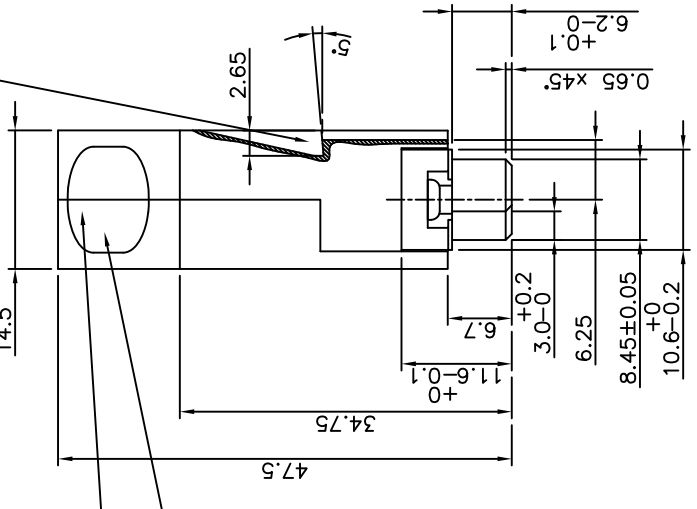
PLATING CODE	PERFORMANCE LEVEL PER DIN41612
Z0	CLASS 3
Z1	CLASS 2
E9	CLASS 1

**WIRE ACCOMMODATION**

PRODUCT NUMBER	WIRE SIZE	CONTACT IDENTIFICATION
BPS8B96FLD0C0---	AWG28/30	0
BPS8B96FLD2C0---	AWG24/26	2



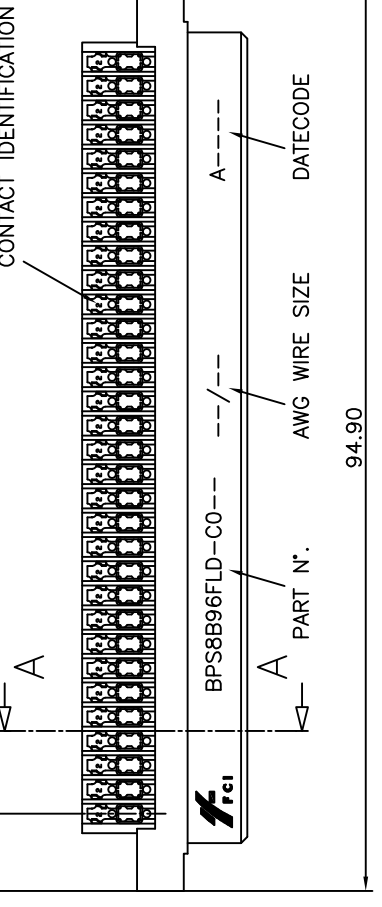
SPACE FOR LOCKING LATCH BPH8L0



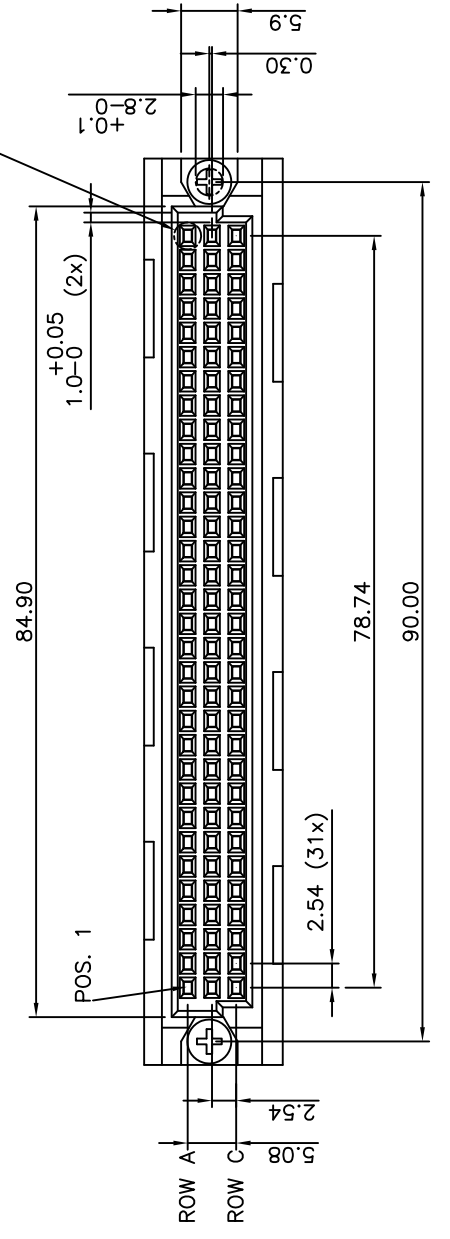
SECTION AA

DETAIL B

BREAK OFF TABS  
 CABLE Ø 14.0 MAX.



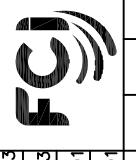
DETAIL B



Copyright FCI

Fconnect.com

mat'l. code	surface	tolerance	projection	product family
SEE NOTES	ISO 1302 ✓	ISO 406 ISO 1101		BPS8
itr	ecn no	dr	date	title
				ASSY BPS8
				96 POS. A,B,C LOADED
				dwg no
				sheet 3 of 5
				size
				A3
				55365
				type
				Product Customer Drawing



angles	linear	tolerances unless otherwise specified
±1°	0.1±0.2	0.01±0.1
dr	D.LEGRAND	2000-10-23
enrg	J.F.NOTTEAU	2000-10-23
chr	RAKHEE GEORGE	2006-06-01
appd	RAKHEE GEORGE	2006-06-01

sheet index	revision sheet

**NOTES:**  
 1. THE "LF" PRODUCTS MEET EUROPEAN UNION DIRECTIVES AND OTHER COUNTRY REGULATIONS AS DESCRIBED IN GS-22-008  
 2. LEAD FREE OR ROHS DIRECTIVE LABELING TO BE PROVIDED AS PER GS-14-920 FOR ROHS COMPATIBLE VERSION.

**PERFORMANCES CHARACTERISTICS**

VOLTAGE RATING : 250 VAC (rms)  
 CURRENT RATING : 1,5 A AT 25 °C, 1 A AT 70 °C.  
 INSULATION RESISTANCE : 1000MΩINITIAL, 100MΩMIN. AFTER TEST  
 DIELECTRIC WITH-  
 STANDING VOLTAGE : 1000 VAC (rms).  
 CONTACT RESISTANCE : 15mΩMAX. INITIAL, 5mΩMAX. RISE OF INITIAL VALUE AFTER TEST.  
 OPERATING TEMPERATURE\* : -40 °C TO +125 °C.  
 INSERTION FORCE : 1 N MAX./CONTACT.  
 WITHDRAWAL FORCE : 0.2 N MIN./CONTACT.  
 \*DEPENDING ON THE CABLE, THE MAX. TEMPERATURE CAN BE LOWER. FOR STANDARD PVC INSULATED CABLE : 105 °C MAX.  
**CONSTRUCTION**  
 BODY MATERIAL : GLASS-REINFORCED THERMOPLASTIC (UL94V-0).  
 CONTACT MATERIAL : PHOSPHOR BRONZE.  
 CONTACT FINISH : Au OVER Ni IN CONTACT AREA  
 Sn (MATTE TIN) ON I.D.C. TERMINAL FOR LEAD FREE PRODUCTS.

Z0 : PERFORMANCE LEVEL PER DIN41612 CLASS 3  
 Z1 : PERFORMANCE LEVEL PER DIN41612 CLASS 2  
 E9 : PERFORMANCE LEVEL PER DIN41612 CLASS 1

**PART NUMBERS**

BPS8B96ABD000----- CONNECTOR FOR WIRE SIZE AWG28, AWG30 (CONTACT IDENTIFICATION : 0).  
 BPS8B96ABD200----- CONNECTOR FOR WIRE SIZE AWG24, AWG26 (CONTACT IDENTIFICATION : 2).  
**AWG WIRE SIZE MARKING**  
 BPS8B96ABD000-- : 28/30.  
 BPS8B96ABD000--LF : 28/30.  
 BPS8B96ABD200-- : 24/26.  
 BPS8B96ABD200--LF : 24/26.

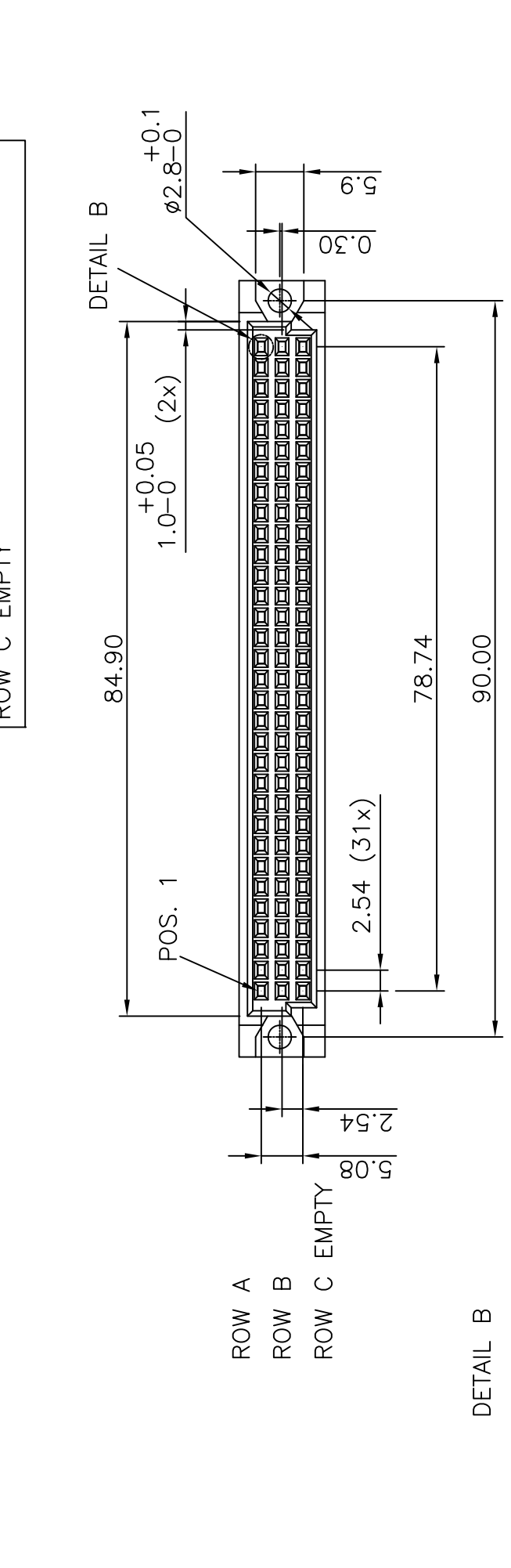
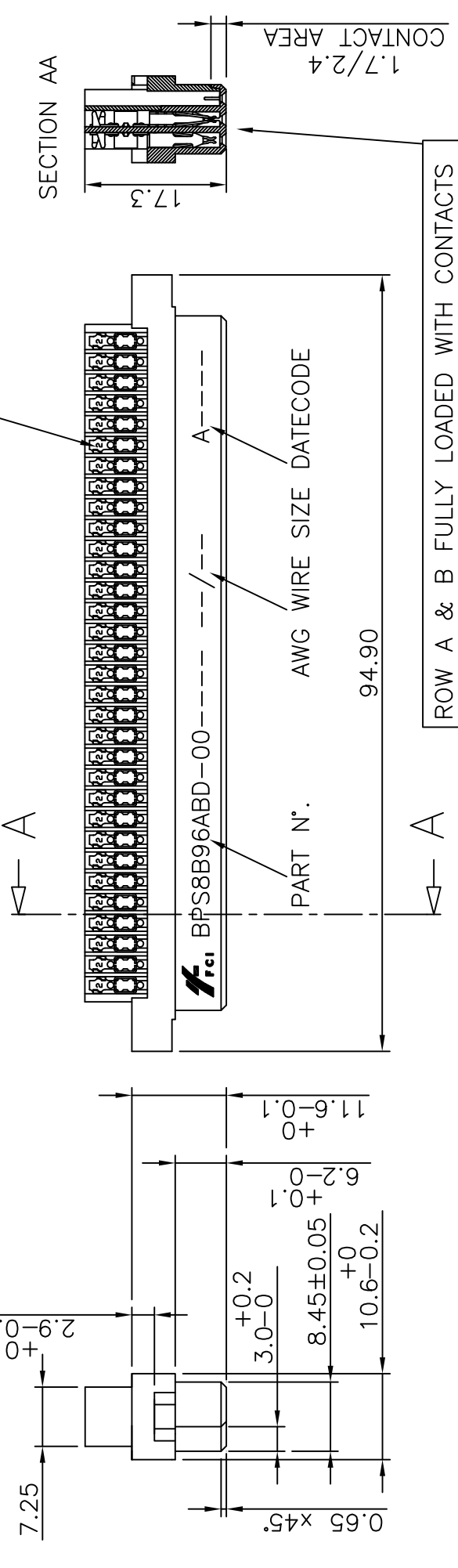
**DATECODE MARKING**

A + YEAR & WEEKCODE, EXAMPLE : A9950.

WITH "LF" SUFFIX	LEAD FREE OR ROHS COMPATIBLE PRODUCT
WITHOUT SUFFIX	LEADED PRODUCT

CONTACT PLATING	
PLATING CODE	PERFORMANCE LEVEL PER DIN41612
Z0	CLASS 3
Z1	CLASS 2
E9	CLASS 1

WIRE ACCOMODATION		
PRODUCT NUMBER	WIRE SIZE	CONTACT IDENTIFICATION
BPS8B96ABD000--	AWG28/30	0
BPS8B96ABD200--	AWG24/26	2



mat'l. code		surface		tolerance		projection		product family	
ISO 1302	ISO 406	ISO 1101	ISO 1101	ISO 1101	ISO 1101	ISO 1101	ISO 1101	BPS8	BPS8
ecn no	dr	date	tolerances unless otherwise specified			title			
F			linear	0.1±0.2	0.01±0.1	mm	ASSY BPS8		
			angles	±1°		scale	96 POS. A,B LOADED		
							dwg no sheet 4 of 5 size		
			dr	D.LEGRAND	2000-10-20		55365 A3		
			engr	J.F.NOTTEAU	2000-10-20		type Product Customer Drawing		
			chr	M.JACOB	2016-09-28				
			appd	BUJU K PAUL	2016-09-28				
sheet index	revision sheet								

**NOTES:**  
 1. THE "LF" PRODUCTS MEET EUROPEAN UNION DIRECTIVES AND OTHER COUNTRY REGULATIONS AS DESCRIBED IN GS-22-008  
 2. LEAD FREE OR ROHS DIRECTIVE LABELING TO BE PROVIDED AS PER GS-14-920 FOR ROHS COMPATIBLE VERSION.

**PERFORMANCES CHARACTERISTICS**

VOLTAGE RATING : 250 VAC (rms)  
 CURRENT RATING : 1.5 A AT 25 °C, 1 A AT 70 °C.  
 INSULATION RESISTANCE : 1000MΩINITIAL, 100MΩMIN. AFTER TEST  
 DIELECTRIC WITH-STANDING VOLTAGE : 1000 VAC (rms).  
 CONTACT RESISTANCE : 15mΩMAX. INITIAL, 5mΩMAX. RISE OF INITIAL VALUE AFTER TEST.  
 OPERATING TEMPERATURE\*: -40 °C TO +125 °C.  
 INSERTION FORCE : 1 N MAX./CONTACT.  
 WITHDRAWAL FORCE : 0.2 N MIN./CONTACT.  
 \*DEPENDING ON THE CABLE, THE MAX. TEMPERATURE CAN BE LOWER.  
 FOR STANDARD PVC INSULATED CABLE : 105 °C MAX.

**CONSTRUCTION**

BODY MATERIAL : GLASS-REINFORCED THERMOPLASTIC (UL94V-0).  
 COVER MATERIAL : POLYPHENYLENE (PPO), COLOUR : BLACK.  
 CONTACT MATERIAL : PHOSPHOR BRONZE.  
 CONTACT FINISH : Au OVER Ni IN CONTACT AREA  
 SnPb ON I.D.C. TERMINAL FOR LEADED PRODUCTS.  
 Sn (MATTE TIN) ON I.D.C. TERMINAL FOR LEAD FREE PRODUCTS.  
 Z0 : PERFORMANCE LEVEL PER DIN41612 CLASS 3  
 Z1 : PERFORMANCE LEVEL PER DIN41612 CLASS 2  
 E9 : PERFORMANCE LEVEL PER DIN41612 CLASS 1  
 OTHERS : CONSULT FCI

TIE-WRAP : OPTIONAL (PART N° TF4)

**PART NUMBERS**

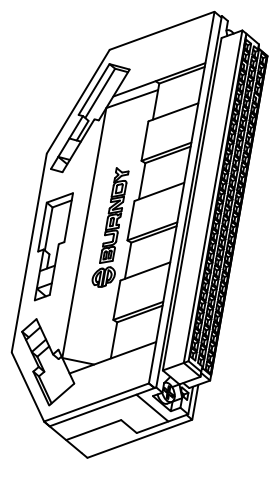
BPS8B96ABD0C0-----CONNECTOR FOR WIRE SIZE AWG28, AWG30.  
 (CONTACT IDENTIFICATION : 0).  
 BPS8B96ABD2C0-----CONNECTOR FOR WIRE SIZE AWG24, AWG26  
 (CONTACT IDENTIFICATION : 2).

**AWG WIRE SIZE MARKING**

BPS8B96ABD0C0--- : 28/30.  
 BPS8B96ABD0C0---LF : 28/30.  
 BPS8B96ABD2C0--- : 24/26.  
 BPS8B96ABD2C0---LF : 24/26.

**DATECODE MARKING**

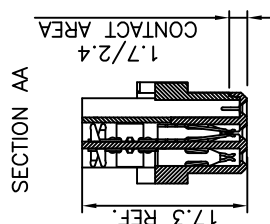
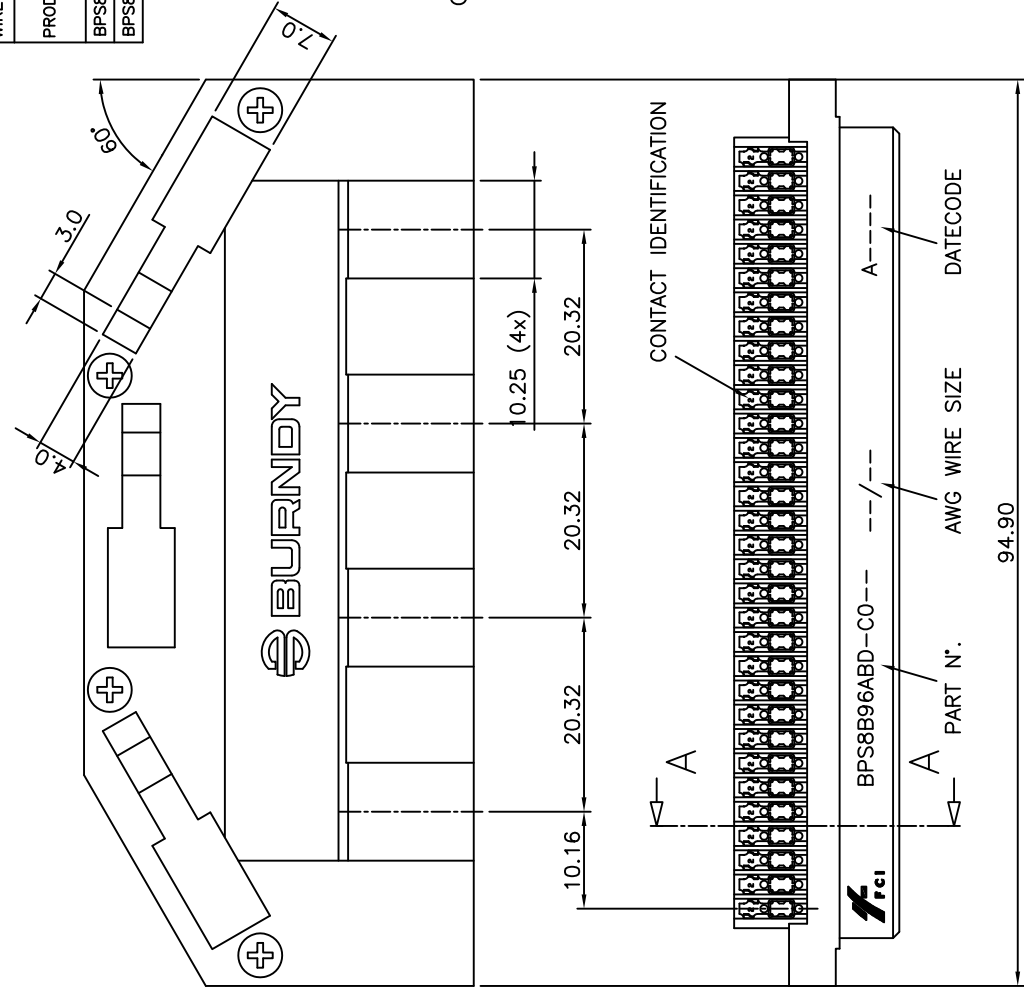
A + YEAR & WEEKCODE, EXAMPLE : A9950.



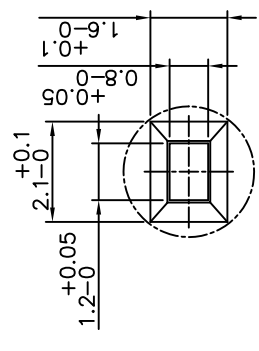
PRODUCT NUMBER		WITH "LF" SUFFIX		LEAD FREE OR ROHS COMPATIBLE PRODUCT	
BPS8B96ABD-CO-----		WITHOUT SUFFIX		LEADED PRODUCT	
PRODUCT NUMBER	WIRE SIZE	CONTACT IDENTIFICATION	PERFORMANCE LEVEL PER DIN41612		
BPS8B96ABD0C0---	AWG28/30	0	CLASS 3		
BPS8B96ABD2C0---	AWG24/26	2	CLASS 2		
			CLASS 1		

CONTACT PLATING	
PLATING CODE	PERFORMANCE LEVEL PER DIN41612
Z0	CLASS 3
Z1	CLASS 2
E9	CLASS 1

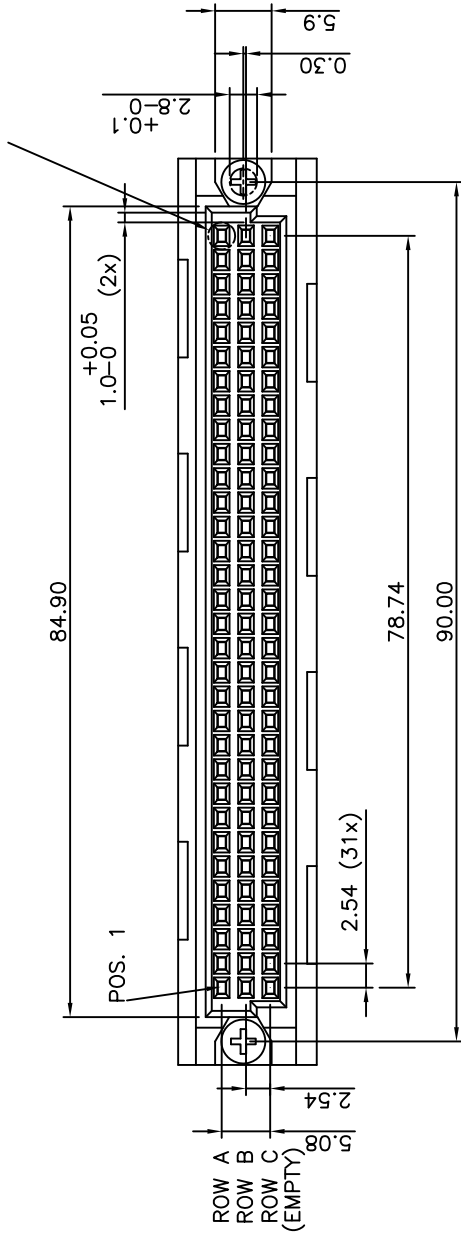
WIRE ACCOMMODATION	
PRODUCT NUMBER	CONTACT IDENTIFICATION
BPS8B96ABD0C0---	0
BPS8B96ABD2C0---	2



DETAIL B



DETAIL B



mat'l. code		surface		tolerance		projection		product family	
itr	ecn no	dr	date	ISO 1302	ISO 406	ISO 1101	ISO 1101	BPS8	BPS8
A				tolerances unless otherwise specified			mm	ASSY BPS8	96 POS. A,B LOADED
				linear	0.1±0.2		mm		dwg no
				angles	0.01±0.1		mm		sheet 5 of 5
				±1°					size
				dr	M JACOB	2016-09-28			A3
				enr	M JACOB	2016-09-28			55365
				chr	STALIN ALOSIUS	2016-09-28			Product Customer Drawing
				appd	BUU K PAUL	2016-09-28			
sheet index	revision	sheet							

